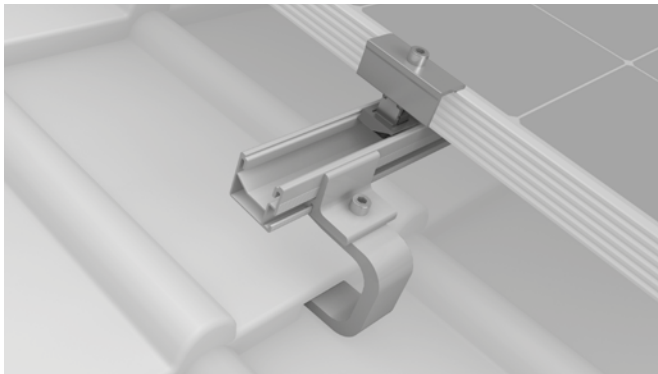




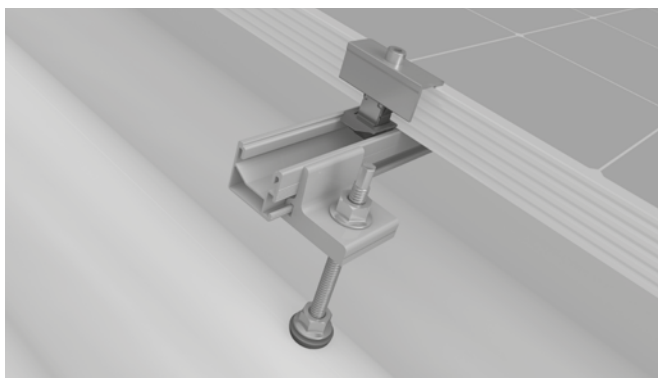
K2 SingleRail System

Extensive range of rails suitable for various load cases and many spans. Direct lateral connection to the rail enables fast and cost-effective installation. Individual height adjustment provides additional flexibility during installation.



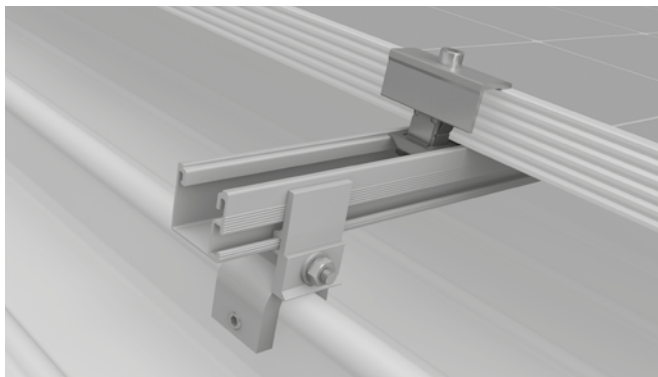
Roof tiles and slate

- Roof hooks for the majority of clay tiles, pantiles and concrete roof tiles
- Simple height adjustment on base plate, cantilever or on slotted hole connection
- 80% of all applications can be solved with SingleHook 3S or 4S



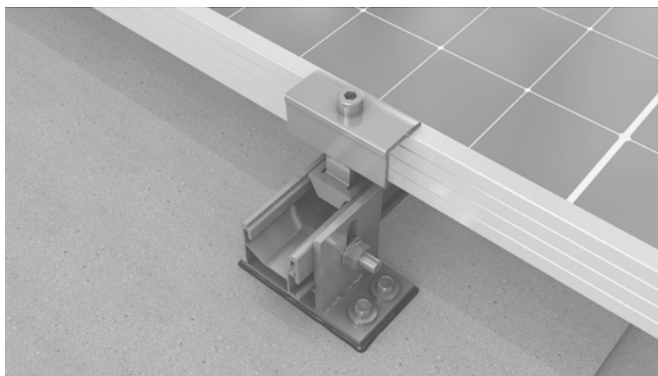
Corrugated fibre cement and corrugated sheet metal

- For all corrugated fibre cement and corrugated sheet metal roofing with wooden substructure
- Secure sealing on the roofing
- Climber connection
- abZ (general technical approval) in Germany



Standing seam

- Multitude of application possibilities: Double standing seam, angled seam, snap seam and round seam
- Direct lateral rail connection
- Penetration-free assembly



Bitumen

- Mounting with the SpliceFoot
- Fastening in the rafter or in the wooden boarding
- Watertight sealing due to butyl layer pre-mounted on the component



Further information,
all technical data and
components