



## Micro-Grid System



**MEGACUBE 100kW**  
**BATTERY ENERGY STORAGE SYSTEMS**



# MEGACUBE 100kW BATTERY ENERGY STORAGE SYSTEMS

128kWh / 192kWh / 256kWh / 320kWh / 384kWh

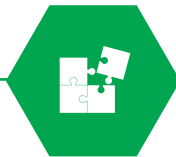
## Product Description

MEGACUBE 100kW Battery Energy Storage Systems have been created to be a install ready and cost effective on-grid, hybrid, off-grid commercial/ industrial battery energy storage systems.



### Multiple applications

Applications of the MEGACUBE include micro-grid, backup power, peak shaving, time of use bill management, frequency regulation, voltage support, renewable integration, and islanding.



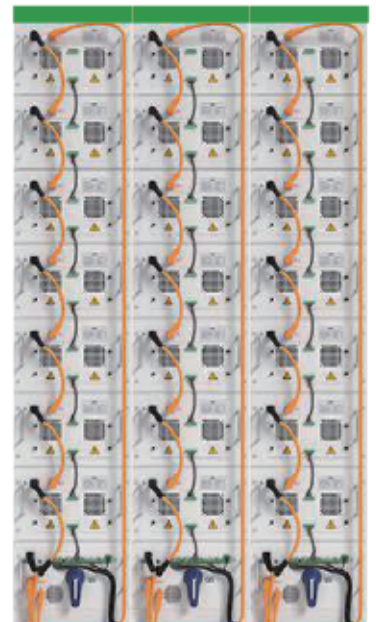
### Ready to fit anywhere

MEGACUBE 100kW battery energy storage solution is the ideal fit for light commercial applications. Each commercial BESS is manufactured to be install ready



### The future of BESS

Lithium Iron Phosphate (LiFePO4) battery systems connected at high voltage come with 5000 cycle warranty and up to 80% DOD (Depth of Discharge) @ 1C 25C





## **Large Scale Li-Ion Battery ESS (LFP) - About**

---

Each 100kW BESS is designed and shipped with the batteries pre-installed utilizing UN 3536 shipping standards. Each battery system container has a 100kW PV inverter pre-installed making it easy for completing your renewable energy project. Multiple functionality modes allows simple switching between Grid, PV, or Genset enabling better user control and stability.

All system systems are offered in either 400VAC or 480VAC 3 phase.

### **BESS Benefits**

---

- Pre-Installed System from Factory
- Simplified Installation
- PV & Genset Ready to Connect
- Demand Charge Reduction
- Energy Independence (w/PV)
- Peak Load Shifting
- Full Back Up Power
- Small Footprint to Power Ratio

### **Common Applications**

---

- Small Business' & Factories
- Farms
- Shopping and Distribution Centers
- Offices Buildings
- Schools and Libraries
- Island communities
- EV Stations

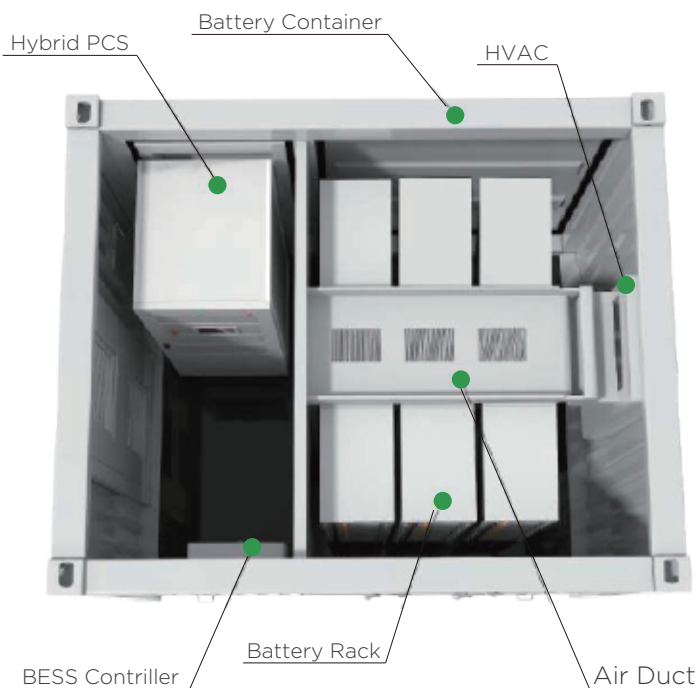
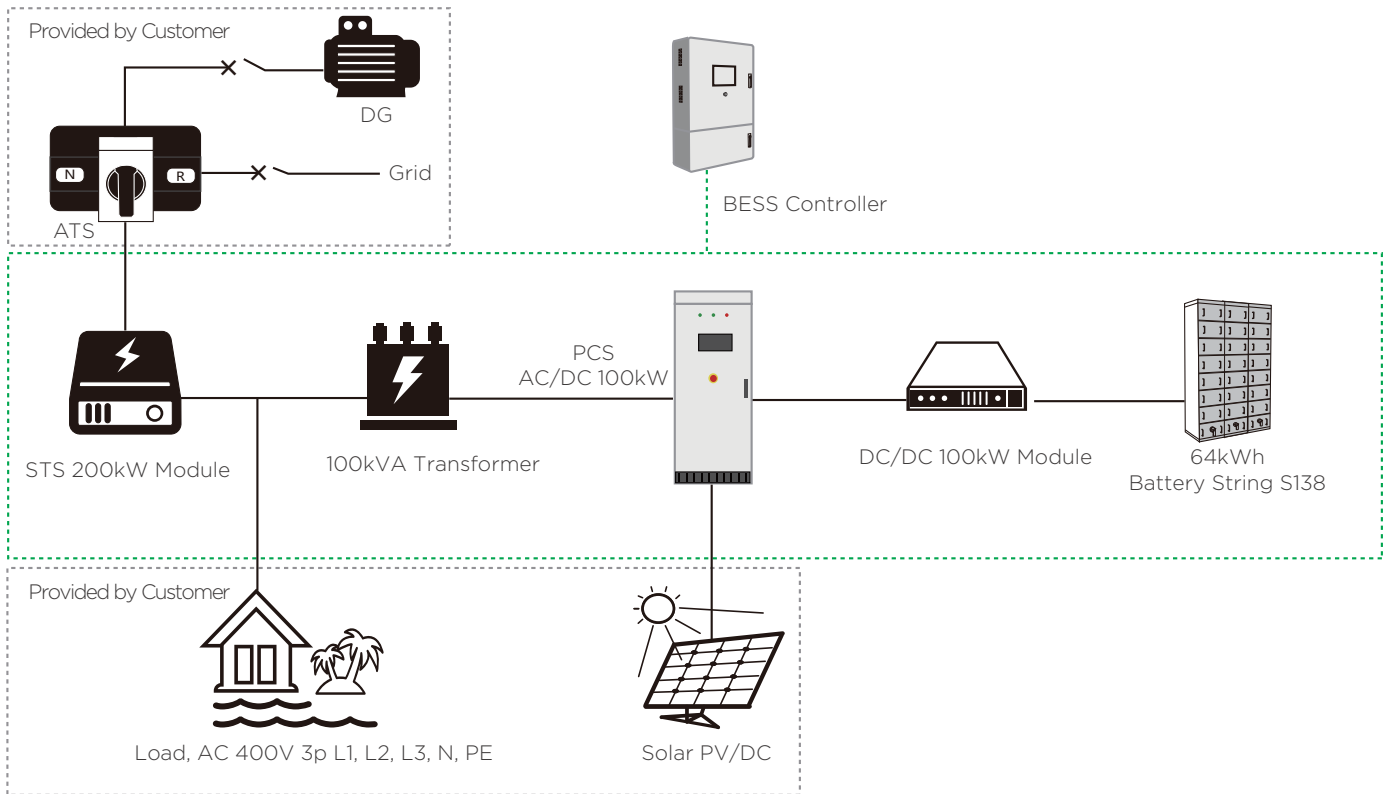
## MEGACUBE 100kW Battery Energy Storage Systems

Item	S-MGC100-128	S-MGC100-192	S-MGC100-256	S-MGC100-320	S-MGC100-384
<b>DC Data</b>					
Battery chemistry	Lithium Iron Phosphate (LFP)				
Cell life cycle	80% Retention with 5,000 Cycles @ 1C 25C				
Cell spec	3.2V/90Ah				
String configuration	2P112S				
Number of strings	2	3	4	5	6
Rack rated energy capacity	128kWh	192kWh	256kWh	320kWh	384kWh
DC rated energy capacity	129.0kWh	193.5kWh	258.0kWh	322.5kWh	387kWh
Rated voltage	358.4V				
Voltage range	313.6V-397.6V				
BMS communication interface	RS485, Ethernet				
BMS communication protocol	Modbus RTU, Modbus TCP				
<b>AC Data</b>					
Rated AC power	100kW				
Maximum AC power	110kW				
Rated grid voltage	400V				
Grid voltage range	±15%				
AC rate of current	144A				
Output THDi	≤3%				
AC PF	Listed: 0.8-1 leading or lagging (Controllable) Actual: 0.1-1 leading or lagging (Controllable)				
Grid frequency range	50/60±2.5Hz/59.5-60.5Hz				
Isolation method	3 Phase 4 Line Transformer				
<b>General Data</b>					
Dimension w/o clearances L*W*H	2,200*1,300*2,490mm		2,991*2,438*2,591mm		
Weight of the whole system	<3.7t	<4.8t	<5.8t	<6.6t	<7.5t
Degree of protection	IP54				
Operating temperature range	-20-40°C				
Relative humidity	0-95% (non-condensing)				
Max working altitude	3,000m/9,842ft				
Cooling concept of DC hatch	HVAC				
Communication interfaces	RS485, Ethernet, GPRS				
Certifications	UL1973, UL9540A, IEC62619, CE , UN38.3				



## MEGACUBE 100kW Battery Energy Storage Systems

Product Series	Part #	Energy (kWh)	PCS Power (kW)	Max PV (kW)	PV Voltage Range (V)	PV MPPT Inputs	Battery String	Number of Strings	Battery String (V)	DC/DC Converter (kW)	STS (kW)	Dimension w/o clearances (L*W*H) (mm)	Container Size (feet)
S-MGC100	M100-128	128	100	200	520 to 900	1	M138-7P9	2	358	100	200	2250 x 1300 x 2591	7'
	M100-192	192						3					
	M100-256	256						4					
	M100-320	320						5					
	M100-384	384						6				2991 x 2438 x 2591	10'



### BESS's Include:

- Battery Racks & Wiring (LFP)
- BESS Controller with Battery Management System
- High Voltage Units (BMS)
- 100kW Power Conversion System (PCS) (DC/AC)
- 100kW PV Inverter (DC/DC)
- 100kW Transformer
- 200kW STS (excludes N/A systems)
- 10 foot Storage Container
- HVAC System
- Fire Suppression System
- Installation Manuals, Certificates, Usage Guide, etc.

## MEGACUBE 100kW Battery Energy Storage Systems

Item	Data
Battery module	M138-7P9
Pack QTY	7
Nominal capacity	64kWh
Discharge cutoff voltage - Rated voltage - Charge cutoff voltage	314V-358V-398V
Pack	3.2V/90Ah@2P16S
String measuring voltage range	100-1,000V
String voltage detection accuracy	30.5%
String voltage sampling period	100ms
String measuring current range	+/-330A
String current detection accuracy	≤1%
String temperature detection accuracy	32C
SOC calculation accuracy	≤7%
Input insulation resistance	≥10MΩ, 1,000V DC
Communication	Ethernet, CAN, RS485
System cycle life	≥5,000 cycles@1C, 25°C
Dimension (W*D*H)	400*750*2,050mm
Weight	690kg
Certifications	UL1973, UL9540A, IEC62619, CE, UN38.3



**Battery String-S138**

- 1C Charge/Discharge
- The energy supply can be a single battery string or parallel battery strings
- Easy configuration and maintenance

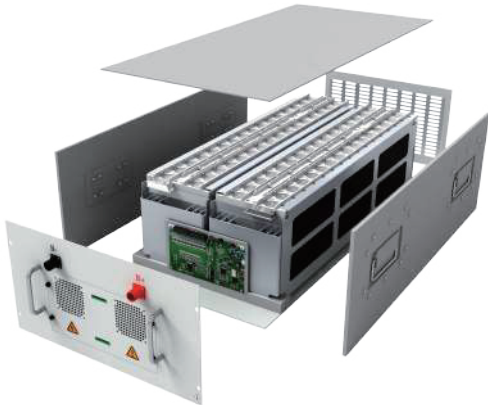
Item	Data
DC voltage range	250V-520V
PV voltage range	520V-900V
Maximum DC current	300A
Maximum PV current	384A
Rated output power	100kW
Rated grid voltage	400V
Grid voltage range	+/-15%
The frequency range of the power grid	50/60±2.5Hz
AC rated current	144A
AC PF	Actual: 0.1-1 leading or lagging (Controllable)
Off-grid voltage	400V
Off-grid voltage range	310%
Off-grid frequency	50/60Hz
Weight	750kg



**Power Conversion System**

- Single-stage three-level modularization
- Multi-branch input to reduce battery series and parallels connection
- PV, DGEN, and Grid ready

## MEGACUBE 100kW Battery Energy Storage Systems



**Battery Pack-P9**



TCP / RS485

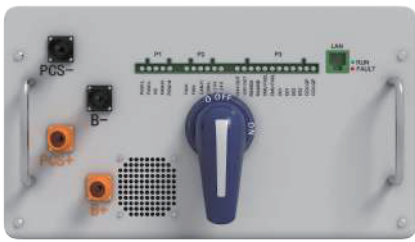


TCP / RS485



Life span >5,000 cycles @ 1C 25C

Item	Data
Capacity (kWh)	9.216kWh
Rated voltage	51.2V
Discharge cut-off voltage	44.8V
Charge cut-off voltage	56.8V
Cycle life	>6,000 cycles@0.5C 25°C
Voltage detection accuracy of battery cell	310 mV
Temperature detection accuracy of battery cell	±2°C
Balancing current of battery cell	≥150mA
Range of voltage measurement for battery cell	1-5 V
Battery balancing method	Passive balancing
Certifications	UL1973, IEC62619, UN38.3



**M138-HVU**



Multistage protection



Rich interface



Dual-channel power supply

Item	Data
Circuit breaker	160A-250A
Hall sensor	300A
Leakage current sensor	50mA
Fuse	250A
Error range of voltage detection accuracy	31%
Error range of Current detection accuracy	31%
Temperature detection accuracy	±2°C
Operating life	10 years
Certifications	UL1973



**BESS Controller**



Pre-engineered control strategy



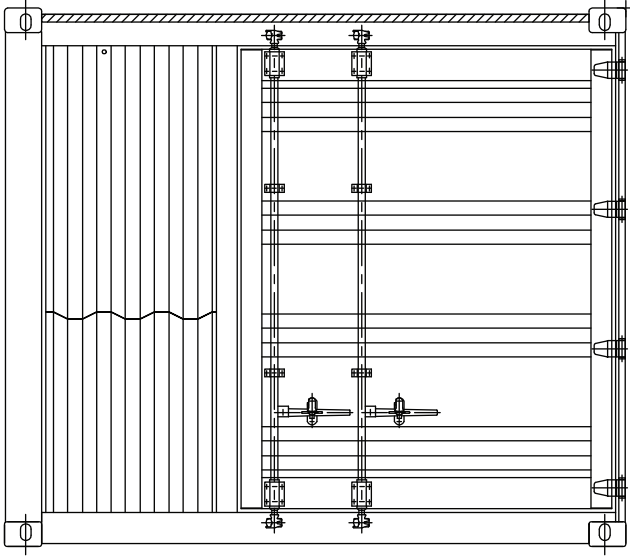
Easy configuration



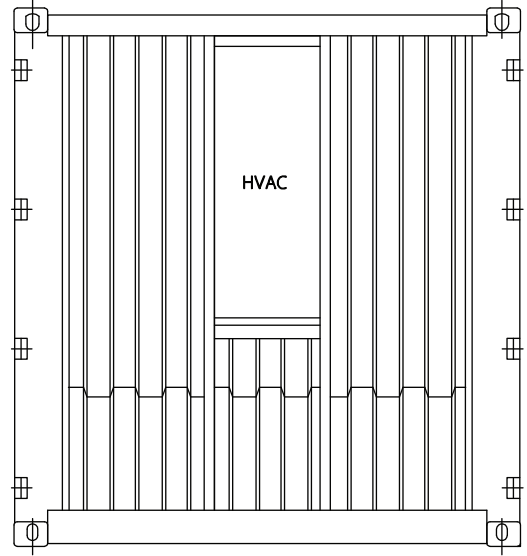
Cloud base data communication

Item	Data
Dimension (L*W*H)	600*600*200mm
Weight	35.5kg
Power interface	AC 220V, 50/60Hz
PCS communication	TCP/RS485
HVU communication	TCP/IP
HVAC communication	RS485
Grid control application	Time shifting, peak shaving, renewables moving average
Off-grid control application	Backup power, PV/DG/EV/ESS integrated micro-grid control
Battery management system	DC busbar incoming control

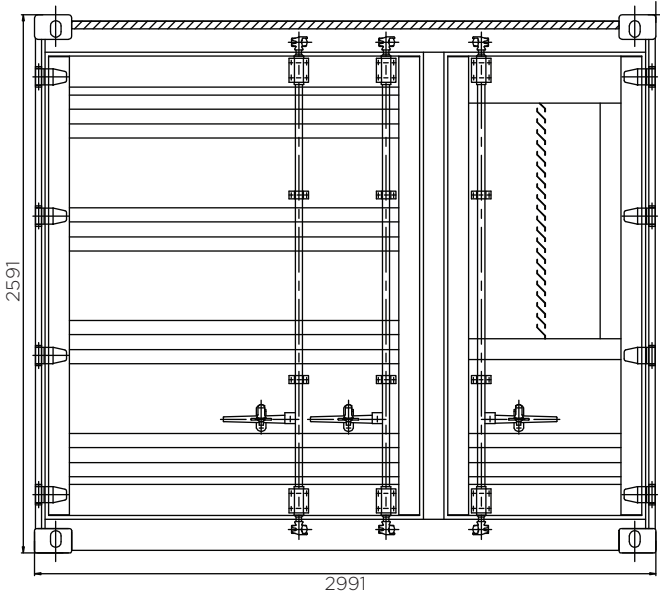
# MEGACUBE 100kW Battery Energy Storage Systems



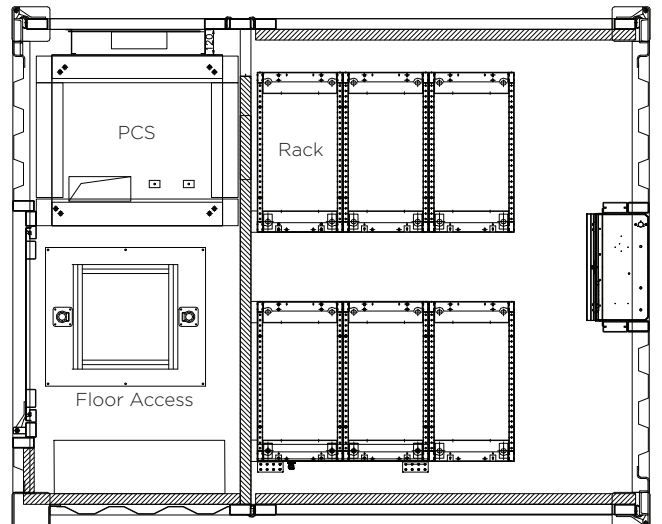
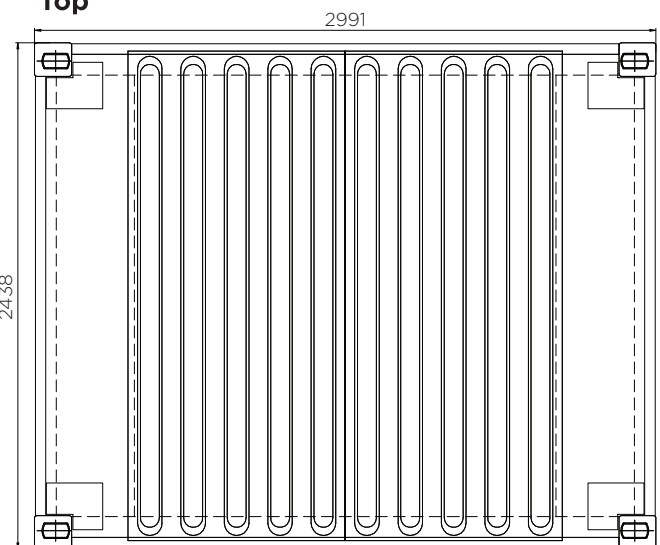
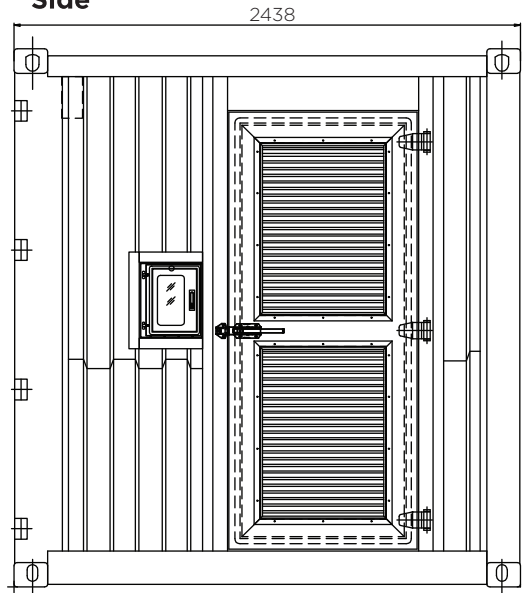
Front



Side

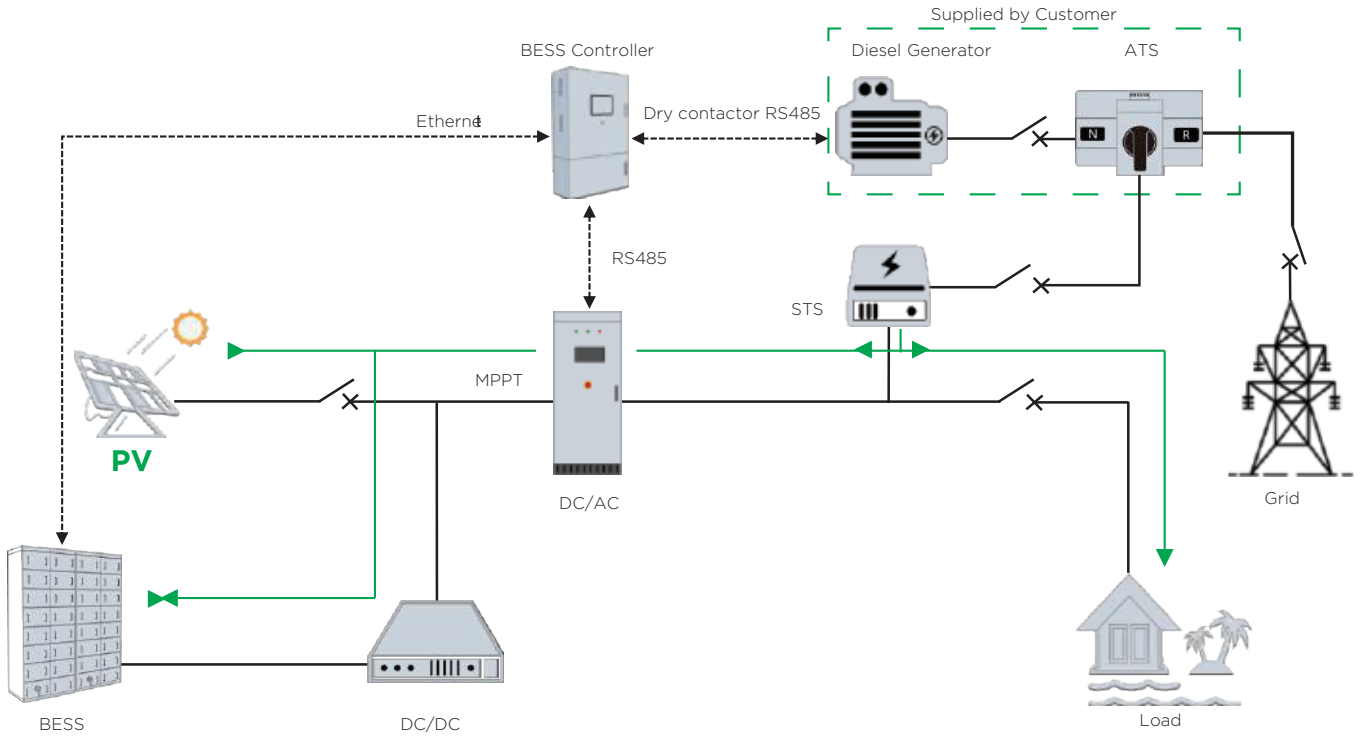


Top

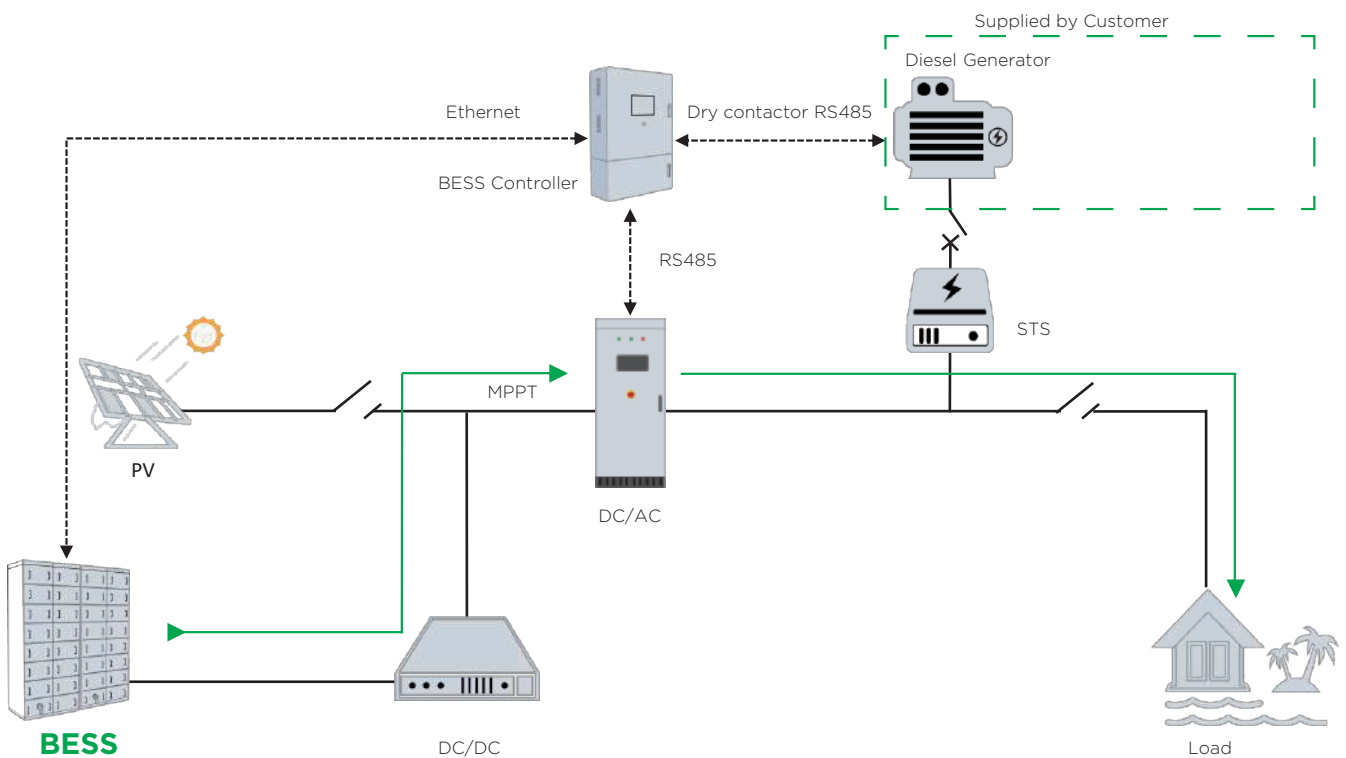


# MEGACUBE 100kW Battery Energy Storage Systems

## 1. PV & BESS Operation Off-Grid/Microgrid



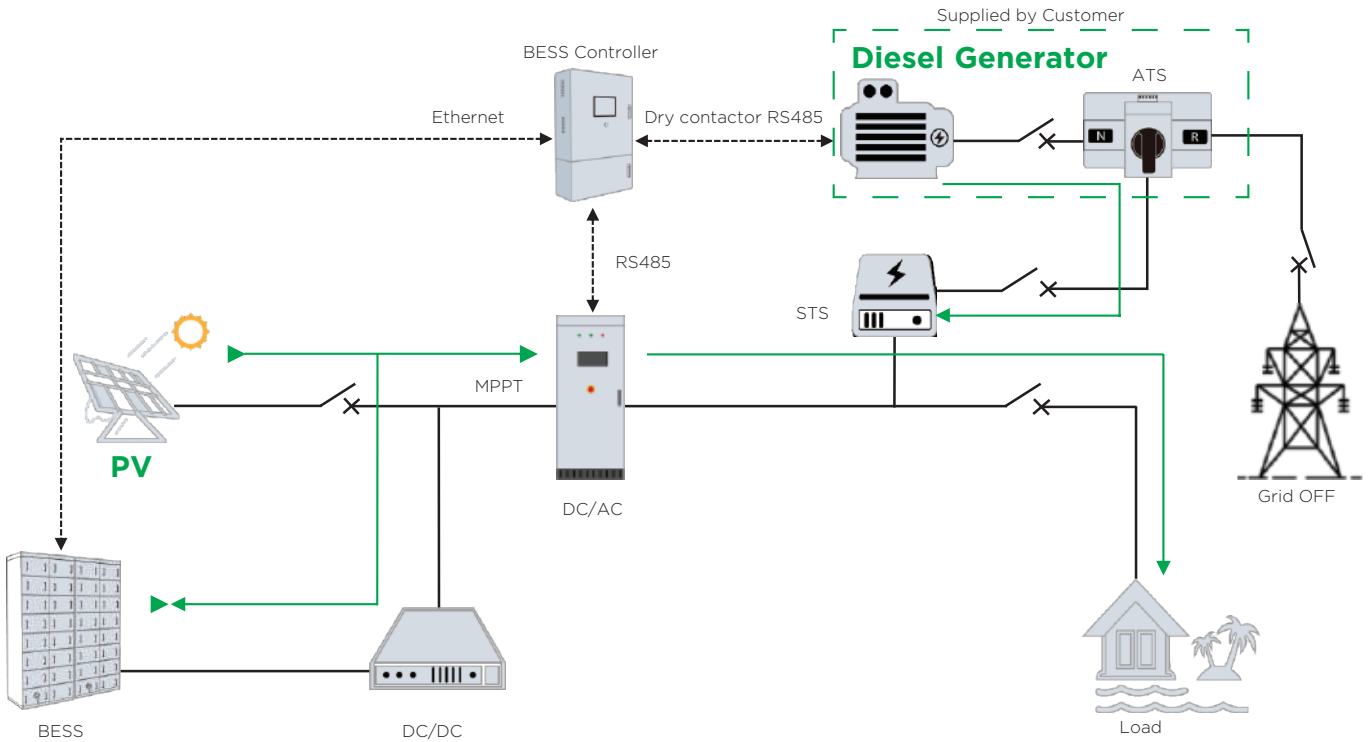
## 2. BESS Power Operation Off-Grid/Microgrid



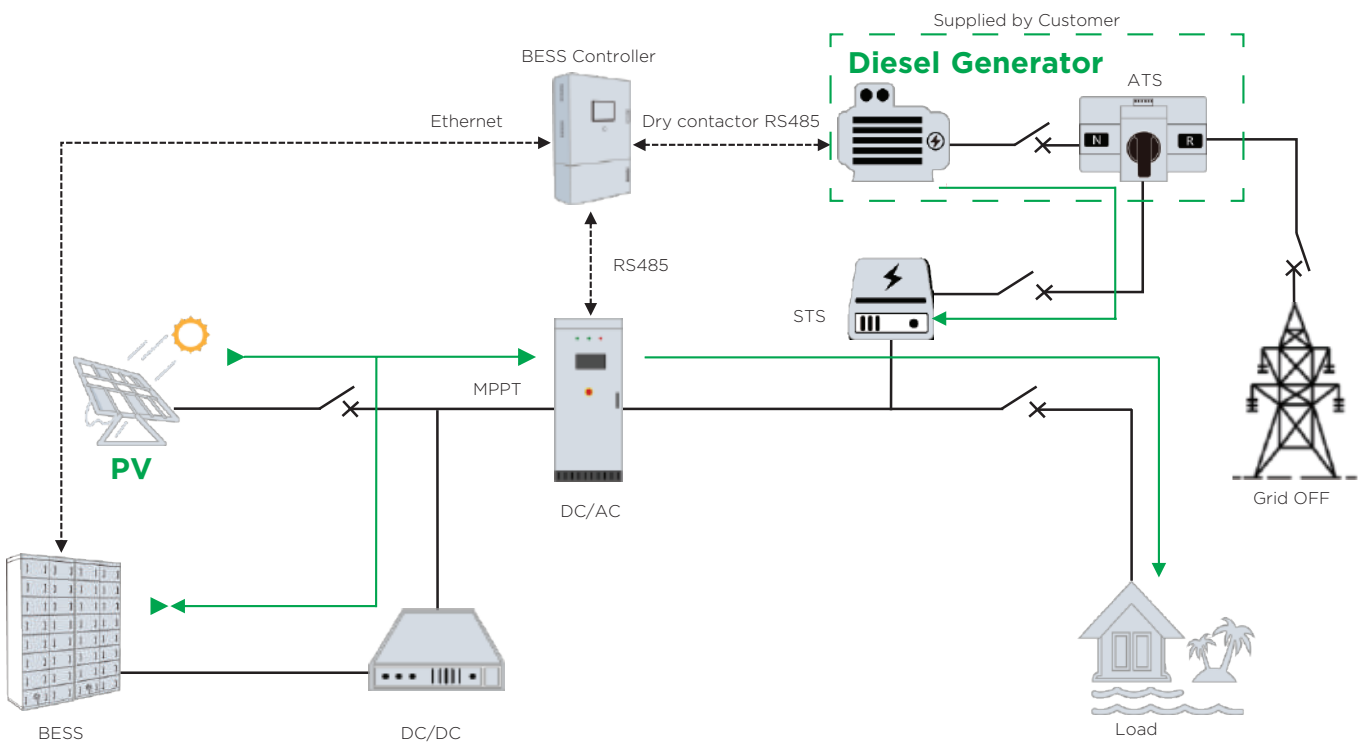


## MEGACUBE 100kW Battery Energy Storage Systems

### 3. Diesel Gen Power Operation Off-Grid/Microgrid

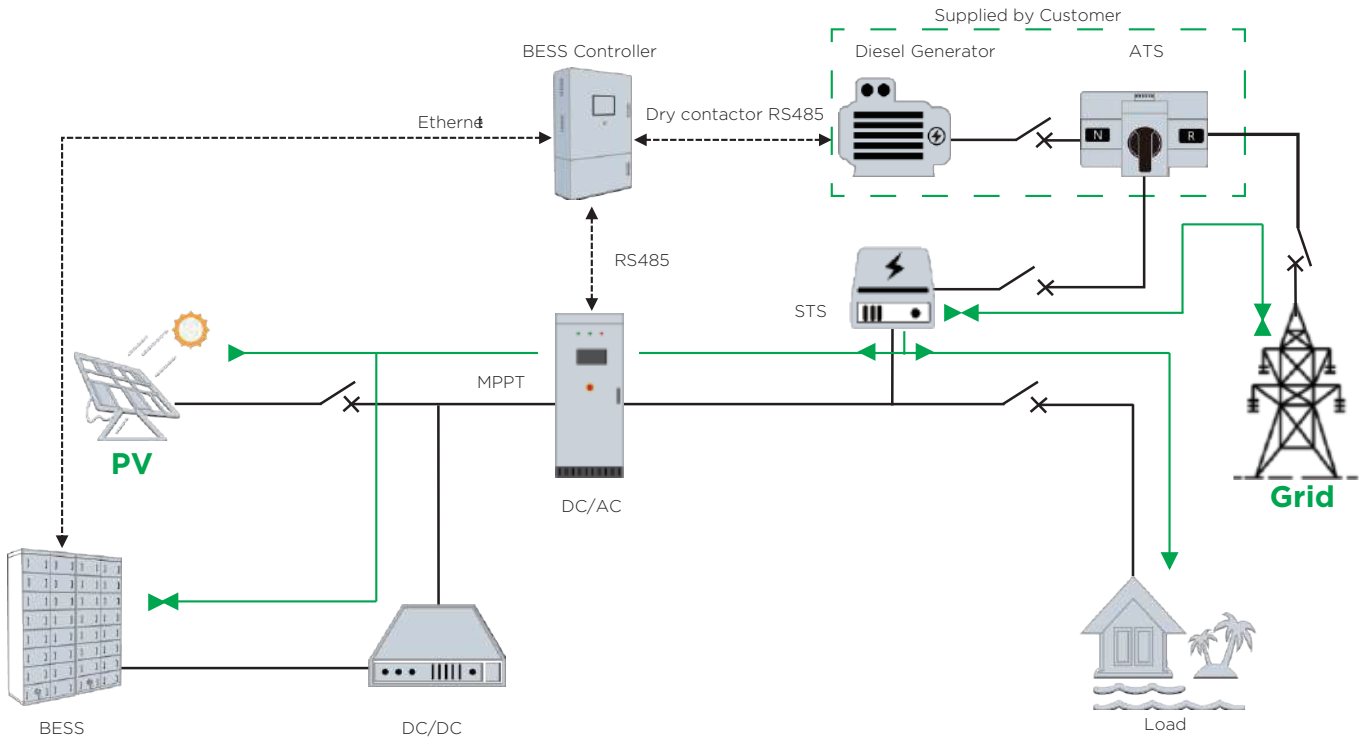


### 4. PV + Genset Operation Hybrid/Microgrid

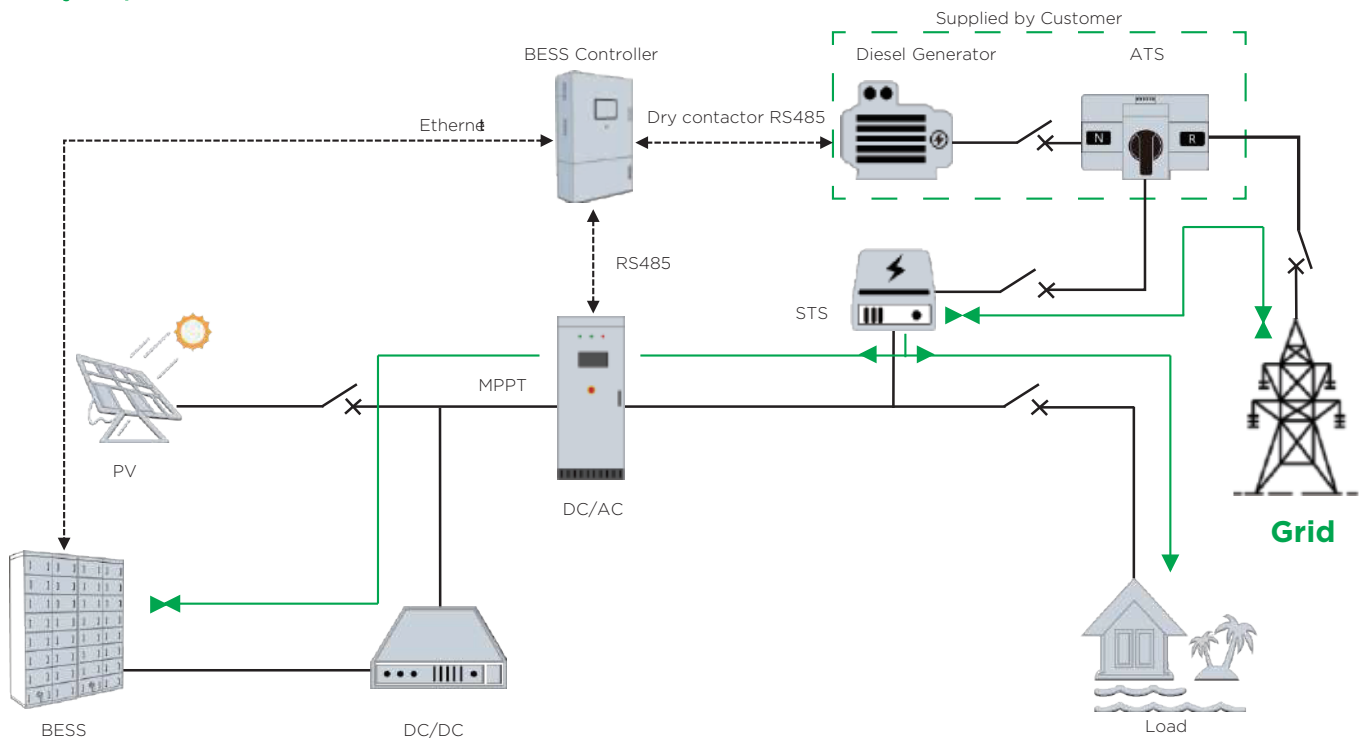


# MEGACUBE 100kW Battery Energy Storage Systems

## 5. PV + Grid Operation Hybrid/On-Grid



## 6. Grid Operation Hybrid/On-Grid





## BESS System Monitoring

A cloud based energy management system (EMS) monitors the loads at the PV power station, grid access point, and at the energy storage systems grid access point in real-time.

By monitoring real-time data, and taking safety & stability constraints into consideration, the cloud based EMS can dynamically adjust the energy storage system's charge/discharge strategies.





**Shinson**<sup>®</sup>  
*Technology Beyond Limits*

Shinson Technology Co.,Ltd

📍 Block#201,No.9 Chuangye Road,  
Changzhou,Jiangsu,PRC

✉ info@shinsontech.com

🌐 www.shinsontech.com

*Product dimensions and physical appearance in this brochure are nominal and are provided for the convenience of our customers. Shinson Group reserves the right to make changes from time to time,without prior notification,which may change the dimensions and physical appearance shown.*