



Monocrystalline Photovoltaic Module »

# LEPVV 80 HALF-CUT

## BLACK » 410 Wp

### QUALITY »



**80 cells**  
Half-Cut monocrystalline



**+21%**  
**Efficiency**  
Over 21% efficiency



**Fire resistance**  
Maximum protection



**+5W**  
Positive power tolerance



**Avoid losses**  
Better shading tolerance



**Load endurance**  
Front load / Back load

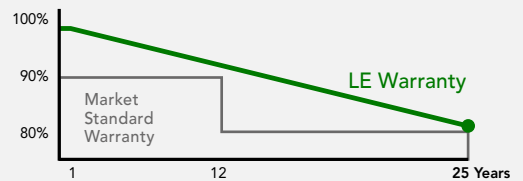


\*\*\* EUROPEAN QUALITY \*\*\*

### WARRANTIES »

**20 YEARS PRODUCT WARRANTY**  
+5 years for Premium Partners

**25 YEARS PERFORMANCE WARRANTY**  
Linear Warranty



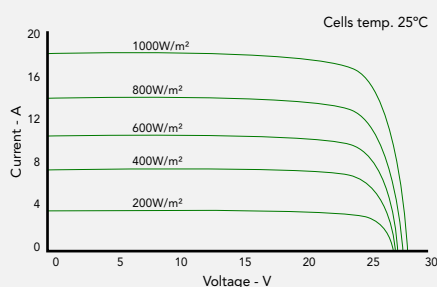
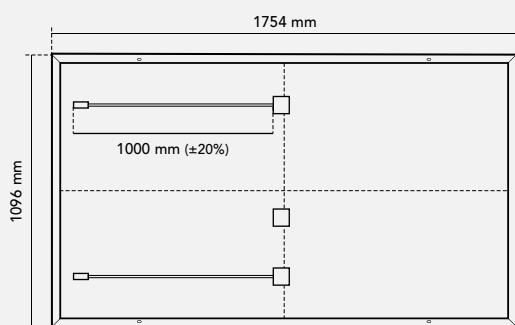
### CERTIFICATES »





## TECHNICAL FEATURES »

### LEPV 80 HALF-CUT 410Wp



#### FRAME

Black anodized aluminium

Robust and resistant to corrosion

#### JUNCTION BOX

Sealed, robust and wide for heat dissipation

IP67/IP68 according to IEC 60529

Diodes by-pass built-in 3

Connector MC4 compatible

Cables 1000 mm (±20%) length and 4 mm<sup>2</sup> section

#### FRONTAL

3,2 mm thick tempered glass with high strength and ARC

Textured, extra-clear with low iron content

Frontal load (snow) 5400 Pa | Back load (wind) 2400 Pa

#### SOLAR CELLS

80 [2x(8x5)] cells monocrystalline silicon

#### WEIGHT AND DIMENSIONS

21 Kg | 1754 x 1096 x 30 mm (±1%) | Pack: 936 pcs-truck

## ELECTRIC DATA

BLACK	LEPV 410
<b>STC: 1000 W/m<sup>2</sup>, module temperature 25°C, AM 1,5</b>	
Nominal power. Pmax	410 Wp
Max. power tolerance. Pmax	0 / +5 W
Area of the module	1,92 m <sup>2</sup>
Module efficiency	21,33 %
Isc	18,53 A
Voc	28,15 V
Imp	17,48 A
Vmp	23,46 V
<b>NOCT: 800 W/m<sup>2</sup>, ambient temperature 20°C, AM 1,5</b>	
Nominal power. Pmax	311,11 W
Isc	15,65 A
Voc	25,86 V
Imp	14,62 A
Vmp	21,28 V
<b>Operating parameters. Temperature coefficients</b>	
Maximum voltage	1500 V
Maximum series fuse rating. Ir	20 A
α Isc	0,04 % / °C
β Voc	- 0,25 % / °C
γ Pmax	- 0,34 % / °C
Temperature range	- 40 °C ~ + 85 °C
NOCT	43 ± 2 °C

NOTE: Read the instruction manual of this product and follow the indications STC. Values are valid for: 1000W/m<sup>2</sup>, AM 1,5 and cells temperature of 25°C. Measurement tolerance +/-3% (AAA Solar simulation -IEC 60.904-9-). All the information of this brochure may be amended without notice by Lina Energy.