

Pitched roof with trapezoidal metal sheet and sandwich panel



sales.pespa@pespagroup.com



Website: www.pespagroup.com



Address: Lagjia 14, Shkozet Durrës, Albania



Pespa Alumin



Pespa Alumin

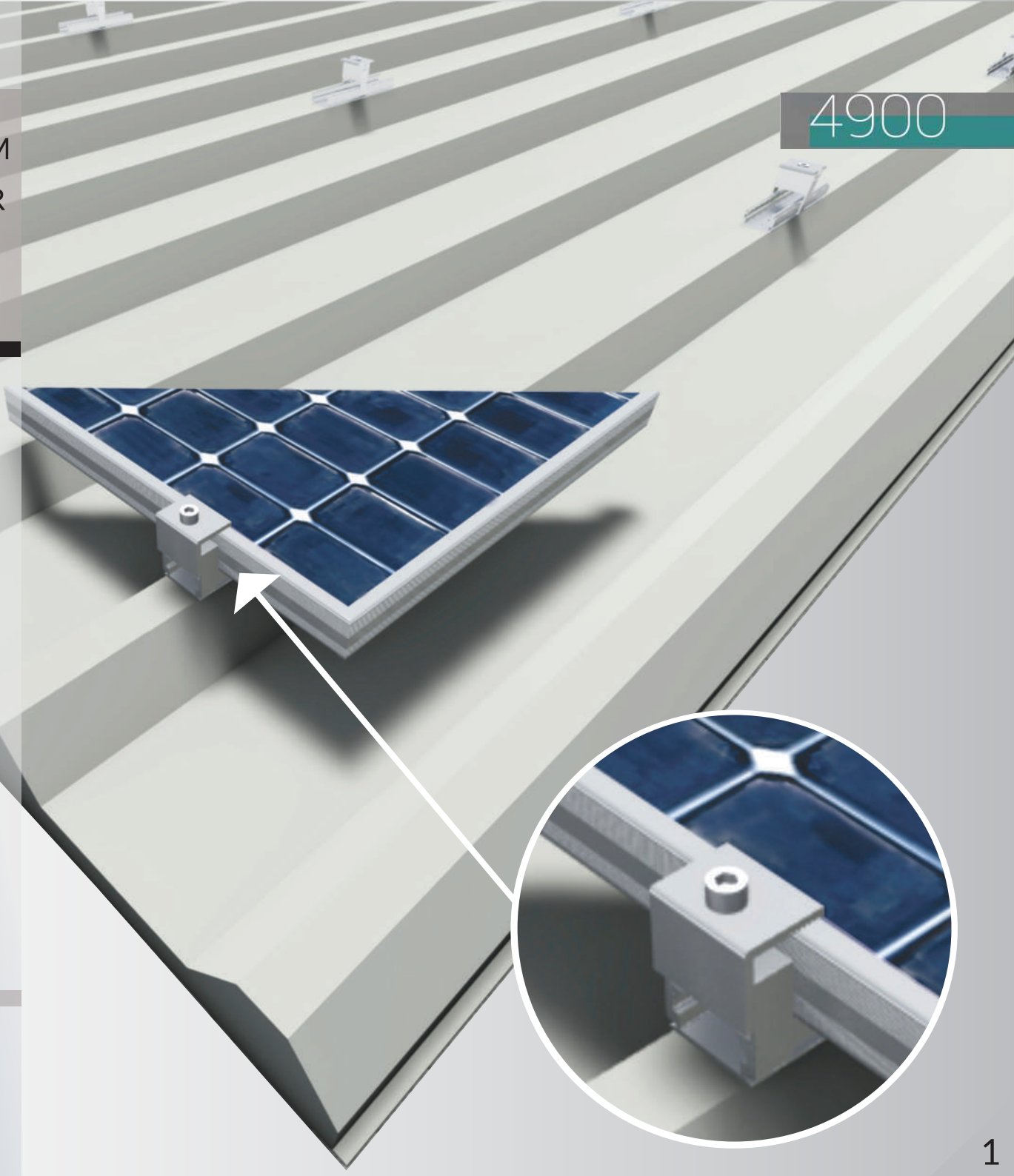
“U-20” Aluminium mounting structures

4900

PROFILES AND ACCESSORIES FOR ALUMINIUM STRUCTURES OF PHOTOVOLTAIC PANELS FOR ROOFTOP, WITH TRAPEZOIDAL SHEET METAL ROOF OR SANDWICH PANELS

- One of the most in demand mounting techniques for sandwich panel or trapezoidal metal sheet roofing is this conventional form with a customizable "U-20" shaped rail.
- Capable of supporting solar panels of different thicknesses and orientations (vertical or horizontal) and with the main feature being installed on top of the crest/ridge.
- Mid and end clamps, profiles and rubber gaskets complete this system.

In addition to not restricting our ability to manufacture only this essential standard system, we give our customers the opportunity to design their own products with precise drawings and specifications for profiles and clamps, ventilation space, technological qualities, and to meet required static parameters.

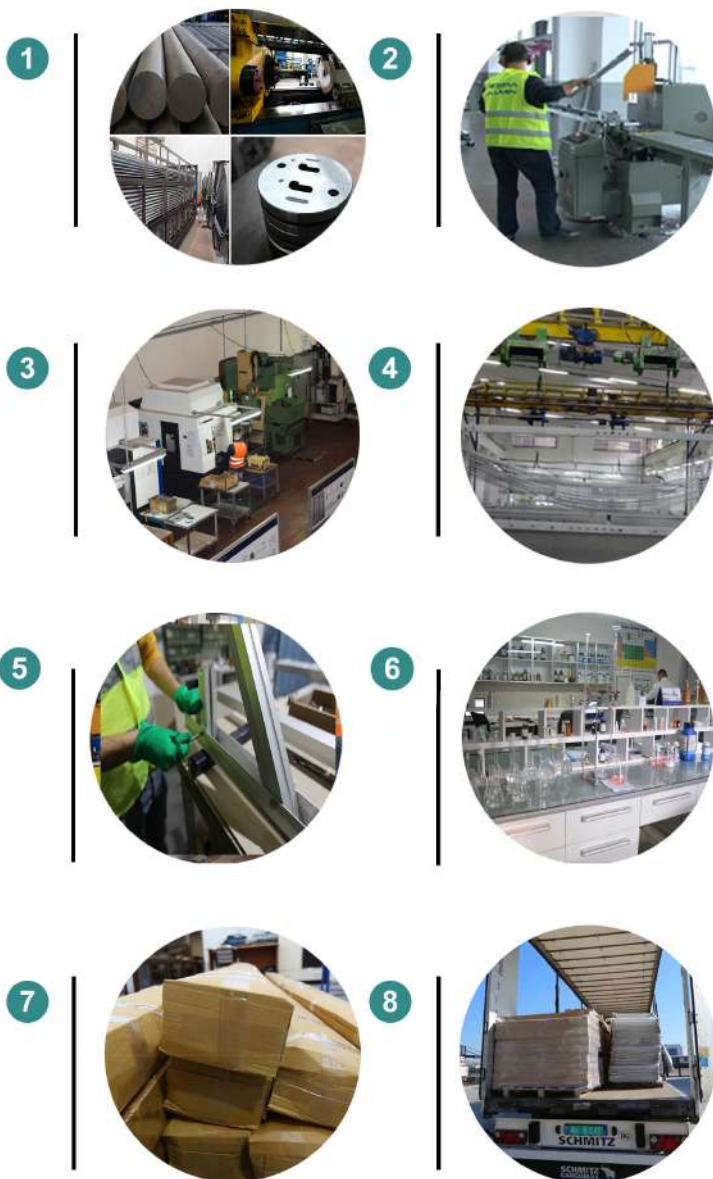


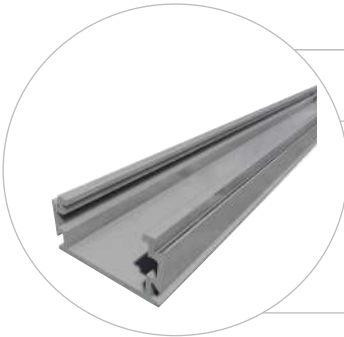
PRODUCTION CYCLE

ALUMINIUM SUPPORTING STRUCTURES FOR PHOTOVOLTAIC SYSTEMS

The production cycle of this product consists in:

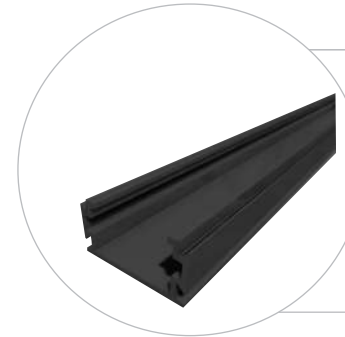
- 1 **Extrusion of profiles-** Aluminum profiles production in extrusion presses
- 2 **Cutting and working center process-** Cutting of aluminium profiles according to the dimensions and designs and processing in working centers.
- 3 **Aluminium accessories manufacturing-** production of the accessories through processes such as milling, drilling, turning, threading and adjusting.
- 4 **Anodizing of aluminum profiles and accessories-** surface treatment with anodizing
- 5 **Assembling-** Assembly of modules and kits to be installed as per customised design
- 6 **Quality Control**
- 7 **Packaging and storage**
- 8 **Transport**





4900-PEGA-MBA-4284

Aluminium solar mounting U profile 38×20 mm, 6 LM standard length for on crest mounted, pitched roof with trapezoidal sheet and sandwich panel roofing



4900-PEGA-MZI-4284

Aluminium solar mounting U profile 38×20 mm, 6 LM standard length for on crest mounted, pitched roof with trapezoidal sheet and sandwich panel roofing



4900-PEGA-MBA-4284/125

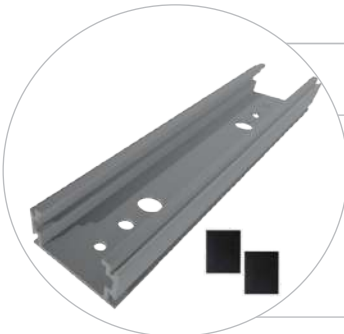
Aluminium solar mounting U profile 38×20 mm, with cutting 125mm length for on crest mounted, with 4 drilling, with EPDM rubber gasket 38×125 mm for pitched roof with trapezoidal sheet and sandwich panel roofing



4900-PEGA-MZI-4284/125

Aluminium solar mounting U profile 38×20 mm, with cutting 125mm length for on crest mounted, with 4 drilling, with EPDM rubber gasket 38×125 mm for pitched roof with trapezoidal sheet and sandwich panel roofing

Note: Various profiles lengths can be made according to the order.



4900-PEGA-MBA-4284/180

Aluminium solar mounting U profile 38×20 mm, with cutting 180 mm length for on crest mounted, with 6 drilling, with EPDM rubber gasket 38×180 mm for pitched roof with trapezoidal sheet and sandwich panel roofing

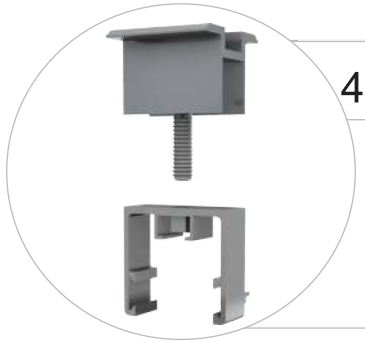


4900-PEGA-MZI-4284/180

Aluminium solar mounting U profile 38×20 mm, with cutting 180 mm length for on crest mounted, with 6 drilling, with EPDM rubber gasket 38×180 mm for pitched roof with trapezoidal sheet and sandwich panel roofing

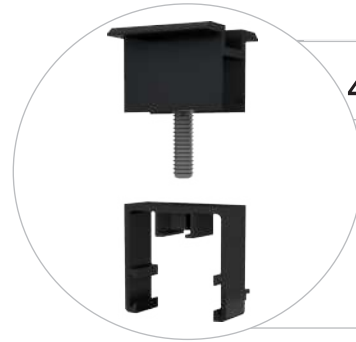
Technical additional information

- ◆ System of aluminium and profiles: For trapezoidal sheet metal roof or sandwich panel
- ◆ Raw material: Primary aluminium alloy 6060/6063-**Provided in: Mill finished, natural anodized and black anodized surface**
- ◆ Fixing type: Mounting with screws on the trapezoidal sheet or sandwich panel



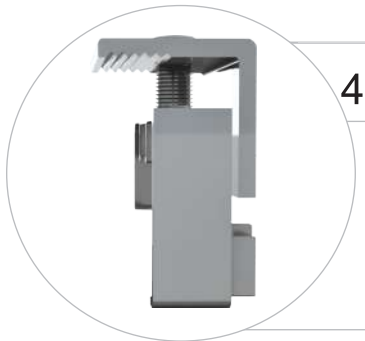
4900-PEGA-MBA-4337/16+4282/40

Universal aluminium solar mid clamp with sliding channels for solar panel fixing, adjustable for various panel thickness



4900-PEGA-MZI-4337/16+4282/40

Black universal aluminium solar mid clamp with sliding channels for solar panel fixing, adjustable for various panel thickness



4900-PEGA-MBA-4337/16+4281/40

Universal aluminium solar end clamp with sliding channels for solar panel fixing, adjustable for various panel thickness



4900-PEGA-MZI-4337/16+4281/40

Universal aluminium solar end clamp with sliding channels for solar panel fixing, adjustable for various panel thickness

Technical additional information

- ◆ System of aluminium and profiles: For trapezoidal sheet metal roof or sandwich panel
- ◆ Raw material: Primary aluminium alloy 6060/6063-**Provided in: Mill finished, natural anodized and black anodized surface**
- ◆ Fixing type: Mounting with screws on the trapezoidal sheet or sandwich panel

Our activity, services and products are certified for:

- ✓ Design, production and trade of aluminium shapes and accessories for civil and industrial applications. ventilated facades systems, handrails, shutters, fences, sunbreakers and components of interior and exterior furnishings systems
- ✓ Design, production and trade of aluminium structures for solar panels.
- ✓ Design, production and trade of precast aluminium structures for the construction of civil and industrial accommodation modules and relative assembly.

QUALANOD LICENCE FOR ARCHITECTURE ANODISING

PESPA ALUMIN is authorized to use the quality sign, according to the regulations for the use of the quality label for ARCHITECTURAL ANODIZING



QUALANOD LICENCE FOR INDUSTRIAL ANODISING

PESPA ALUMIN is authorized to use the quality sign, according to the regulations for the use of the quality label for INDUSTRIAL ANODIZING.



ISO 14001:2015 - ENVIRONMENTAL MANAGEMENT SYSTEM

Pespa Alumin has implemented and maintains an environmental system which fulfills the requirements of the standard in all the operative units.



ISO 45001:2018 - HEALTH AND SAFETY MANAGEMENT SYSTEM

Pespa Alumin has implemented and maintains in compliance with the standard for its activity.



ISO 9001:2015 - QUALITY MANAGEMENT SYSTEM

Pespa Alumin is a certified organisation which fulfills the requirements of the standard.

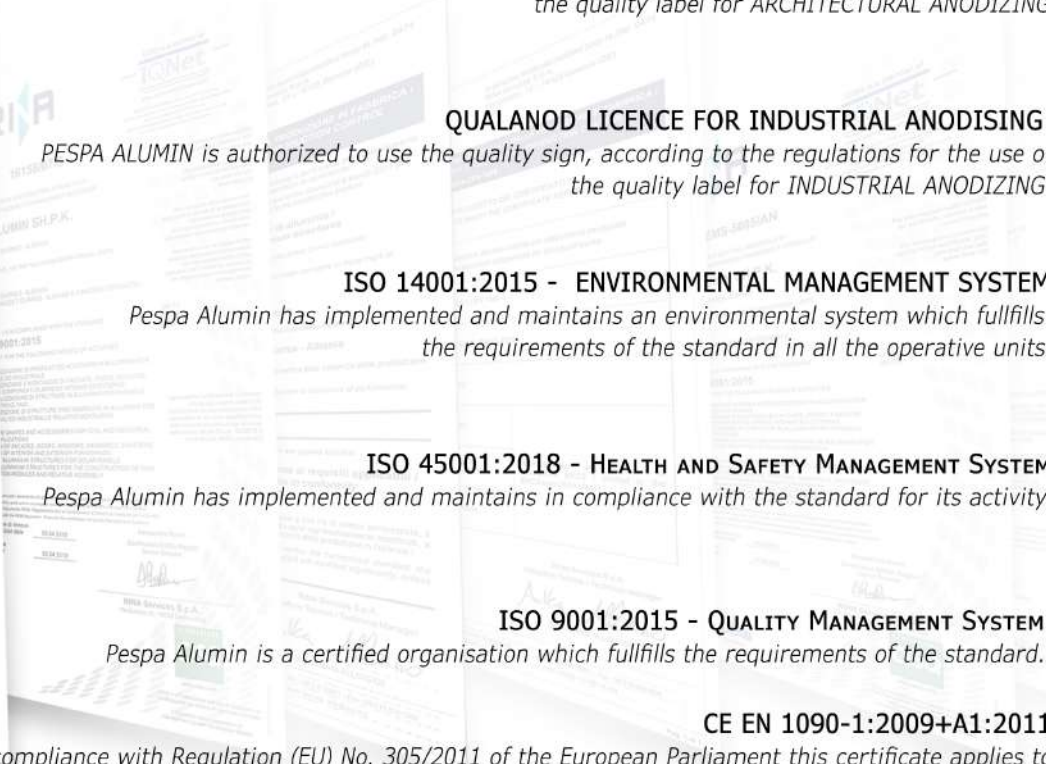


CE EN 1090-1:2009+A1:2011

In compliance with Regulation (EU) No. 305/2011 of the European Parliament this certificate applies to the construction product: Structural components and kits for aluminium structures



STANDARD EN 1090-1 / EN 1090-3 CERTIFICATE: WELDED ALUMINIUM COMPONENTS FOR STRUCTURAL WORKS
 Standard – technical requirements - EN 1090-1 / EN 1090-3 Execution class(es) - EXC1; EXC2; EXC3; EXC4 Method(s) CE marking – 2; 3a; 3b Welding process(es) - 131; 141 EN ISO 4063 Parent material(s) - Groups: 23.1 ISO/TR 15608



4900

PESPA LUMIN



sales.pespa@pespagroup.com



Website: www.pespagroup.com



Address: Lagjia 14, Shkozet Durrës, Albania



Pespa Alumin



Pespa Alumin