

# All-in-One IP65 Solar Pumping inverter

Solar Pumping inverter is designed to run water pump directly with solar panels input under sunshine. With solar MPPT(max power point tracking) and Various Frequency technologies, solar pumping inverter could also make usage of solar panels at max and protect pump motor at the same time. With 10years experiences on technologies of solar inverter, this series solar pumping inverter from our elite R&D team is built-in more stable, efficient features, making them your best choice for solar pumping systems even under extreme harsh environments!



## Features:

Max input PV voltage **900V-1KVoc!**

**PV combine box** inside with MC4, plug&play!

Built-in solar **DC switch, SPD**, fuses etc.

**MPPT** circuit at **99.9%** efficiency!

**IP65** water/dust-proof case with full aluminum sink!

**Hybrid inputs:** solar or Grid/generator AC(optional), solar will be used at first if solar  $V_{mpp} > 550V$  and AC power make up only insufficient part.

Max conversion efficiency **98%**!

Enough ports for communication & sensors!

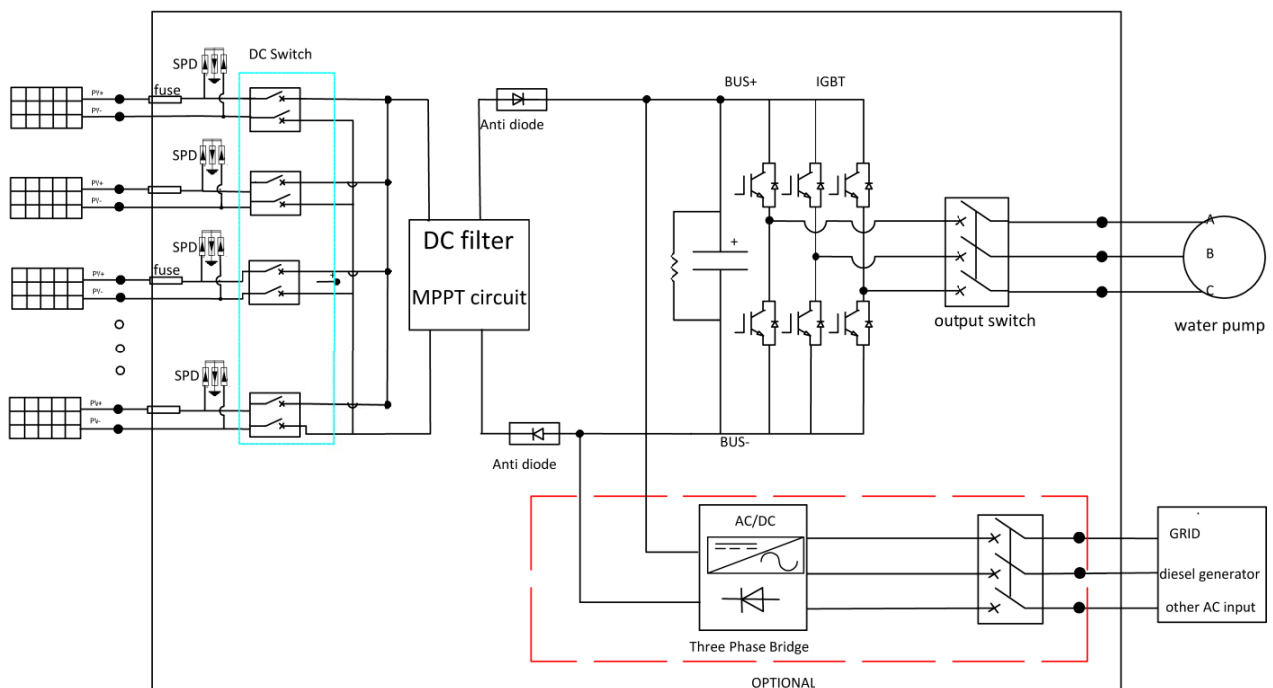
Fully automatic running!

Optional **GPRS** module & remote control!

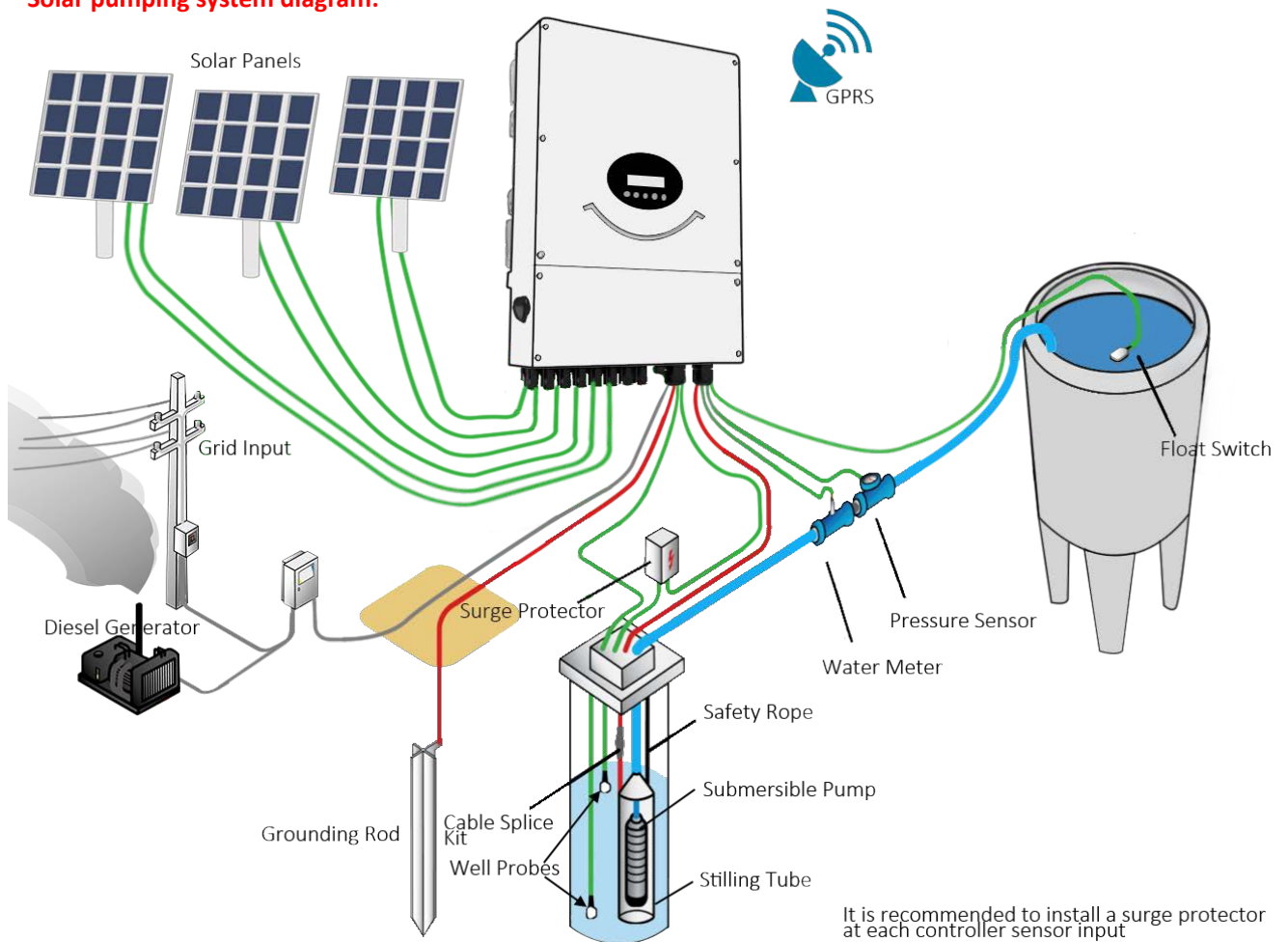
Store running data up to 8years!

Full running **protection** on motor and itself, such as output short-circuit, IGBT over-current, input over/under voltage, overload, module over-heat, grounding protection, dry-run, lose-phase, lowest running frequency, etc.

## Topology Diagram:



## Solar pumping system diagram:



## Datasheet:

MODEL	3K0	4K0	5K5	7K5	9K2	11K
<b>PV INPUT</b>						
Max PV Input Voltage(Vdc)	900Vdc					
MPPT Voltage Range(Vdc)	450~750Vdc					
Qty.of Input Strings	2			3		
Max Input Current(A)	7A	9A	13A	16A	20A	24A
<b>AC INPUT</b>						
(For model with -G; Hybrid inputs: Solar will be used at first if solar Vmp>550V and AC power make up only insufficient part)						
AC Input Voltage(Vac)	380±15%					
AC Input Frequency(Hz)	50/60±5%					
<b>AC OUTPUT</b>						
Rated Output Power(W)	3000W	4000W	5500W	7500W	9200W	11000W
Max Output Current(A)	8.5A	11A	13A	17A	21A	24A
AC Output Voltage(Vac)	380Vac/3Phase					
Output frequency(Hz)	0~50/60Hz					
<b>General</b>						
Noise typical[dB(A)]	<45dB			<45dB		
Cooling Concept	Natural cooling					
Operating Temperature(°C)	-25~+60°C					
Protect Level	IP65					
Communication	RS485/(GPRS Optional)					
Dimension (W×D×H)(mm)	480*330*160mm			530*350*170mm		

Weight (Kg)	12kg	14kg	15kg	16kg
Certification	IEC62109-1 / -2, IEC61683			

MODEL	13K	15K	18K	22K	26K	30K
<b>PV INPUT</b>						
Max PV Input Voltage(Vdc)	900V	900V	900V	900V	900V	900V
MPPT Voltage Range(Vdc)	450~750V	450~750V	450~750V	450~750V	450~750V	450~750V
Qty.of Input Strings	8	8	8	8	8	8
Max Input Current(A)	30A	33A	41A	48A	57A	66A
<b>AC INPUT</b>						
(For model with -G; Hybrid inputs: Solar will be used at first if solar Vmp>550V and AC power make up only insufficient part)						
AC Input Voltage(Vac)	380V±15%					
AC Input Frequency(Hz)	50/60Hz±5%					
<b>AC OUTPUT</b>						
Rated Output Power(W)	13000W	15000W	18500W	22000W	26000W	30000W
Max Output Current(A)	28A	32A	40A	46A	55A	62A
AC Output Voltage(Vac)	380V/3Phase					
Output frequency(Hz)	0~50/60Hz					
<b>General</b>						
Noise typical[dB(A)]	<45dB			<60dB		
Cooling Concept	Natural cooling		IP68 Fans+heat sink			
Operating Temperature(°C)	-25~+60°C					
Protect Level	IP65					
Communication	RS485/(GPRS Optional)					
Dimension (W×D×H)(mm)	590*400*203mm					
Weight (Kg)	23kg	23kg	25kg	25kg	25kg	25kg
Certification	IEC62109-1 / -2, IEC61683					

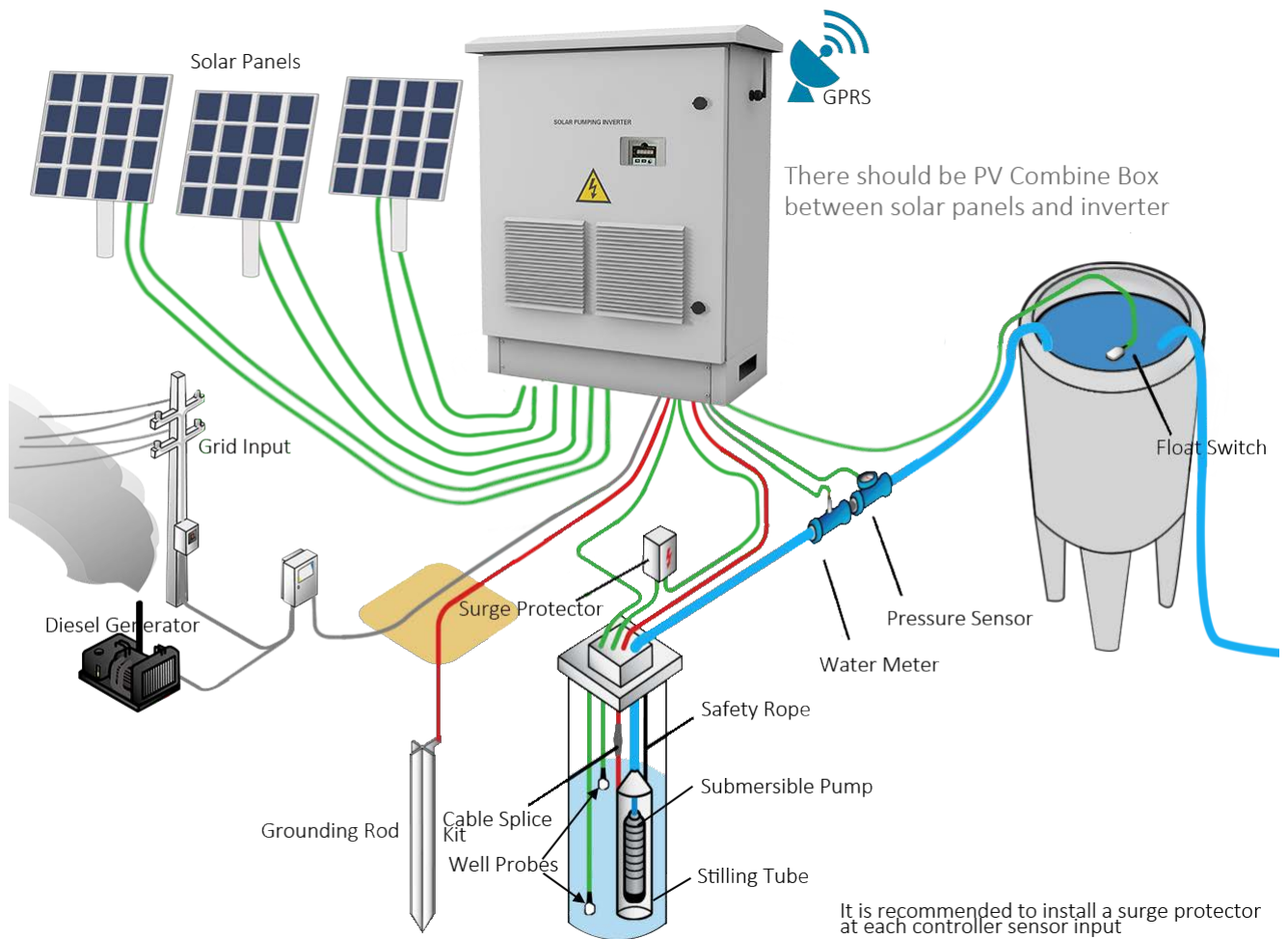


3KW-5.5KW



7.5KW-11KW

## 37KW-132KW with IP54 Weather-Proof cabinet:



### Datasheet:

MODEL	CHP5-37K	CHP5-55K	CHP5-75K	CHP5-90K	CHP5-110	CHP5-132
<b>PV INPUT</b>						
Max PV Input Voltage(Vdc)	900Vdc					
MPPT Voltage Range(Vdc)	500~750Vdc					
Qty.of Input Strings	2 pairs PG Connectors			2 pairs PG Connectors		
Max Input Current(A)	78A	114A	160A	216A	228A	240A
<b>AC INPUT</b>						
(For model with -G; Hybrid inputs: Solar will be used at first if solar Vmp>550V and AC power make up only insufficient part)						
AC Input Voltage(Vac)	380±15%					
AC Input Frequency(Hz)	50/60±5%					
<b>AC OUTPUT</b>						
Rated Output Power(W)	37000W	55000W	75000W	90000W	110000W	132000W
Max Output Current(A)	75A	110A	150A	180A	210A	250A
AC Output Voltage(Vac)	380Vac/3Phase					
Output frequency(Hz)	0~50/60Hz					
<b>General</b>						
Noise typical[dB(A)]	<50dB			<50dB		
Cooling Concept	heat-sink & fans cooling					
Operating Temperature(°C)	-25~+60°C					
Protect Level	IP54					
Communication	RS485/(GPRS Optional)					
Dimension (W×D×H)(mm)	580*290*790mm			650*320*940mm		