

# iXCEED 3.5K -5.5K - G2

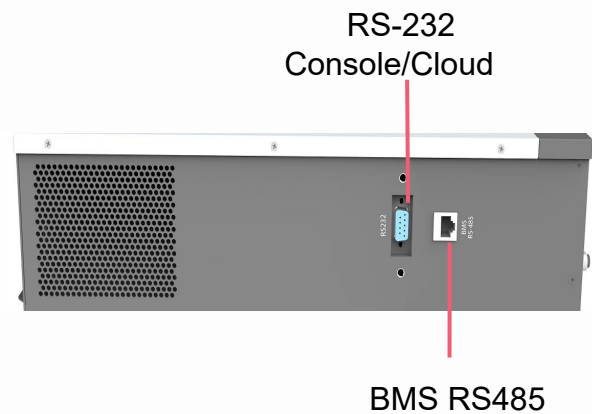
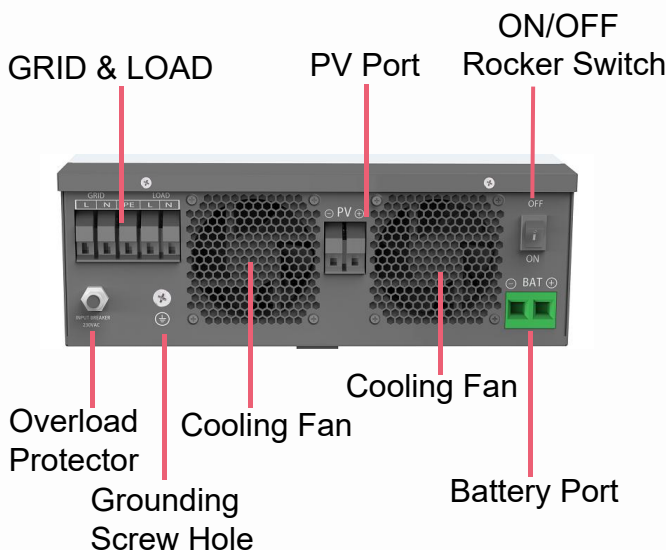
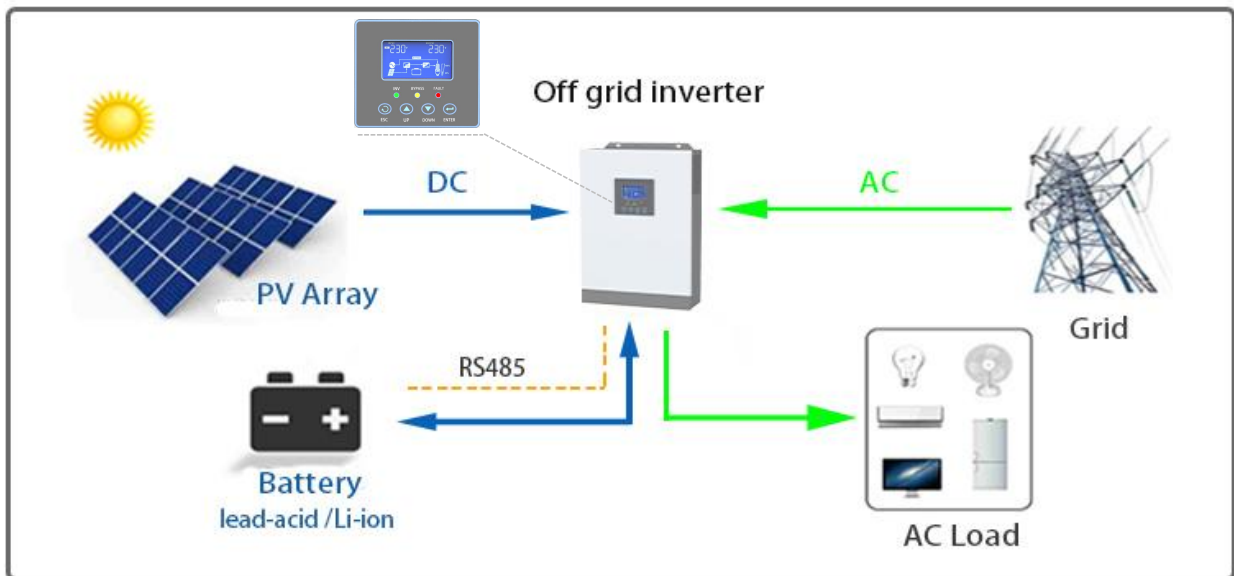
Hybrid Solar inverter with 120V-500V PV Input and 230Vac Output

## Product Feature :



- ▶ Pure Sine Wave Output, Power Factor 1.0;
- ▶ Wider PV input voltage range :120V-500Vdc;
- ▶ Capable to Startup without Battery;
- ▶ Programmable supply priority for PV,Grid or Battery;
- ▶ User-adjustable charging/discharging current or acquire from BMS by RS-485 , suits for different types of lead-acid or lithium batteries;
- ▶ Multiple safety protection: PV Insulation Resistance Detection, Residual Current Monitoring, etc.
- ▶ Capable to Remote monitor inverter With wifi or 4G.

## System diagram:



| MODEL                              | iXCEED 3.5K-48-G2       | iXCEED 5.5K-48-G2 |
|------------------------------------|-------------------------|-------------------|
| <b>PV Array</b>                    |                         |                   |
| Max. PV Array Power                | 4000W                   | 6000W             |
| Max. PV Array Open-Circuit Voltage | 500VDC                  |                   |
| Start-up Voltage                   | 100VDC                  |                   |
| MPPT Operating Voltage Range       | 120-450VDC              |                   |
| Nominal Input Voltage              | 360VDC                  |                   |
| Max. Input Current MPPT            | 20A                     | 30A               |
| Max. Short Circuit Current MPPT    | 22A                     | 33A               |
| <b>Battery</b>                     |                         |                   |
| Battery Type                       | lead-acid /Li-ion       |                   |
| Nominal Battery Voltage            | 48V                     |                   |
| Battery Voltage Range              | 41-58V                  |                   |
| Max. AC Charging Current           | 30A                     | 50A               |
| Max. PV Charging Current           | 60A                     | 100A              |
| Max. Charge Power                  | 3000W                   | 5000W             |
| Max. Discharge Power               | 3200W                   | 5300W             |
| <b>AC Input</b>                    |                         |                   |
| Nominal Voltage                    | 230VAC                  |                   |
| Voltage Range                      | 170-275VAC              |                   |
| Frequency                          | 50/60Hz (Auto sensing)  |                   |
| Max. Input Current                 | 22A                     | 36A               |
| <b>AC Output</b>                   |                         |                   |
| Nominal Voltage                    | 220/230VAC±5%           |                   |
| Output Voltage Waveform            | Pure Sine Wave          |                   |
| Rated Output Power                 | 3500VA/3500W            | 5500VA/5500W      |
| Peak Output Power                  | 5100VA                  | 8000VA            |
| Nominal Output Frequency           | 50/60Hz                 |                   |
| Transfer Time                      | <10ms                   |                   |
| Max. PV to AC Efficiency           | 96.5%                   | 96.5%             |
| Max. Battery to AC Efficiency      | 93.0%                   | 93.0%             |
| <b>Protection</b>                  |                         |                   |
| PV Insulation Resistance Detection | Yes                     |                   |
| Residual Current Monitoring        | Yes                     |                   |
| <b>General Data</b>                |                         |                   |
| Operating Temperature Range        | -10 -- +50°C            |                   |
| Relative Humidity                  | 0~95%                   |                   |
| Max. Operating Altitude            | <4000m                  |                   |
| Cooling Method                     | Intelligent Fan cooling |                   |
| Display                            | LED+LCD                 |                   |
| Communication with BMS             | RS485                   |                   |
| Communication with Cloud           | WiFi/4G                 |                   |
| Degree of Protection               | IP20                    |                   |
| Weight (kg)                        | 9                       | 10                |
| Dimension (W*H*Dmm)                | 373*300*105             |                   |
| Mounting Method                    | Wall Mounted            |                   |