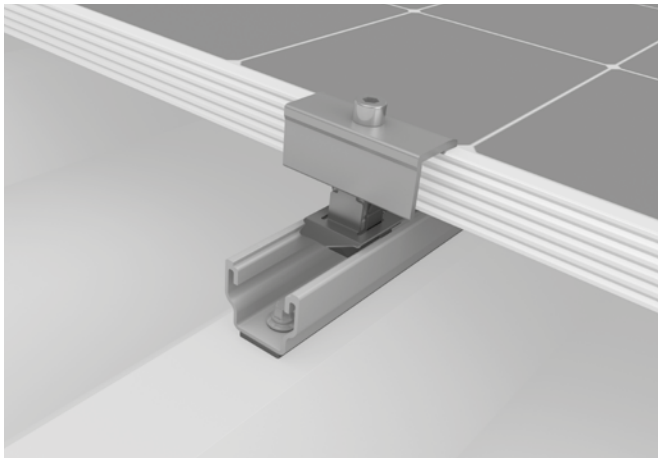




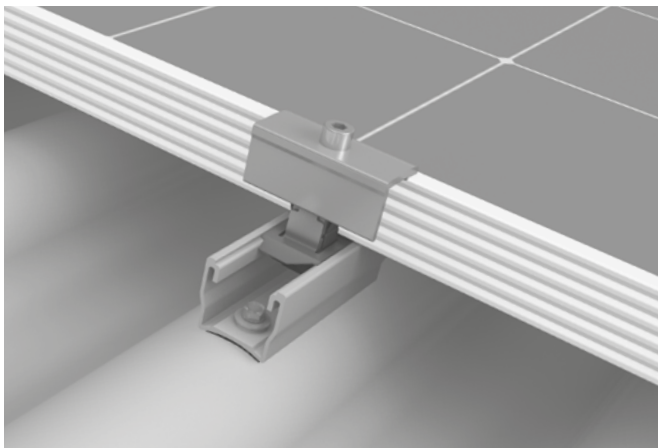
# K2 MultiRail System

Roof connection and mounting rail in one component. Quick planning with little use of materials is possible. The system can be easily installed on pitched roofs from 5 - 75° with trapezoidal sheet metal and corrugated sheet metal. No pre-drilling or time-consuming fixing in the roof substructure is necessary during installation.



## K2 MultiRail

- Mounting with only one component on trapezoidal sheet metal and sandwich elements
- Short rail available in different lengths for different applications such as high load requirements



## K2 MultiRail CSM

- Quick and easy installation on corrugated sheet metal
- Various lengths available

## System-Highlights

### With elevation for more yield

- Combination of the MultiRail and components from our flat-roof system Dome 6
- Better irradiation angle and thus higher yield

### RailUp for more profit

- Elevation results in improved ventilation of the modules and thus the possibility for higher yields
- Easy installation of micro-inverters and power optimisers



Further information,  
**all technical data and  
components**