



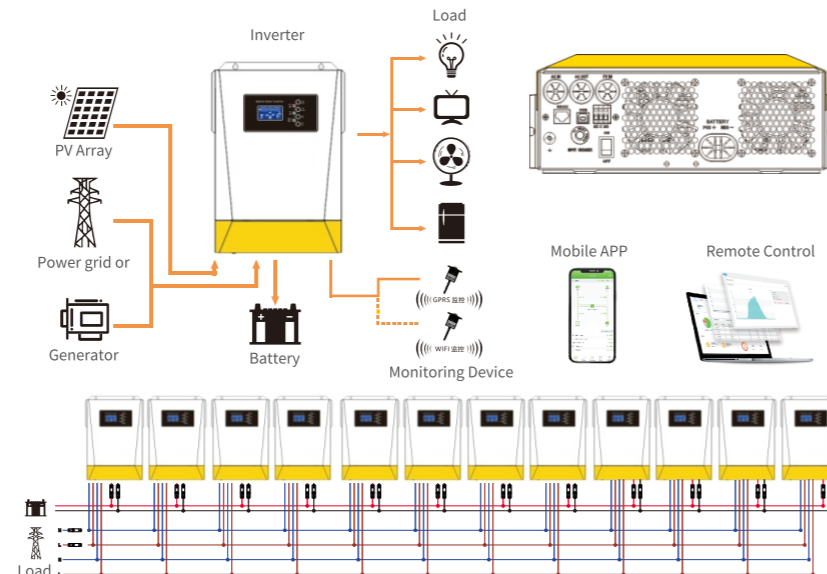
Hybrid Solar Inverter 3.5KW-5.5KW

Glory M Plus Series
3.5~5.5KW 220V/230Vac Output

FEATURES

- ✓ Pure sine wave solar inverter
- ✓ Output power factor 1
- ✓ High PV input voltage range
- ✓ Built-in MPPT solar controller
- ✓ Battery equalization function to optimize battery performance and extend lifecycle
- ✓ Inverter running without battery
- ✓ Built-in anti-dusk kit for harsh environment
- ✓ Parallel operation with up to 12 units, support parallel in 1phase/3phase, support wireless parallel
- ✓ Support multiple output priority: UTL, SOL, SBU, SUB
- ✓ WiFi/GPRS remote monitoring(Optional)
- ✓ RS485 communication for BMS(Optional)

APPLICATION DIAGRAM



Technical Data

MODEL	3500 HHS-24	5500 HHP-48
CAPACITY	3.5KVA/3.5KW	5.5KVA/5.5KW
Parallel Capability	NO	Yes,12pcs
INPUT		
Nominal Voltage	230VAC	
Acceptable Voltage Range	170-280VAC(For personal Computer);90-280VAC(For Home Appliances)	
Frequency	50/60 Hz (Auto sensing)	
OUTPUT		
Nominal Voltage	220/230VAC ± 5%	
Surge Power	7000VA	11000VA
Frequency	50/60 Hz	
Waveform	Pure Sine wave	
Transfer Time	10ms(For personal Computer);20ms(For Home Appliances)	
Peak Efficiency (PV to INV)	96%	
Peak Efficiency (Battery to INV)	93%	
Overload Protection	5s@>=150% load; 10s@110%~150% load	
Crest Factor	3:1	
Admissible Power Factor	0.6-1 (inductive or capacitive)	
BATTERY		
Battery Voltage	24VDC	48VDC
Floating Charge Voltage	27VDC	54VDC
OverCharge Protection	33VDC	63VDC
Charging Method	CC/CV	
Solar Charger & AC Charger		
Solar Charger TYPE	MPPT	
Max. PV Array Power	4000W	5500W
Max. PV Array Open Circuit Voltage	500VDC	
PV Array MPPT Voltage Range	120VDC-450VDC	
Max. Solar Input Current	15A	18A
Max. Solar Charge Current	100A	100A
Max. AC Charge Current	60A	60A
Max. Charge Current	100A	100A
PHYSICAL		
Dimensions, D xW xH(mm)	482x290x113	
Package Dimensions, D xWx H(mm)	565x380x190	
Net Weight (Kgs)	9	10
Communication Interface	USB/RS232/Dry-contact	
ENVIRONMENT		
Operating Temperature Range	-10°C to 50°C	
Storage temperature	-15°C~ 60°C	
Humidity	5% to 95% Relative Humidity (Non-condensing)	

Product specifications are subject to change without further notice.