

Sandwich & Trapezoidal Sheet System



Maximum Strength

- ▶ ISOBEAM solution is directly connected to sub-structure in trapezoidal sheet roofs
- ▶ It is applied with long profiles in portrait and landscape layouts
- ▶ Space between trapezoidal sheet and PV module can be adjusted in order to have better air flow under PV modules
- ▶ Special EPDM seal is applied between anchor and trapezoidal sheet preserve sealing



ISOBEAM V



ISOBEAM V.1.3

- ▶ ISOBEAM profile is used in layouts where lateral connection is needed
- ▶ Compatible with EasyClamps



Threaded Anchor with seal

- ▶ This anchor is specially used when fixing profile to substructure is needed
- ▶ Steel & Wooden constructions



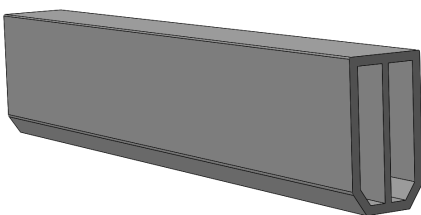
EasyClamp V1 Middle + End Clamp

- ▶ Delivered in set with integrated nut and spring. Can reduce pv module installation time up to 15%
- ▶ Compatible with all Isotec profiles. Universal clamps work with framed pv modules between 35 - 45 mm height.



BUP

- ▶ This part is used to connect ISOBEAM profile to the anchor
- ▶ Profile height can be adjusted up to 50mm



Beam Connector

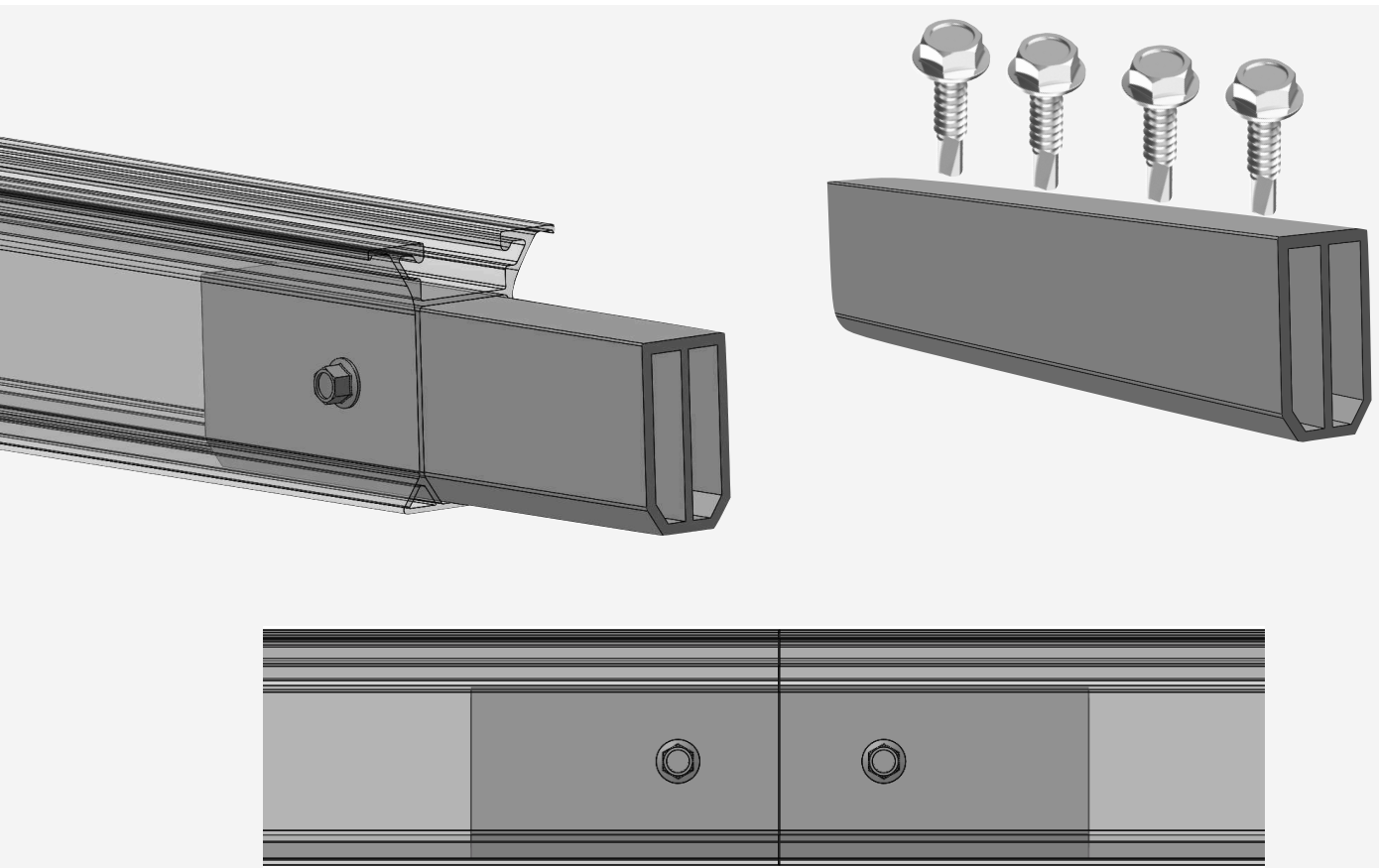
- ▶ This part is used to extend ISOBEAM profiler



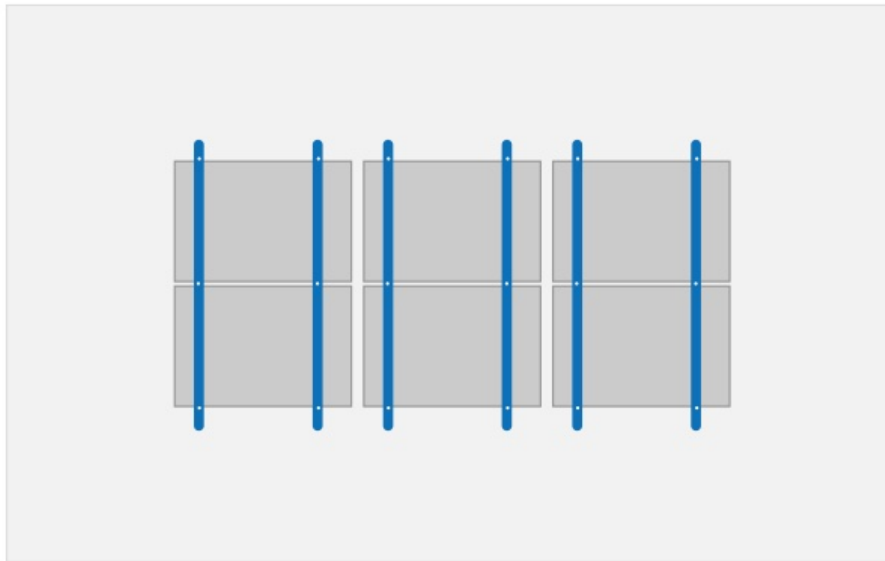
Technical Data

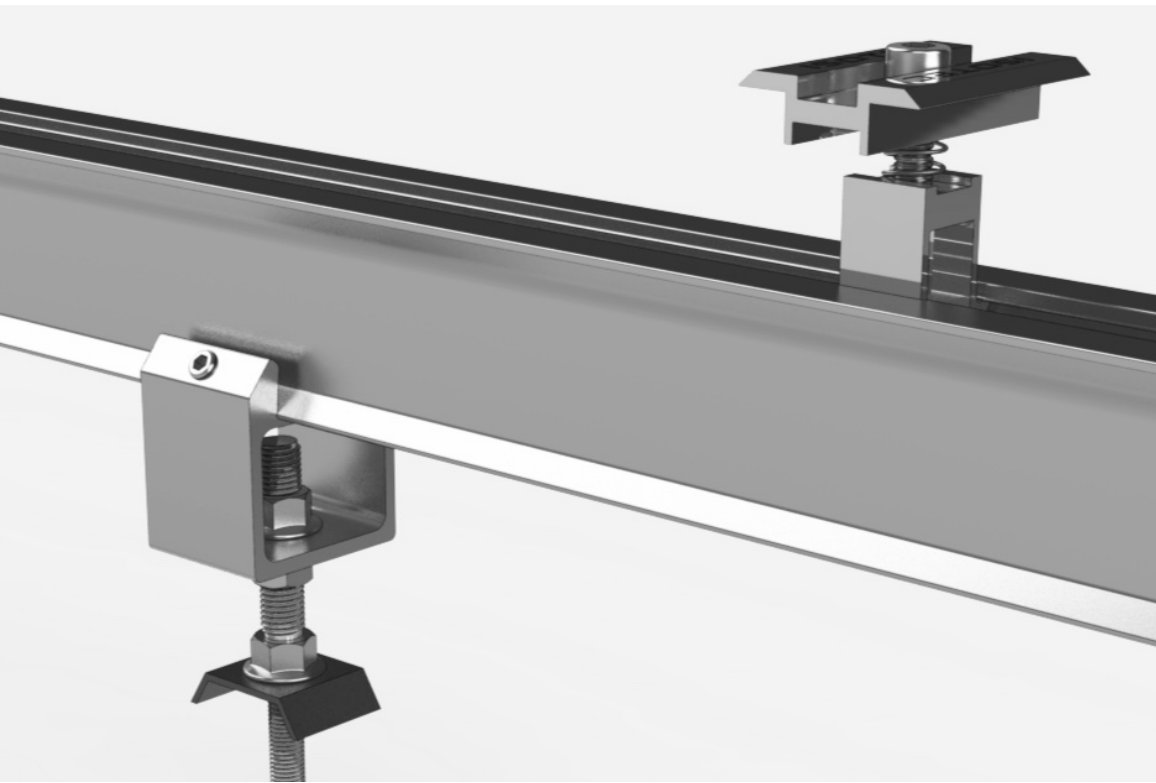
ISOBEAM V	
Scope of application	Trapezoidal sheet and Sanwich roofs
Compatible Solar Panel	L: 640mm - 1960mm W: 990mm-1010mm H: 30mm - 45mm
Fixation	Anchor, bolt
Dimensions	W: 60mm - H: 40mm
Material	Profile and clamps : Aluminium 6063-T66 Support : EPDM Fasteners : Stainless A2-70
Purlin span	From 1m - 2.2m

Connections



Layout



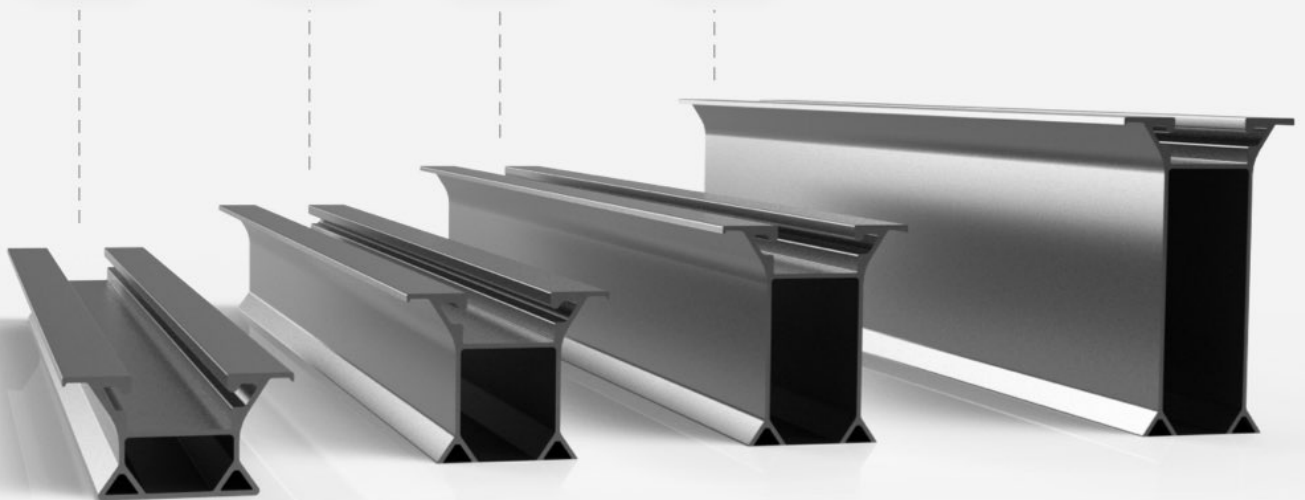


Beam
30 mm

Beam
45 mm

Beam
60 mm

Beam
85 mm



ISOBEAM V

Adjustment up to 20cm for a better one
Ventilation and more yield

