



MADE IN ITALY



Monocrystalline Photovoltaic Module

Half Cut 500 - 520 W

TEN HC



Italian production plant
assembling with european components



132 cells | M10 Technology



Gallium-doped Technology



Planet-Friendly
Made from more sustainable materials



20 years Product Warranty
25 years Linear Warranty

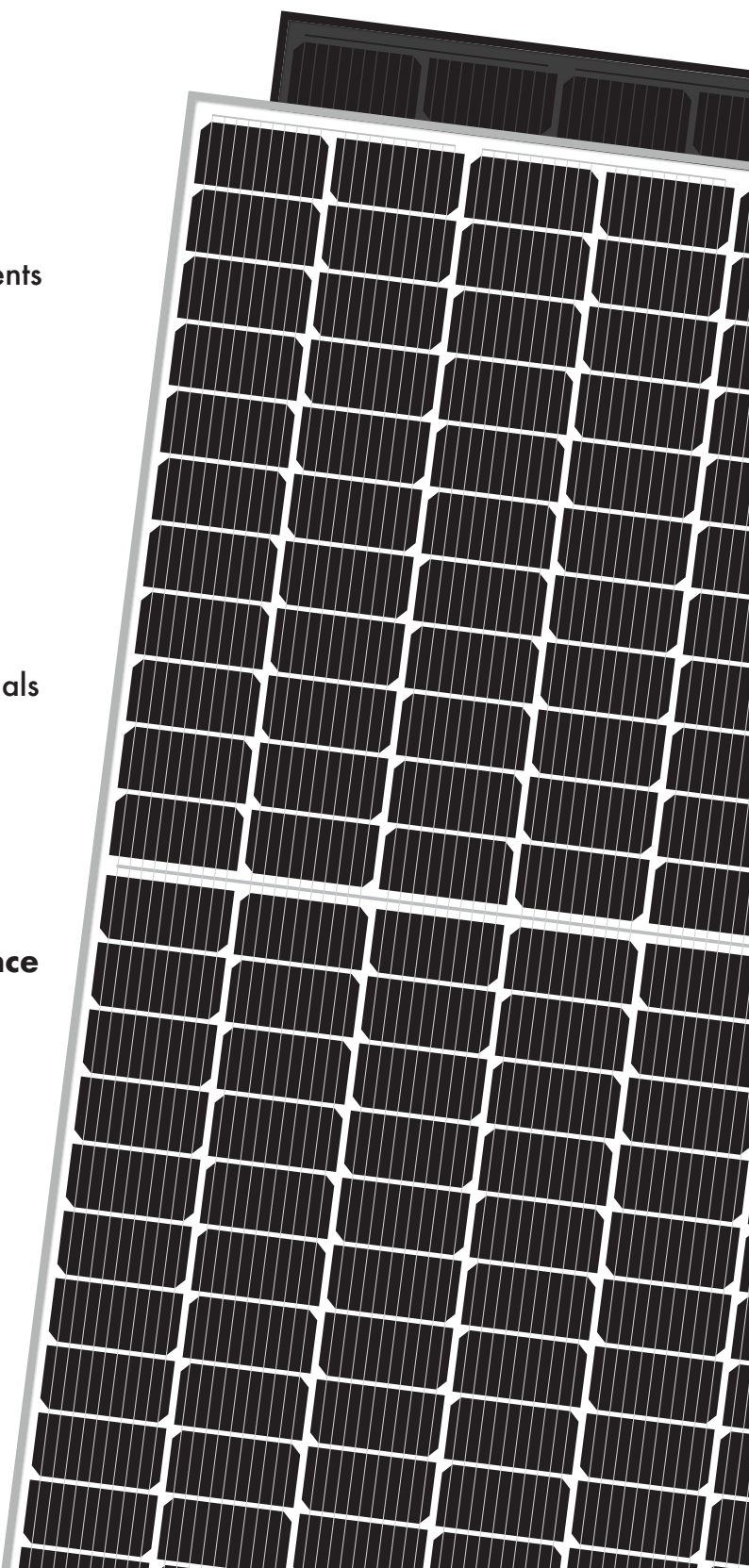


Guaranteed **mechanical resistance**
under extreme weather conditions



Lower LCOE
(Levelized Cost of Energy)

www.solarday.it

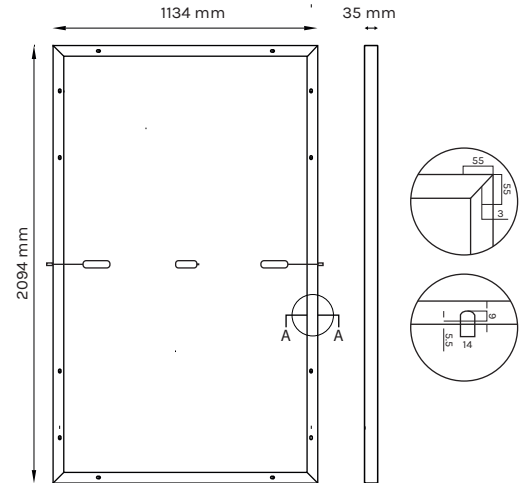


Monocrystalline Photovoltaic Module Half Cut 500 - 520 W TEN HC



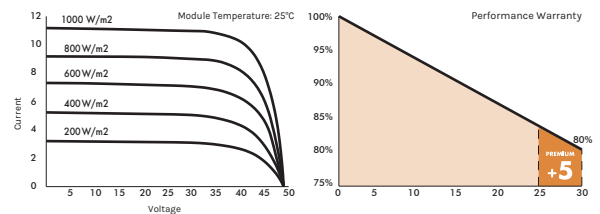
TECHNICAL FEATURES

Cells:	132 (6x22) Monocrystalline Silicon
Available in:	
Frontal Glass:	Glass with low iron content ARC - thickness 3,2 mm Frontal load (snow) 5400 Pa Back load (wind) 2400 Pa
Encapsulant:	EVA (Etilen Vinil Acetato)
Backsheet:	Polymer sheet white/black
Frame:	Black/Silver anodized aluminum 15 micron Grounding holes (For more information please contact our sales team)
Junction Box:	IP68 - 1500 V with 3 by pass diodes Cables length 120 cm Section: 4,0 mm ² ± 1% tolerance
Connectors:	MC4 or compatible connector



WEIGHT, DIMENSIONS AND PACKAGING

26 Kg | 2094 mm x 1134 mm x 35 mm | 31 pcs pallet | 744 pcs truck



ELECTRICAL CHARACTERISTICS*

	TEN HC 500W		TEN HC 505W		TEN HC 510W		TEN HC 515W		TEN HC 520W	
	STC	NMOT	STC	NMOT	STC	NMOT	STC	NMOT	STC	NMOT
Peak power: Pmax (W)	500	377	505	381	510	330	515	333	520	336
Voltage Pmax: Vmpp (V)	38.70	36.28	38.88	36.54	39.06	38.02	41.75	38.15	41.96	38.23
Current Pmax: Impp (A)	12.92	10.39	12.99	10.43	13.06	8.68	10.90	8.73	10.96	8.79
Open circuit voltage: Voc (V)	46.67	44.29	46.85	44.52	47.03	45.45	50.06	45.49	50.25	45.53
Short-circuit current: Isc (A)	13.81	11.01	13.88	11.05	13.95	9.09	11.37	9.16	11.44	9.24
Classification tolerance:	0/+5 W		0/+5 W		0/+5 W		0/+5 W		0/+5 W	
Maximum system voltage: (V)	1500		1500		1500		1500		1500	
Module efficiency: (%)	21.05		21.26		20.70		20.93		21.16	
Maximum fuse rating: (A)	25		25		25		25		25	

*STC values: 1000W/m², AM 1.5, temperature 25°C. Measurement tolerance +/-3% (AAA Solar simulation - IEC 60.904-9).

TEMPERATURE CHARACTERISTICS

Temperature Coeff. of Voc:	-0,27 % / °C
Temperature Coeff. of Isc:	+0,05 % / °C
Temperature Coeff. of Pmax:	-0,35 % / °C

OPERATIVE CHARACTERISTICS

Operating Temperature:	from -40°C to +85°C
Hailstorm Resistance:	Ø 25 mm, 86 Kg/h
NMOT*:	45 ± 2 °C

*Nominal Module Operating Temperature: Irradiance 800W/m², Temperature 20°C, Wind speed 1m/s

WARRANTIES

20 YEARS
Product Warranty

25 YEARS
Linear Warranty

PREMIUM
+5

SOLARDAY CERTIFICATES

IEC 61215:2016 | EN 61730-1:2016 | EN 61730-2:2016
UNI 9177 Class 1 Fire Class | FIRE TEST MST23 CLASSE C
IEC 62716:2013 | IEC 61701:2011
ECOEM

UNI EN ISO 9001:2015
UNI EN ISO 14001:2015
UNI EN ISO 45001:2018
CE

VKF
SUNDAHUS
BRGB
MCS

Read the instruction manual for this product before proceeding with the installation. In light of continuous technical development, all information in this brochure may be modified by Solarday without notice.

Office (IT)
Via privata Antonio Meucci 67
20128 Milano, Italy
info@solarday.it +39022594171

Factory
Località Merlaro 1, 25070
Nozza di Vestone (BS), Italy
info@solarday.it

Office (ES)
Carrer de les Garrigues 17 p.1
46001 Valencia, España
contact@solarday.it +34962071775