

Sandwich & Trapezoidal Sheet Rail



Maximum Strength

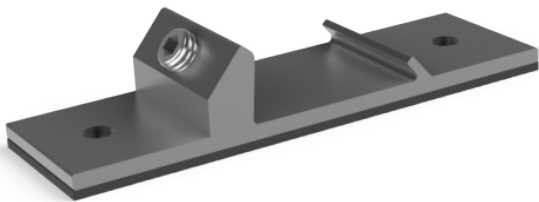
- ▶ Optimized ISOTRAP XL solution is preferred in overloaded areas for use in sandwich or Trapezoidal roofs/sheets
- ▶ It can be used in Landscape or in Portrait orientation layout
- ▶ Max. strength is obtained through self-drilling screw
- ▶ Comes with special EPDM seal between profile and sandwich panel

ISOTRAP XL



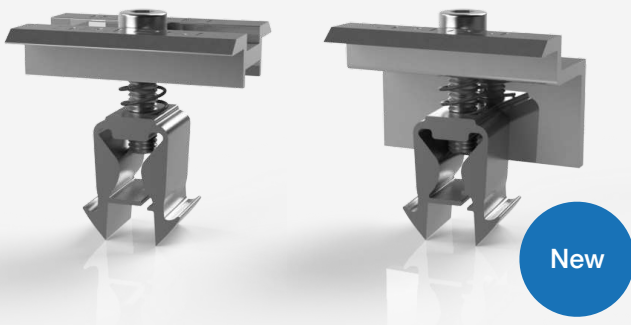
ISOBEAM Profile

- ▶ Optimum strength obtained in portrait and landscape layouts
- ▶ Advantage of low cost
- ▶ Applied to the rails without drilling
- ▶ It is an optimum solution with 4 different height options



XLA Mounting tool

- ▶ Compatible with all ISOBEAM rails
- ▶ Delivered with pre-assembled epdm seal
- ▶ EPDM rubber is available at the bottom of the tool



EasyClamp V.1.3 Middle + V1.3 End Clamp

- ▶ Delivered in set with integrated nut and spring. Can reduce pv module installation time up to 15%
- ▶ Compatible with all Isotec profiles. Universal clamps work with framed pv modules between 35 - 45 mm height.



Self drilling screw

- ▶ This self drilling screw with seal, drills a hole no bigger than needed
- ▶ Fastening without swarf
- ▶ Sealing warranty

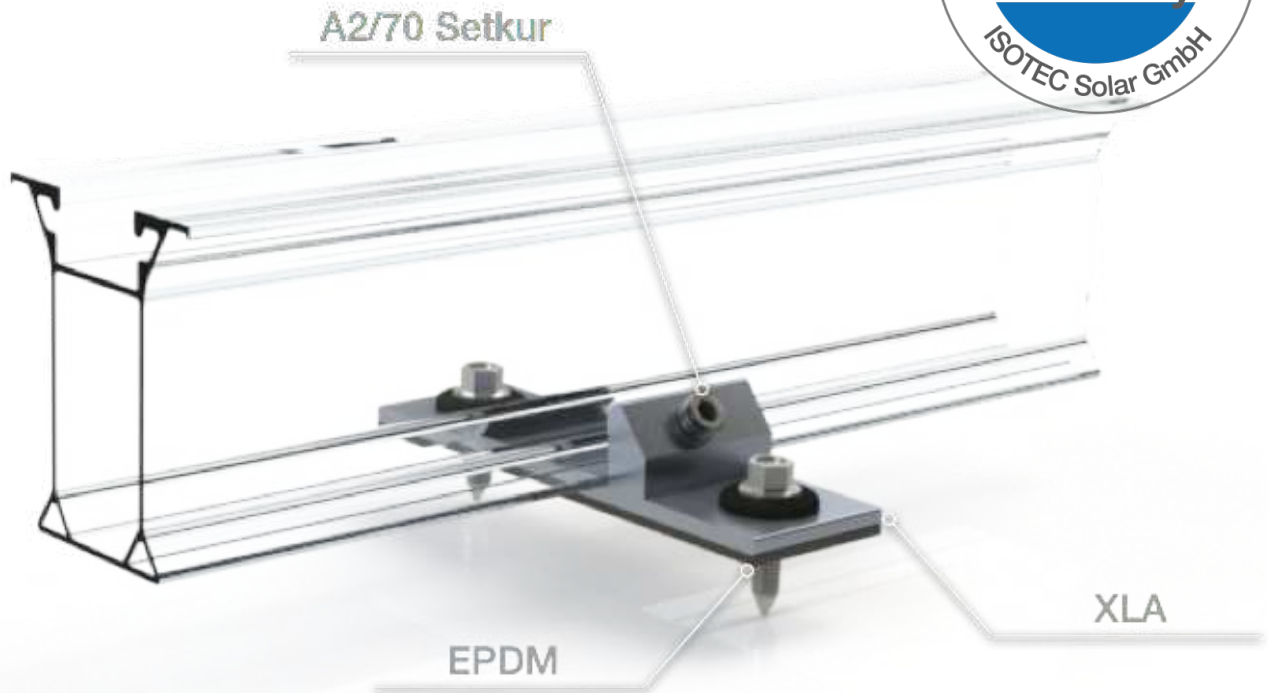


EPDM Rubber

- ▶ Protection for the penetration of water



ISOTRAP XL



Technical Data

ISOTRAP XL23 & XL60	
Scope of application	Pitched roofs with trapezoidal sheet metal or sandwich panels
Compatible Solar Panel	L: 640mm - 1960mm W: 990mm-1010mm H: 30mm - 45mm
Fixation	Self drilling screw or rivet
High options	30 - 45 - 60 - 85mm
Material	Profile and clamps : Aluminium 6063-T66 Support : EPDM Fasteners : Stainless A2-70
Module Orientation	Landscape and Portrait

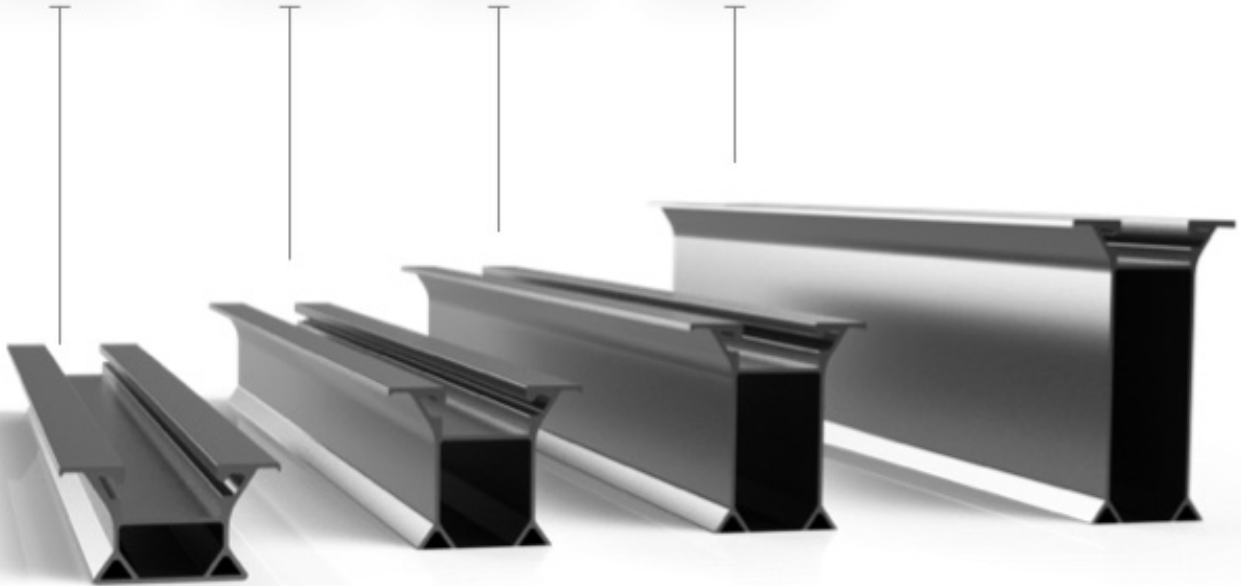
ISOTRAP XL

Beam
30 mm

Beam
45 mm

Beam
60 mm

Beam
85 mm



ISOBEAM V1.1



ENG



+90 216 693 23 49

www.isotec.com.tr

05/2020

Photos



ENG



+90 216 693 23 49

www.isotec.com.tr

05/2020

ISOTEC Enerji San. ve Tic. Ltd. Őti.

Çengeldere - Beykoz - İstanbul

Tel.: 0216 693 23 49

Mail: teklif@isotec.com.tr

Web: www.isotec.com.tr