



MADE IN ITALY



Monocrystalline Photovoltaic Module

Mono Classic 370 - 430 W

SDM72 | BPM72 | MPS72



Italian production plant
assembling with european components



Ultra-robust module
40 mm frame thickness



Customized production
All Black | Translucent | Standard

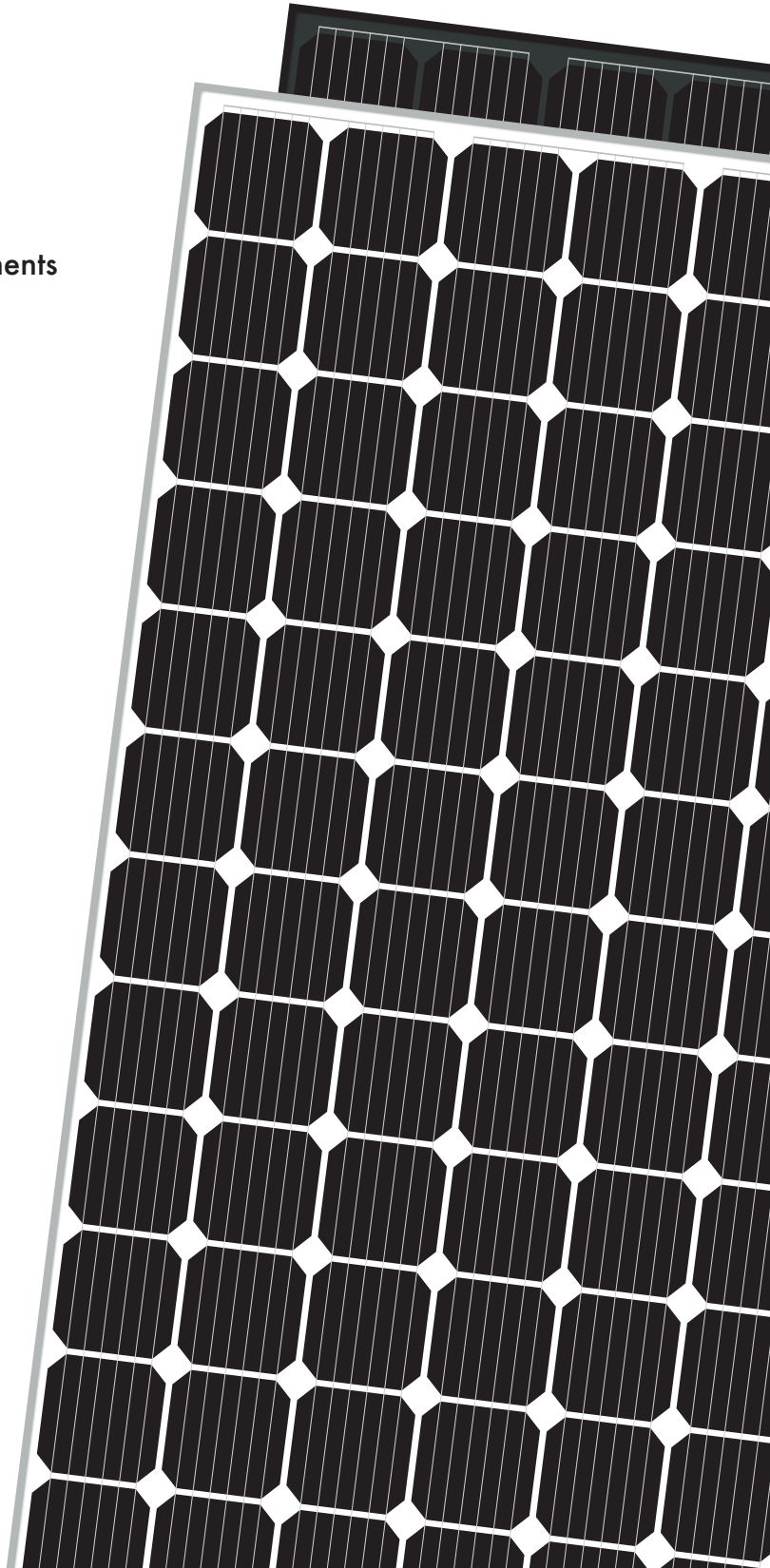


Multibusbars cell connection



Staübli connectors
upon request

www.solarday.it



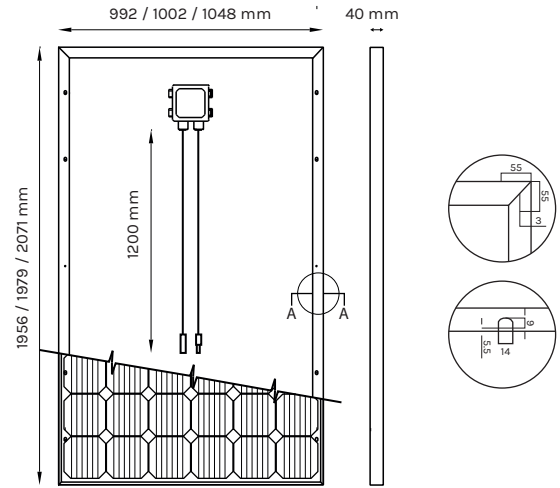
Monocrystalline Photovoltaic Module

Mono Classic 370 - 430 W SDM72 | BPM72 | MPS72



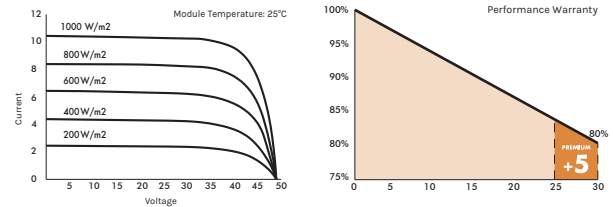
TECHNICAL FEATURES

Cells:	72 (6x12) Monocrystalline Silicon PERC
Available in:	<div style="display: flex; gap: 5px;"> <div style="border: 1px solid black; padding: 2px 5px;">M3</div> <div style="border: 1px solid black; padding: 2px 5px;">M2</div> <div style="border: 1px solid black; padding: 2px 5px;">M6</div> </div>
Frontal Glass:	Glass with low iron content ARC - thickness 3,2 mm Frontal load (snow) 5400 Pa Back load (wind) 2400 Pa
Encapsulant:	EVA (Etilen Vinil Acetato)
Backsheet:	Polymer sheet white
Frame:	Silver anodized aluminum 15 micron Grounding holes (For more information please contact our sales team)
Junction Box:	IP67/IP68 - 1500 V with 3 by pass diodes Cables length 1200 mm Section: 4,0 mm ² ± 1% tolerance
Connectors:	MC4 or compatible connector



WEIGHT, DIMENSIONS AND PACKAGING

SDM72:	21,5 Kg 1956 mm x 992 mm x 40 mm 27 pcs pallet 702 pcs truck
BPM72:	22 Kg 1979 mm x 1002 mm x 40 mm 27 pcs pallet 702 pcs truck
MPS72:	24 Kg 2071 mm x 1048 mm x 40 mm 27 pcs pallet 648 pcs truck



ELECTRICAL CHARACTERISTICS*

	SDM72 370W	BPM72 400W	MPS72 430W
Peak power: Pmax (W)	370	400	430
Classification tolerance:	0/+5 W	0/+5 W	0/+5 W
Voltage Pmax: Vmpp (V)	38.95	41.30	41.20
Current Pmax: Impp (A)	9.50	9.69	10.44
Open circuit voltage: Voc (V)	47.71	50.39	49.40
Short-circuit current: Isc (A)	10.02	10.26	11.06
Maximum system voltage: (V)	1500	1500	1500
Module efficiency: (%)	19.07	20.17	19.81
Maximum fuse rating: (A)	15	15	15

*STC values: 1000W/m², AM 1.5, temperature 25°C. Measurement tolerance +/-3% (AAA Solar simulation - IEC 60.904-9).

TEMPERATURE CHARACTERISTICS

Temperature Coeff. of Voc:	-0,28 % / °C
Temperature Coeff. of Isc:	+0,04 % / °C
Temperature Coeff. of Pmax:	-0,37 % / °C

OPERATIVE CHARACTERISTICS

Operating Temperature:	from -40°C to +85°C
Hailstorm Resistance:	Ø 28 mm, 86 Kg/h
NMOT*:	45 ± 2 °C

*Nominal Module Operating Temperature: Irradiance 800W/m², Temperature 20°C, Wind speed 1m/s

WARRANTIES

20 YEARS
Product Warranty

25 YEARS
Linear Warranty

PREMIUM
+5

SOLARDAY CERTIFICATES

IEC 61215:2016 | EN 61730-1:2016 | EN 61730-2:2016
UNI 9177 Class 1 Fire Class | FIRE TEST MST23 CLASSE C
IEC 62716:2013 | IEC 61701:2011
ECOEM

UNI EN ISO 9001:2015
UNI EN ISO 14001:2015
UNI EN ISO 45001:2018
CE

VKF
SUNDAHUS
BRGB
MCS

Read the instruction manual for this product before proceeding with the installation. In light of continuous technical development, all information in this brochure may be modified by Solarday without notice.

Headquarter (IT)
Via privata Antonio Meucci 67
20128 Milano, Italy
info@solarday.it +39022594171

Factory
Località Merlaro 1, 25070
Nozza di Vestone (BS), Italy
info@solarday.it

Office (ES)
Carrer de les Garrigues 17 p.1
46001 Valencia, España
contact@solarday.it +34962071775