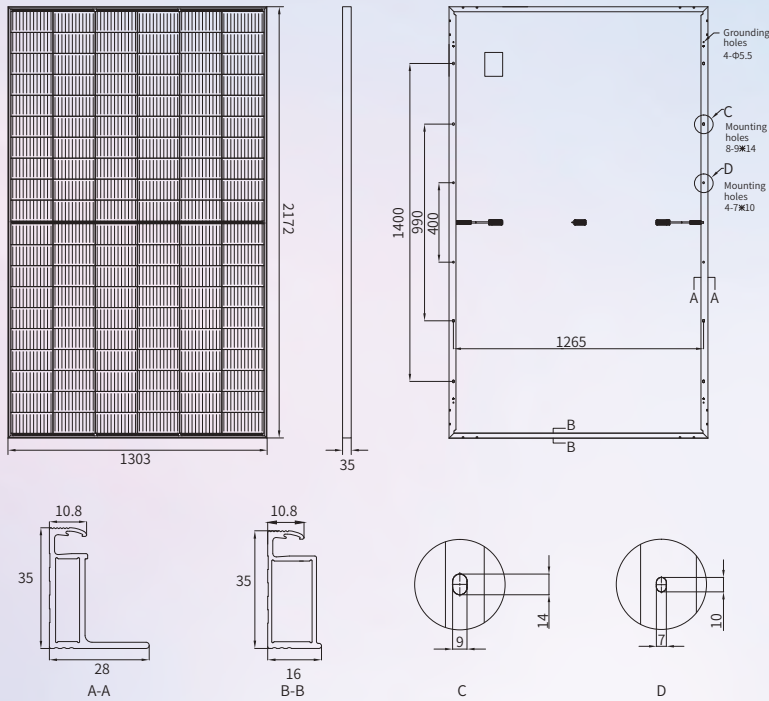


Super high power PERC solar module

JNMM120-590-610

ENGINEERING DRAWING



MECHANICAL PARAMETERS

Cell (mm)	210*105 PERC
Dimensions (L*W*H) (mm)	2172*1303*35
Weight (kg)	30.0
Cable Cross Section Size (mm ²)	4
No. of Cells & Connections	120(6*20)
No. of Diodes	3
Frame	Anodized Aluminium Alloy
Glass Thickness (mm)	3.2

QUALIFICATION

Temperature Cycling Range (°C)	-40~+85
Max. Series Fuse Rating (A)	30
Max.Wind Load/Max.Snow Load (Pa)	2400/5400
Fire Rating	Class C
Junction Box & Connector Protection Grade	IP68

TEMPERATURE COEFFICIENTS

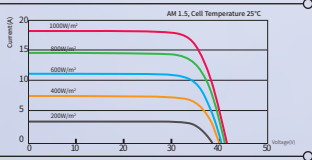
Nominal Module Operating Temperature (NMOT)	43±2°C
Temperature Coefficient Voltage (Voc)	-0.29 %/°C
Temperature Coefficient Current (Isc)	0.04 %/°C
Temperature Coefficient Power (Pm)	-0.34 %/°C

ELECTRICAL PARAMETERS

Module Type (1500V DC)	JNMM120-590	JNMM120-595	JNMM120-600	JNMM120-605	JNMM120-610	
STC AM1.5 1000W/m ² Cell Temperature 25°C	Max. Power at STC (Pmpp/W)	590	595	600	605	610
	Output Tolerance (W)	0+5	0+5	0+5	0+5	0+5
	Max. Power Voltage (Vmp/V)	34.00	34.20	34.40	34.60	34.80
	Max. Power Current (Imp/A)	17.35	17.40	17.44	17.49	17.54
	Open Circuit Voltage (Voc/V)	41.10	41.30	41.50	41.70	41.90
	Short Circuit Current (Isc/A)	18.42	18.47	18.52	18.57	18.62
NMOT AM1.5 800W/m ² Ambient Temperature 20°C Wind Speed 1m/s	Module Efficiency (%)	20.85	21.02	21.20	21.38	21.55
	Max. Power (Pmpp/W)	446.3	450.1	453.9	457.7	461.5
	Max. Power Voltage (Vmp/V)	32.16	32.34	32.53	32.71	32.89
	Max. Power Current (Imp/A)	13.88	13.92	13.95	13.99	14.03
	Open Circuit Voltage (Voc/V)	38.80	38.99	39.18	39.37	39.56
	Short Circuit Current (Isc/A)	14.83	14.87	14.91	14.95	14.99

*Measurement tolerance: Pmax:±3%, Voc:±3%; Isc: ±5%.

I-V CURVE (600W)



PACKING CONFIGURATION

Pieces Per Pallet	31
Pallets Per Container	18
Pieces Per Container	558

DEFAULT

OPTIONAL

Connector Type	<input type="checkbox"/> MC4 Compatible	<input type="checkbox"/> MC4
Cable Length	<input type="checkbox"/> 400mm/300mm	<input type="checkbox"/> Customized
Frame Color	<input type="checkbox"/> Silver	<input type="checkbox"/> Black



TUV: IEC/EN 61215, IEC/EN 61730
 GB/T 19001-2016/ ISO 9001:2015
 GB/T 24001-2016/ ISO 14001:2015
 GB/T 45001-2020/ ISO 45001:2018
 CNAS-CL01: ISO/IEC 17025:2017

12-year Product materials and workmanship quality warranty

Output power		
The 1st year	The 12th year	The 25th year
≥98.00%	≥91.95%	≥84.80%

CAUTION: The electrical parameters in this product datasheet do not refer to only one module. Read safety and installation instructions before using the product. The contents of this specification are for reference only and are subject to change without notice. Jinery reserves the right of final interpretation. JNM-20230901-12.0R © 2023 JINNING CLEAN ENERGY TECHNOLOGY LTD. ALL RIGHTS RESERVED.

