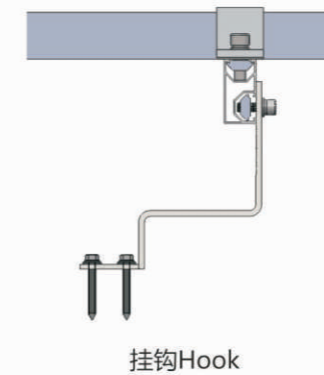


屋顶支架/SolaStrut SolarRooftop

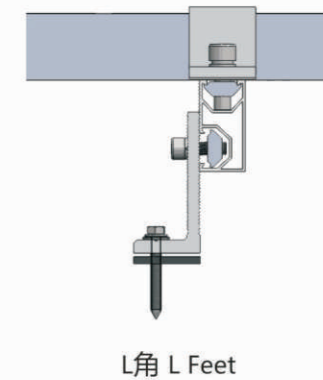
The Universal Rooftop Mounting System



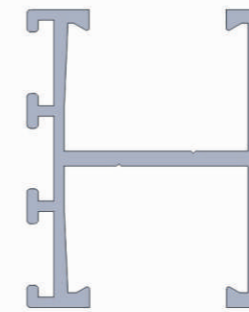
SolaStrut Mounting System Overview



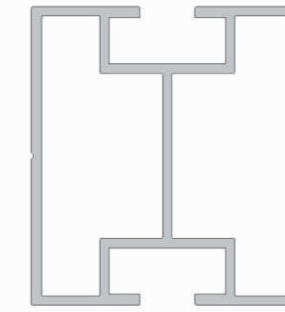
挂钩 Hook



L角 L Feet



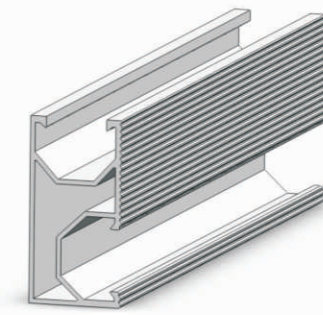
WH-R-11



WH-R-19



WH-FD-02



WH-R-07

技术参数 Technical Features	
Installation Site:	Pitched or flat roof
Applicable Roof Cladding:	Most claddings
Max. Building Height:	Up to 20m
Wind Load:	55m/s
Snow Load:	1.4 KN/m ²
Applicable Module:	Framed or frameless
Module Orientation:	Landscape or portrait
Standards:	AS/NZS 1171.2, MCS 013, TUV
Material:	AL 6005-T5, anodized
Service Life:	25 Years

支架特点 Key Benefits	
安装方便 Easy Installation	预先组装，降低施工时间和成本 Planning and highly pre-assembled system making the solution time and cost effective
良好的通用性 Versatile Application	适应于各类屋面，包括琉璃瓦、金属瓦、混凝土屋面，石板屋顶等 With a full range of roof hooks or brackets, SolaStrut SolarRooftop is suitable for most roofing types including pitched tile roofs, metal roofs, concrete roofs, and slate roofs etc.
兼容性 Great Compatibility	这个设计与市场上的大多数组件边框匹配，具有良好的兼容性 Designed as a universal PV mounting system, SolaStrut SolarMatrix-I is compatible with most of the framed PV modules on the market.
质量高 High Quality	严格控制原材料和产品品质，保证产品的最大强度和寿命 Strict quality control over materials and finished products ensure optimum strength and long life for your installation.
质保十年 10 Years Warranty	Weihang Solar provides a 10 years product warranty for your peace of mind.

Product	SolaStrut Rail	SolaStrut Plus Rail
Item No	WH-SR	WH-SR-P
Type	without cable channel	with cable channel
Dimensions	31.8mm x 53 mm	38.6mm x 53 mm
Standard Length	2100mm/3150mm/4100 mm	2100mm/3150 mm/4100 mm
Color	Silver or Black	Silver or Black
Material	AL 6005-T5, anodized, 12um	AL 6005-T5, anodized, 12um