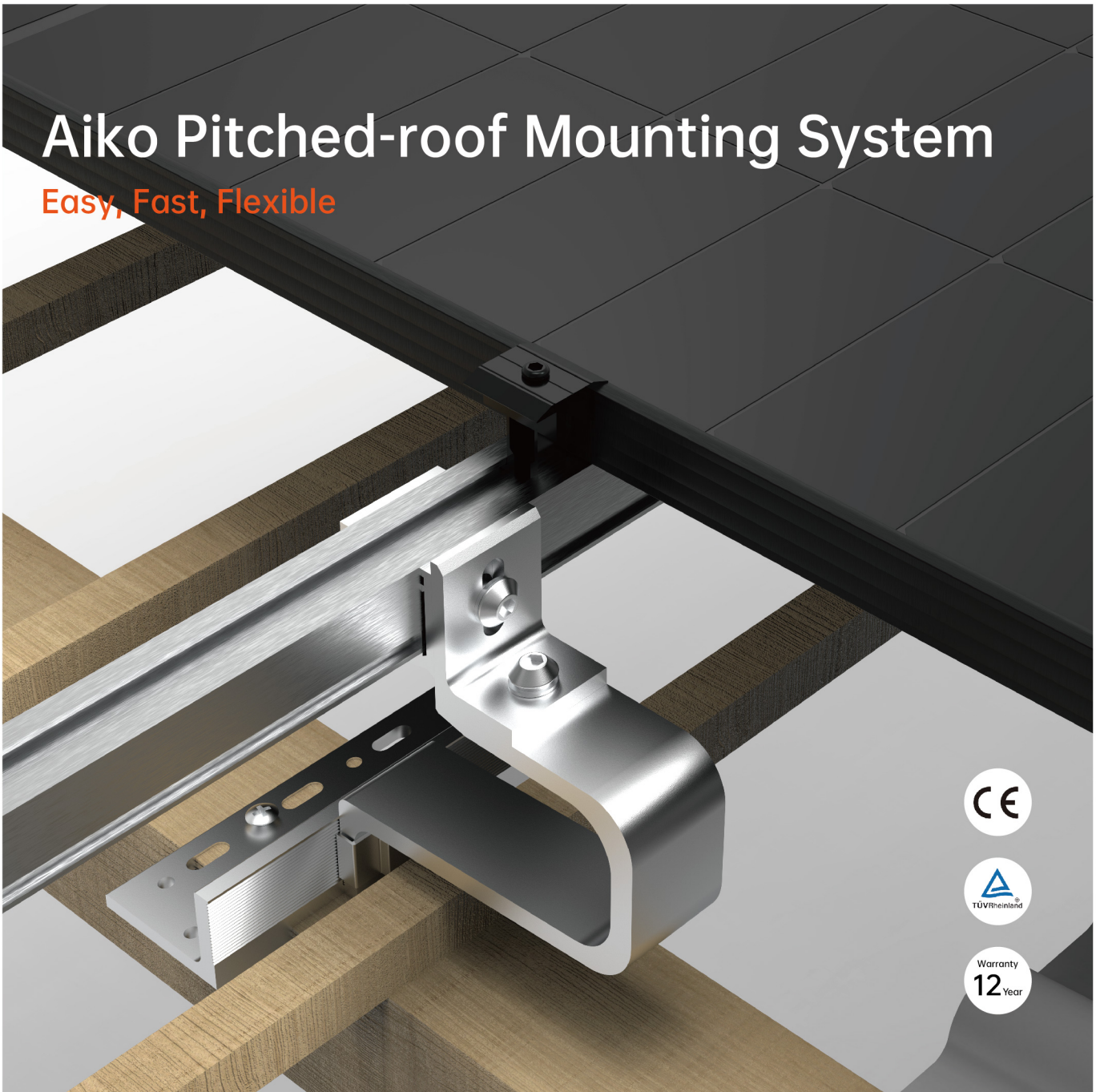


Aiko Pitched-roof Mounting System

Easy, Fast, Flexible



Full Black Aesthetics

- Perfect fit with ABC modules

Fast Installation

- Standard rail for landscape & portrait layout
- Screwless & Flexible Extension full-set delivery

Safe & Reliable

- ETA-certified screw
- Hook thickness up to 9.5mm

Automatic planner

- Digital tool for fast planning

Module Clamps:

Height adjustable

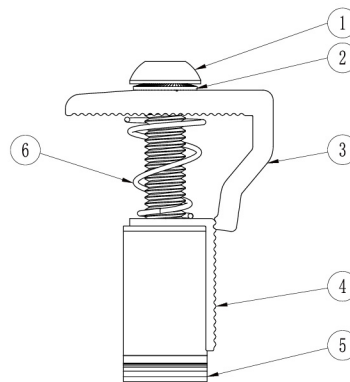
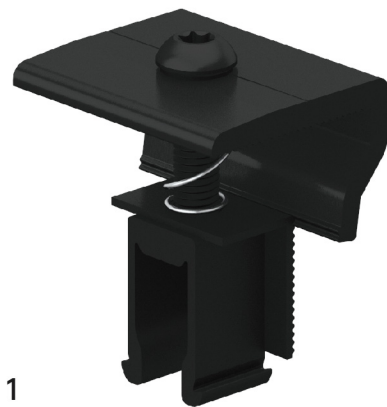
- One-fit-all, clamp height adjustable from 28mm to 46 mm

Full black

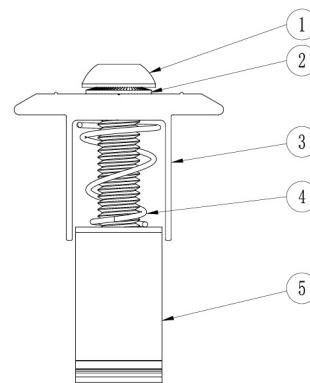
- Black electrolytic coloring $\geq 10\mu\text{m}$
- Fit perfectly with Aiko full black modules

Completely pre-assembled

- Simple click on rail without any preparatory work



- ① Button Head Torx Screws
- ② Lock washer
- ③ End clamp, Length 50mm
- ④ Corrugated L-anchor Plate
- ⑤ M Module
- ⑥ Spring



- ① Button Head Torx Screws
- ② Lock washer
- ③ Outer Clamp, Length 50mm
- ④ Spring
- ⑤ M Module

Number	Name	Adjustment range	Colour
1	EC-28/46 Clamp	28-46 [mm]	Black
2	MC-28/46 Clamp		

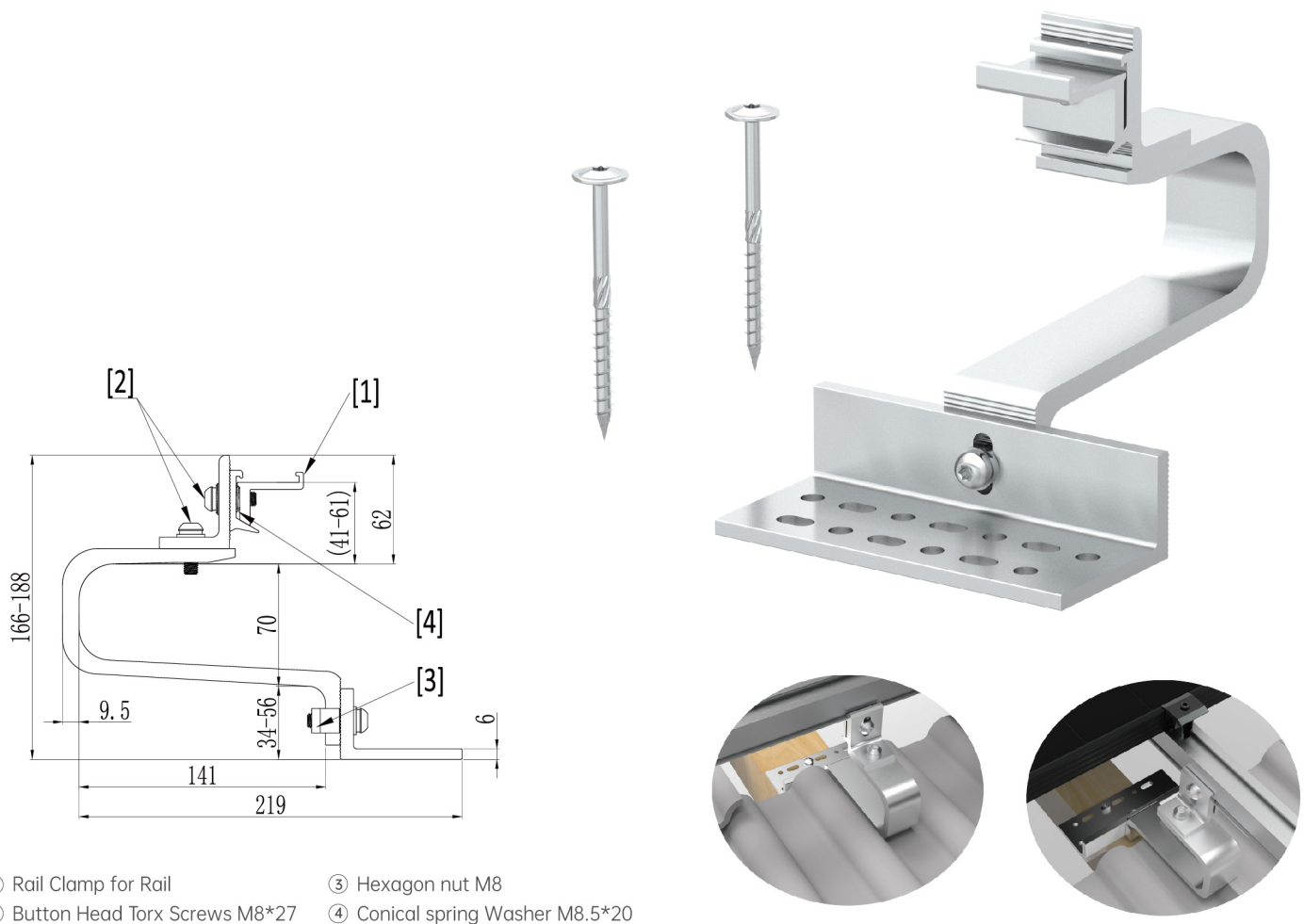
Roof Hook

Flexible due to height and side adjustability

- Hook height adjustable from 34mm to 56mm
- Rotable L foot on the top of hook, compatible with portrait and landscape module layout
- Uniform connection design, One tool for the entire system installation

Completely pre-assembled

- The mounting rail can be attached to the roof hook without any preparatory work.



- ① Rail Clamp for Rail ③ Hexagon nut M8
 ② Button Head Torx Screws M8*27 ④ Conical spring Washer M8.5*20

Thickness [mm]	7.8-9.5
Weight [kg]	0.854
Screw Specification	2 x Wood screws M8*100, T40, ETA Certification
Panel Orientation	Landscape and Portrait
Material	Main parts: AL6005-T5 Bolts/Washers: SUS 304
Colour	Silver

M36/40 Rail

Lateral rail attachment

- Direct lateral connections to the rail with customized height adjustment

Easy, fast and safe installation

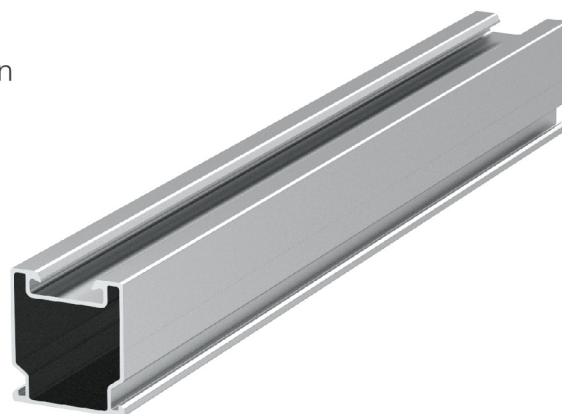
- Patented railing system, buckle-up design for fast installation
- Screwless connection
- Full rectangular structure design, robust and stable

Max. moment of inertia I_x : 5.082 cm⁴

Max. moment of inertia I_y : 4.232 cm⁴

Max. section modulus W_x : 2.485 cm³

Max. section modulus W_y : 2.351 cm³



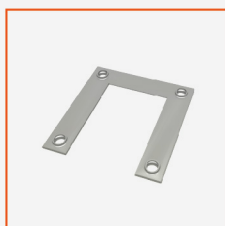
Width=B / Height=H [mm]	36/40	
Sectional area [mm ²]	225.73	
Lengths [mm]	2380	
Weight [kg/m]	0.61	
Material	Aluminium AL6005-T5	
Colour	Silver	

Accessories



GL-M36/40

Grounding Lug for Rail



GC-M36/40

Grounding Clip



CC-4

Capilano Cable Clip



NC-M36/40

Rail Endcap



SP-M36/40

Rail connector

Planning Tool



[Home](#)
[Project](#)
[Roof](#)
[PV-Module](#)
[Design](#)
[Position](#)
[CAD-Plan](#)
[Statics](#)
[E-Designer](#)
[Electric](#)
[Output](#)
[Economy](#)



DXF



DWG



PDF



Take a Screenshot