

HPS100/150HV

Large capacity all-in-one hybrid inverter for commercial application, supporting up to 600kW system capacity.

Features



Multiple MPPTs

2 MPPTs to increase the possibility of PV access, improve the power generation efficiency of solar.



High Battery Voltage Range

600-900V Battery voltage to expand battery configuration flexibility, improve system efficiency.



High PV Voltage range

1500V Level PV voltage to reduce the number of PV cables, lower system investment costs.



Touchscreen LCD



Programmable working mode



Seamless on/off grid transfer within 10 ms



Support remote control of DG



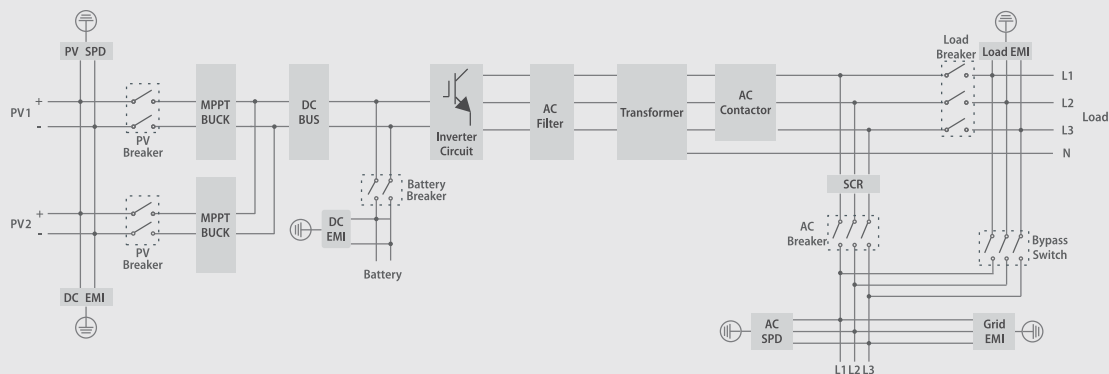
All-in-one hybrid inverter



Quadruple capacity by paralleling 4 units



Block Diagram



HPS100-HV**HPS150-HV****AC(on-grid)**

Apparent power	110kVA	165kVA
Rated power	100kW	150kW
Rated voltage	400V	400V
Rated current	144A	217A
Voltage range	360V-440V	360V-440V
Rated frequency	50/60Hz	50/60Hz
Frequency range	45~55/55~65Hz	45~55/55~65Hz
THDI	<3%	<3%
PF	0.8 lagging~0.8 leading	0.8 lagging~0.8 leading
AC connection	3/N/PE	3/N/PE
AC input	200kVA	240kVA

AC(off-grid)

Apparent power	110kVA	165kVA
Rated power	100kW	150kW
Rated voltage	400V	400V
Rated current	144A	217A
THDU	≤2% linear	≤2% linear
Rated frequency	50/60Hz	50/60Hz
Overload capability	110%-10 mins 120%-1 min	110%-10 mins 120%-1 min

DC (Battery and PV)

Max. PV open-circuit voltage	1500V DC	1500V DC
Max. PV power	150kWp	225kWp
PV MPPT voltage range	900V-1300V DC	900V-1300V DC
MPPT number	2	2
Max. PV current	2*80A	2*100A
Battery voltage range	600-900V	600-900V
Battery voltage range at max. charge power	804V-900V	804V-900V
Max. charge power	150kW	225kW
Max. discharge power	110kW	165kW
Max. charge current	187A	280A
Max. discharge current	183A	275A

General Information

Protection degree	IP20	IP20
Noise emission	<65dB(A)@1m	<65dB(A)@1m
Operating temperature	-25 °C~+55 °C	-25 °C~+55 °C
Cooling method	Forced-air	Forced-air
Relative humidity	0-95% non-condensing	0-95% non-condensing
Max. altitude	6000m (derate over 3000m)	6000m (derate over 3000m)
Dimension (W/H/D)	1200/1900/800mm	1200/1900/800mm
Weight	948kg	1230kg
Build-in transformer	Yes	Yes
Lightning protection	Type II	Type II
Transfer between on/off grid	Automatic≤10ms	Automatic≤10ms
Standby consumption	<30W	<30W

Communication

Display	Touch screen	Touch screen
Communication	RS485/CAN	RS485/CAN

* The MPPT voltage of PV strings should be 50~200V higher than the Max battery voltage.