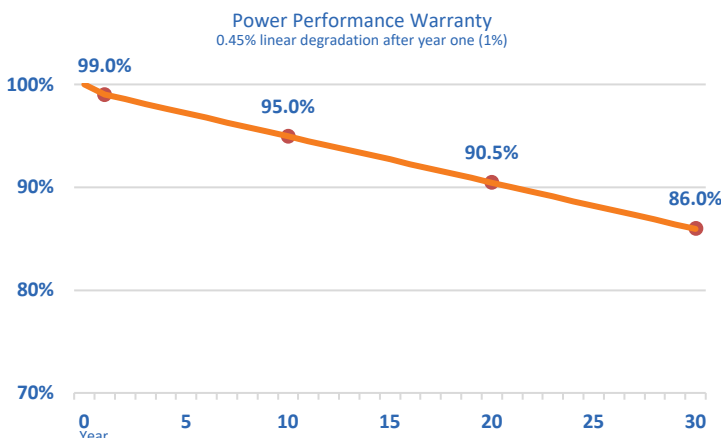
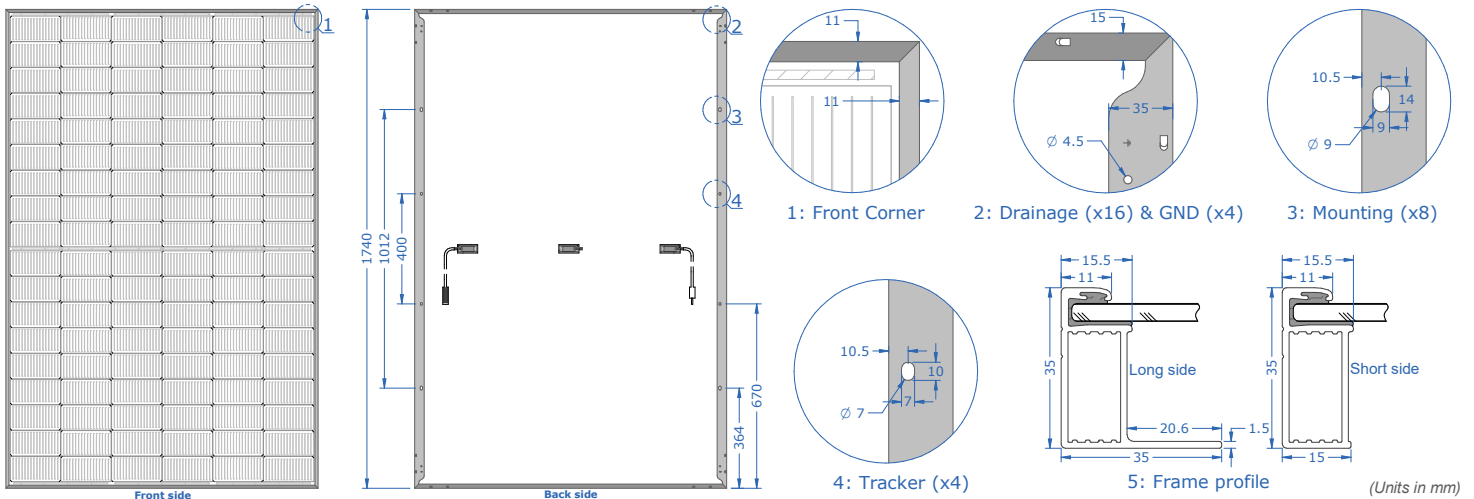


Model Name	AXN10M420W	AXN10M425W	AXN10M430W	AXN10M435W
Maximum Power (+3%)	420	425	430	435
Voc (V)	38.26	38.37	38.58	38.66
Isc (A)	13.71	13.72	13.74	13.76
Vmp (V)	32.62	32.89	33.13	33.40
Imp (A)	12.89	12.94	12.99	13.02
Module Efficiency (%)	21.3%	21.6%	21.8%	22.0%
Series Fuse Rating	30A			
Junction Box Protection	IP68			
Maximum System Voltage	VDC-1500			
Operating Temperature	-40°C to 85°C			
Module type	Framed Mono-Facial Single Glass			
Connector type	Staubli EVO-2A ⁱ			
Cable length	12AWG 1200mm ⁱⁱ			
Maximum snow/wind load	5400Pa(snow)/5400Pa(wind)			
Certification/Fire Type	UL61730; UL1703 Fire Type 1			

22.0% efficiency

- Exceptional PID resistance
- Excellent low light performance
- Linear power degradation
- 2x POE for extra moisture protection
- 35mm frame thickness
- High wind load tested
- 2x Electro-luminescence
- Positive power tolerance
- 1.2m cable
- 1500 VDC
- 30 years power output warranty
- 25 years product guarantee
- Additional certification upon request

i) Amphenol connectors available upon request, ii) Cable length may be customized



Mechanical Characteristics	
Frame	Anodized Aluminum (Silver and Black)
Solar Panel	46.96 lbs/21.30 kg 68.50" x 44.65" x 1.38" 1740mm x 1134mm x 35mm
Shipping Pallet	34 pcs per pallet 1667 lbs/756 kgs 72.52" x 48.66" x 51.85" 1842mm x 1236mm x 1317mm
Container	25 pallets (850 pcs) per 53'
Temperature Coefficients	
NOCT	45 °C
Isc/Voc (per °C)	+0.05%/-0.25%
Pmax (per °C)	-0.29%
Standard Test Conditions (STC)	
Irradiance	1000W/m ²
Module Temperature	25 °C
AM	1.50

Specifications subject to change without notice