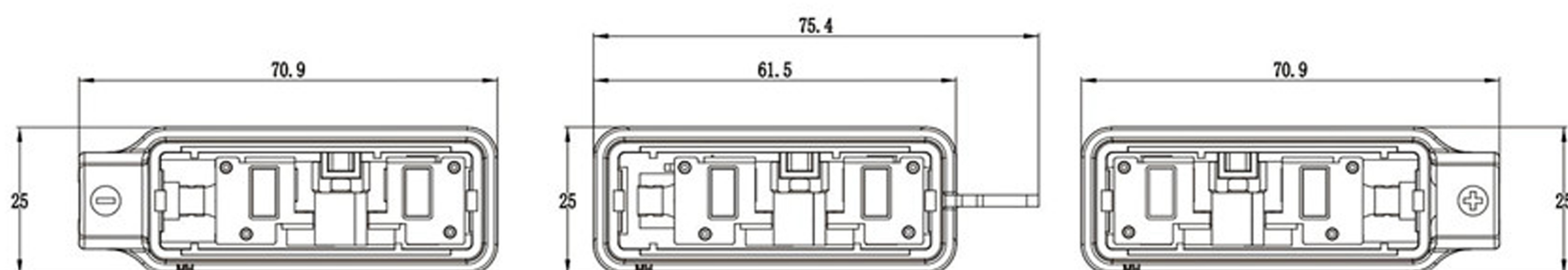


# Photovoltaic *Junction Box*



## PRODUCT PARAMETER

认证/Certifications	TUV
测试标准/Test Standards	IEC 62790:2020
额定电流/Rated Current	20A/22A/25A/30A
额定电压/Rated Voltage	1500V DC
温度范围/Temperature Range	-40~+85°C
安全等级/Safety Class	Class II
保护等级/Protection Degree	IP65/IP68(1m,1h)
线缆尺寸范围/Cable Size Range	4mm <sup>2</sup>
阻燃等级/Flame Resistance	5VB
防水结构 /Waterproofing Structure	灌封胶 / Potting Sealant
灌胶量/Volume of Silicon Gel	约24ml/APPR.24ml
焊带宽度/Width of Copper Ribbons	最大8.5mm / MAX.8.5mm
连接方式/Connection Method	焊接/Soldering
绝缘材料/Insulation Material	PPO
接触材料/Contact Material	铜/Copper