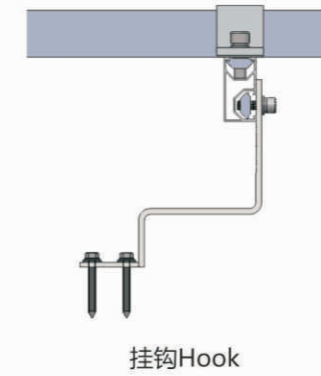


屋顶支架/SolaStrut SolarRooftop

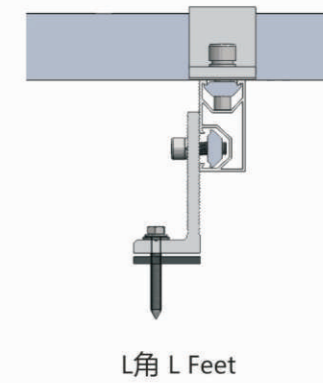
The Universal Rooftop Mounting System



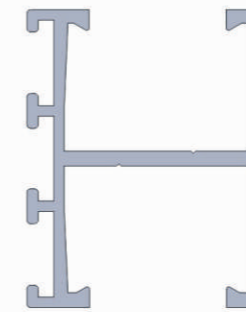
SolaStrut Mounting System Overview



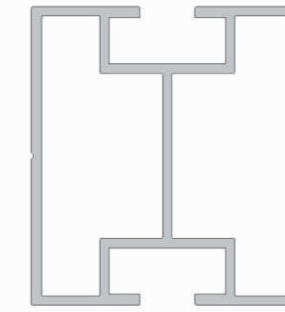
挂钩 Hook



L角 L Feet



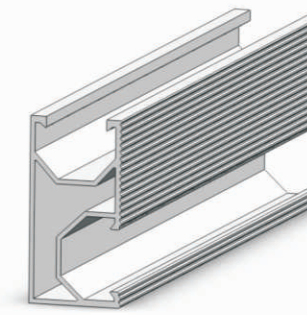
WH-R-11



WH-R-19



WH-FD-02



WH-R-07

技术参数 Technical Features	
Installation Site:	Pitched or flat roof
Applicable Roof Cladding:	Most claddings
Max. Building Height:	Up to 20m
Wind Load:	55m/s
Snow Load:	1.4 KN/m ²
Applicable Module:	Framed or frameless
Module Orientation:	Landscape or portrait
Standards:	AS/NZS 1171.2, MCS 013, TUV
Material:	AL 6005-T5, anodized
Service Life:	25 Years

支架特点 Key Benefits	
安装方便 Easy Installation	预先组装，降低施工时间和成本 Planning and highly pre-assembled system making the solution time and cost effective
良好的通用性 Versatile Application	适应于各类屋面，包括琉璃瓦、金属瓦、混凝土屋面，石板屋顶等 With a full range of roof hooks or brackets, SolaStrut SolarRooftop is suitable for most roofing types including pitched tile roofs, metal roofs, concrete roofs, and slate roofs etc.
兼容性 Great Compatibility	这个设计与市场上的大多数组件边框匹配，具有良好的兼容性 Designed as a universal PV mounting system, SolaStrut SolarMatrix-I is compatible with most of the framed PV modules on the market.
质量高 High Quality	严格控制原材料和产品品质，保证产品的最大强度和寿命 Strict quality control over materials and finished products ensure optimum strength and long life for your installation.
质保十年 10 Years Warranty	Weihang Solar provides a 10 years product warranty for your peace of mind.

Product	SolaStrut Rail	SolaStrut Plus Rail
Item No	WH-SR	WH-SR-P
Type	without cable channel	with cable channel
Dimensions	31.8mm x 53 mm	38.6mm x 53 mm
Standard Length	2100mm/3150mm/4100 mm	2100mm/3150 mm/4100 mm
Color	Silver or Black	Silver or Black
Material	AL 6005-T5, anodized, 12um	AL 6005-T5, anodized, 12um

压块/Clamp

WH-IC



中压块 Mid clamp

- 35mm,40mm,46mm, 50mm
- Silver or black

WH-EC



边压块 End clamp

- 35mm,40mm,46mm, 50mm
- Silver or black

WH-IC-SB



中压块 Mid clamp

- Anodised aluminum
- M8 A2-70 Hex Socket Head Bolt
- 35,40,45,50mm

WH-EC-SB



边压块 End clamp

- Anodised aluminum
- M8 A2-70 Hex Socket Head Bolt
- 35,40,45,50mm

WH-IC-TF-1



中压块 Mid clamp

- 5 mm- 9 mm range
- Silver or black

WH-EC-TF-2



边压块 End clamp

- 5 mm- 9 mm range
- Silver or black

挂钩/Hook

WH-TH-01



Tile Hook

- Clay Tile Roof Hook(Standard)
- Standard T Bolt 25mm
- Lock Washer 8 A2
- Spring Washer M8.4
- Wood Screws 6x 80mm

WH-TH-02



Tile Hook

- Clay Tile Roof Hook
- Standard T Bolt 25mm
- Lock Washer 8 A2
- Spring Washer M8.4
- Wood Screws 6x 80mm

WH-TH-06



Tile Hook

- Heavy Clay Roof Hook
- Hexagon Head Bolt M8 X25
- Lock Washer 8 A2
- Spring Washer M8.4
- Wood Screws 6x 80mm

WH-TH-08



Tile Hook

- Clay Tile Roof Hook(Adjustable)
- Hexagon Head Bolt
- Lock Washer 8 A2
- Spring Washer M8
- Wood screw ST6.3*80mm

WH-TH-10



Tile Hook

- Heavy Clay Roof Hook
- Standard T Bolt 25mm
- Lock Washer 8 A2
- Spring Washer M8
- Wood screw ST6.3*80mm

WH-TH



Tile Hook

- Flat Tile Roof Hook
- Standard T Bolt 25mm
- Lock Washer 8 A2
- Wood Screw ST6.3*80

WH-TB-01



Feet

- Standard L Feet
- Standard T Bolt 25mm
- Lock Washer 8 A2
- Spring Washer M8.4
- Wood Screws 6x 80mm

WH-TB-05



Roof Bracket

- Standing Seam Roof Bracket
- Inside Hexagon head bolt M8*25
- Lock washer 8 A2
- Spring washer M8

WH-TB-06



Roof Bracket

- Universal Roof Bracket
- Hexagon head bolt M8*70
- Lock washer 8 A2
- Spring washer M8

WH-FD-005



Bracket

- Tin Bracket
- Rubber
- Tapping screw ST6.3*25mm

WH-TB-12
点压导轨
SolaStrut U Tin Bracket



- U Tin Bracket
- Rubber
- Tapping screw ST6.3*80mm

WH-TB-015
梯形夹具
SolaStrut SS Tin Bracket



- SS Tin Bracket
- Rubber
- Tapping screw ST6.3*25

WH-EL
接地件
SolaStrut Earthing Lug



- AL 6006-T5 and SUS304 Hex
- Socket Head Bolt M8 X 25 A2-70

WH-EP
导电片
SolaStrut Earthing Plate



- SUS 304

WH-TB-16
L角
SolaStrut Hanger Bolt



- Hanger Bolt
- L-clamp
- Rubber
- Lock washer M10
- Flange Nut M10

WH-TB-07
点压夹具
SolaStrut Kliplok Interface 406/700



- Kliplok 406, Kliplok 700, Speed Deck Ultra Interface
- Hex Socket Head Bolts M8 x25 A2-70
- Compatible with tilt legs and clamps

WH-PC
线夹
SolaStrut Panel Clip



- 65Mn Spring Steel
- Flexible

WH-IB
阻断器
SolaStrut Isolator Bracket



- SUS 304 or aluminum
- Hex Socket Head Bolt M8 x 25 A2-70
- Weatherproof
- Customized size

WH-TL-10/15,15/30,30/60
可调角支架系统
SolaStrut Tilt Legs, adjustable



- 10 to 15, 15 to 30 and 30 to 60 degree range
- Square tubes and thick aluminum tube wall
- Larger Max. support spacing than others
- Corrosion resistant wood screws
- EPDM waterproof gaskets
- 1 screw option or 2 screws options through the roofing material into purlins

WH-WR-FB
防水胶条
SolaStrut Waterproof rubber



- EPDM

WH-EL
导电带
SolaStrut Electric Lead



- CU or Al

WH-TF-10/15,15/30,30/60
三角架支架系统
SolaStrut Triangle Frame, adjustable



- 10 to 15, 15 to 30 and 30 to 60 degree range
- Thick angle aluminum profile
- Larger Max. support spacing than others
- Corrosion resistant wood screws and EPDM waterproof gaskets
- Suitable for application on metal sheet roof and concrete foundation.

WH-CT-BL
电缆扎带
SolaStrut SS Cable Tie, Ball-Lock



- 5mm x 200mm/350mm
- Ball Lock type
- SUS 304
- Silver or PVC coating

WH-CT-LD
线缆扎带
SolaStrut SS Cable Tie, Ladder



- 5mm x 200mm/350mm
- Ladder type
- SUS 304
- Silver or PVC coating