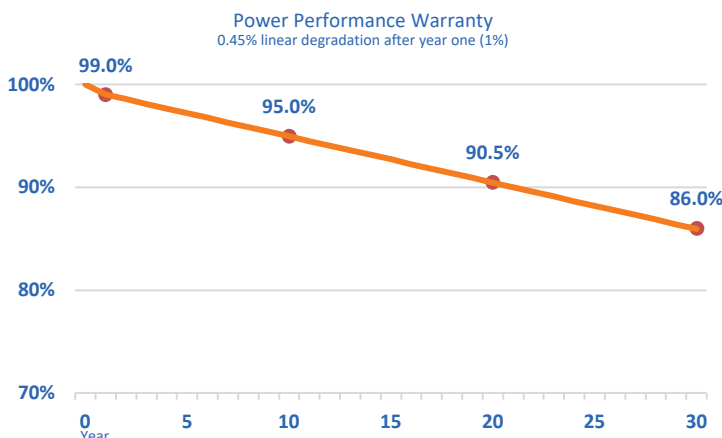
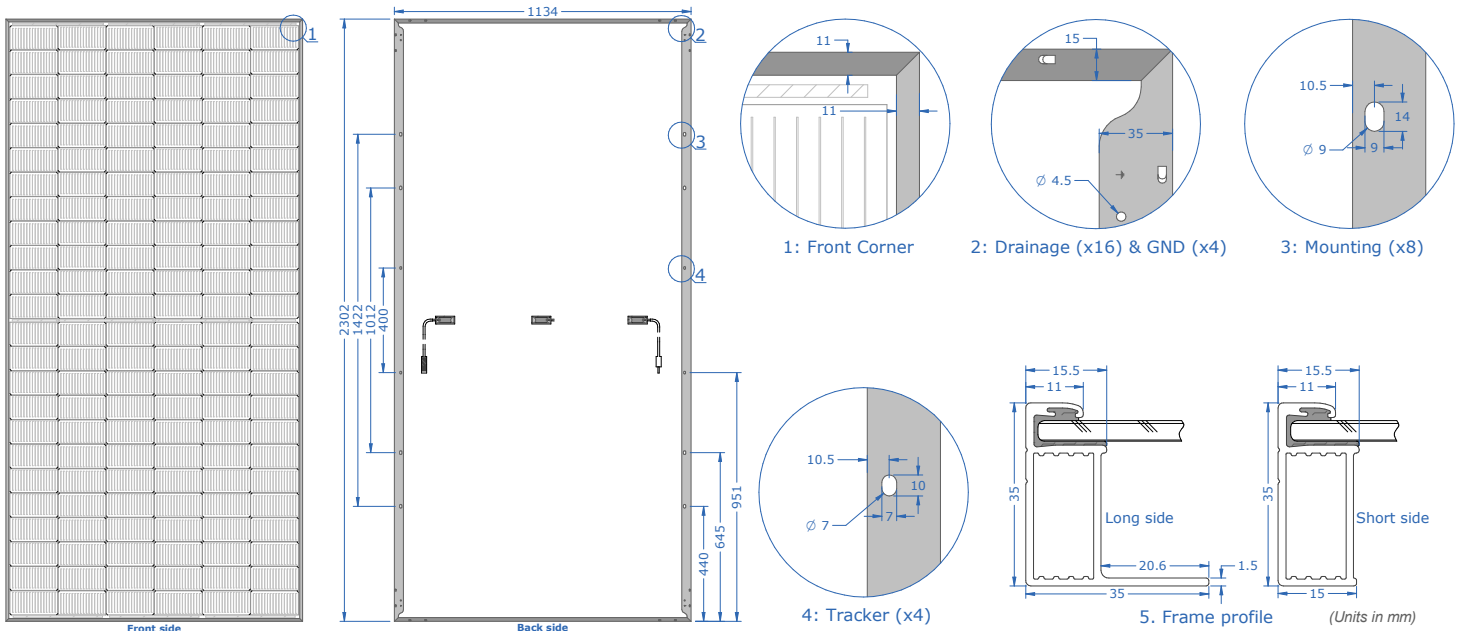


Model Name	AXN10M565W	AXN10M570W	AXN10M575W	AXN10M580W
Maximum Power (+3%)	565	570	575	580
Voc (V)	51.08	51.26	51.37	51.55
Isc (A)	13.71	13.73	13.74	13.76
Vmp (V)	43.72	43.99	44.26	44.53
Imp (A)	12.93	12.97	13.00	13.03
Module Efficiency (%)	21.7%	21.9%	22.0%	22.2%
Series Fuse Rating	30A			
Junction Box Protection	IP68			
Maximum System Voltage	VDC1500			
Operating Temperature	-40°C to 85°C			
Module type	Framed Mono-Facial Single Glass			
Connector type	Staubli EVO-2A ⁱ			
Cable length	12AWG 1200mm ⁱⁱ			
Maximum snow/wind load	5400Pa(snow)/5400Pa(wind)			
Certification/Fire Type	UL61730; UL1703 Fire Type 1			

22.2% efficiency

- Exceptional PID resistance
- Excellent low light performance
- Linear power degradation
- 2x POE for extra moisture protection
- 35mm frame thickness
- High wind load tested
- 2x Electro-luminescence
- Positive power tolerance
- 1.2m cable
- 1500 VDC
- 30 years power output warranty
- 25 years product guarantee
- Additional certification upon request

i) Amphenol connectors available upon request, ii) Cable length may be customized



Mechanical Characteristics	
Frame	Anodized Aluminum (Silver and Black)
Solar Panel	63.63 lbs/28.86 kg 90.63" x 44.65" x 1.38" 2302mm x 1134mm x 35mm
Shipping Pallet	33 pcs per pallet 2193 lbs/995 kgs 94.65" x 48.66" x 50.47" 2404mm x 1236mm x 1282mm
Container	19 pallets (627 pcs) per 53'
Temperature Coefficients	
NOCT	45 °C
Isc/Voc (per °C)	+0.05%/-0.25%
Pmax (per °C)	-0.29%
Standard Test Conditions (STC)	
Irradiance	1000W/m ²
Module Temperature	25 °C
AM	1.50

Specifications subject to change without notice