

PRODUCT OVERVIEW

The ASF series is an all-in-one hybrid inverter which integrates solar energy storage and grid power storage with sine wave AC output. Thanks to DSP control and an advanced control algorithm, the ASF series has a high response speed, high reliability and meets top industry standards.

FEATURES

- **EFFICIENT** – Dual MPPT with up to 99.9% efficiency; up to 22A PV input current perfect for high power modules
- **RELIABLE** - Outputs high quality pure sine wave AC power; 8-10kW load power to meet the needs of most households
- **CONVENIENT INSTALLATION** – Industrial design with a modern aesthetic look; easy to install and simple to use
- **SAFETY** – 360 degrees of security from hardware to software; EU and North American safety approvals
- **COMMUNICATION** – Support various brands of battery communications
- **INTELLIGENT** – Exclusive Li-ion battery BMS dual activation; scheduling function to save costs with peak demand charges

APPLICATIONS

- Emergency power supply.
- Home backup storage.
- Data storage/UPS backup systems.
- Off-grid power storage.
- Solar power storage.



Product Description

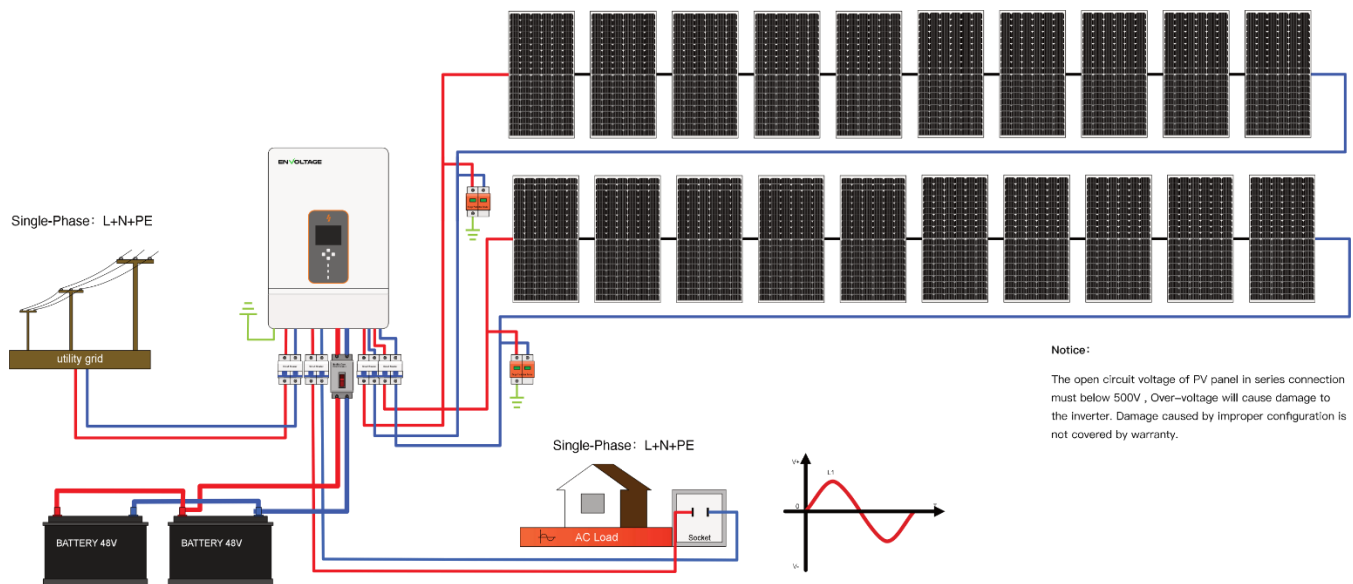
PART#	DESCRIPTION	INPUT VOLTAGE	OUTPUT VOLTAGE	MAX PV INPUT VOLTAGE	POWER OUTPUT
EV-ASF4880U180-H	Hybrid Inverter	90-140Vac	120/240Vac	500Vdc+500Vdc	8000W
EV-ASF48100U200-H	Hybrid Inverter	90-140Vac	120/240Vac	500Vdc+500Vdc	10000W

Specifications

MODEL#	EV-ASF4880U180-H	EV-ASF48100U200-H
INVERTER OUTPUT		
Rated Output Power	8000W	10000W
Maximum Peak Power	16000VA	20000VA
Rated Output Voltage	120Vac (single phase L+N+PE) / 240Vac (split phase L1+L2+N+PE)	
Load Capacity of Motors	5HP	6HP
Rated AC Frequency	50/60Hz	
Waveform	Pure Sine Wave	
Switch Time	10ms (typical)	
Parallel Capacity	/	
Output Mode	Off-grid (default) / Hybrid	
BATTERY		
Battery Type	Lead-acid / Li-ion / User defined	
Rated Battery Voltage	48Vdc	
Voltage Range	40 ~ 60Vdc	
Maximum MPPT Charging Current	180A	200A
Max. Grid/Generator Charging Current	100A	120A
Maximum Hybrid Charging Current	180A	200A
PV INPUT		
Number of MPPT Trackers	2	
Maximum PV Array Power	5500W+5500W	
Maximum Input Current	22A + 22A	
Maximum Voltage of Open Circuit	500Vdc + 500Vdc	
MPPT Voltage Range	125 ~ 425Vdc	
GRID/GENERATOR INPUT		
Input Voltage Range	90-140Vac	
Frequency Range	50/60Hz	
Bypass Overload Current	63A	
EFFICIENCY		
MPPT Tracking Efficiency	99.9%	
Maximum Battery Inverter Efficiency	92%	
GENERAL		
Dimensions	620*445*130mm (2*1.46*0.4ft)	
Weight	27kg (59.5lb)	
Environmental Protection	IP20, Indoor Only	
Operating Temperature Range	-15~-55°C, >45°C derated (5~131°F, >113°F derated)	
Noise	<60dB	
Cooling Method	Internal Fan	
Warranty	2 years	

MODEL#	EV-ASF4880U180-H	EV-ASF48100U200-H
COMMUNICATION		
Embedded Interfaces	RS485 / CAN / USB / Dry contact	
External Modules (Optional)	WiFi / GPRS	
CERTIFICATION		
Safety	IEC62109-1, IEC62109-2, UL1741	
EMC	EN61000-6-1, EN61000-6-3, FCC 15 Class B	
Rohs	Yes	

Single Phase System Configuration



Notice:

The open circuit voltage of PV panel in series connection must below 500V , Over-voltage will cause damage to the inverter. Damage caused by improper configuration is not covered by warranty.