

MONO CRYSTALLINE MODULE

380 / 385 / 390 / 395 / 400 Watts

Black Panther



Overview

A fully certified, premium quality and high efficiency module made with A Grade materials. Proven reliability and robustness.

Key Benefits



Certified by Independent Engineering Bodies



Product Liability Insurance



Engineered in EU



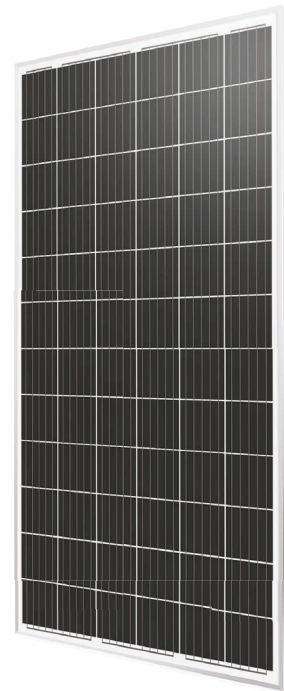
15 Years Limited Product Warranty



Anti-PID Technology



Better Performance in Reduced Irradiance Conditions



Guaranteed mechanical resistance to severe weather conditions



Positive Tolerance up to 5W

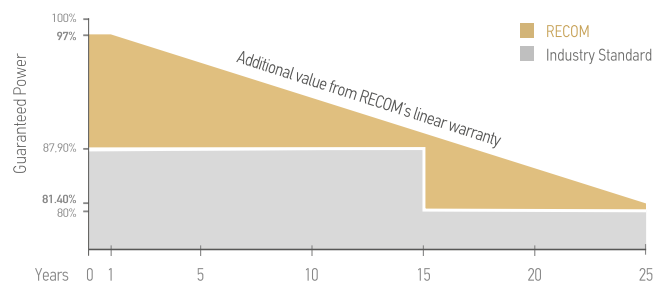


100 % electro-luminescence tested

Tests, Certifications and Warranties

Standard Tests	IEC 61215, IEC 61730
Factory Quality Tests	ISO 9001: 2015, ISO 14001: 2015
Certifications	Conformity to CE, PV CYCLE
Insurance	Product liability insurance provided by Allianz
Wind and Snow Loads Testing	Module certified to withstand extreme wind (2400 Pascal) and snow loads (5400 Pascal)
Power Tolerance	Guaranteed +0%/ +5% (STC condition)
Warranties	<ul style="list-style-type: none"> 15-year limited product warranty 15-year manufacturer warranty on 87.90% of the nominal performance 25-year transferable linear power output warranty

Linear Performance Warranty



First Year Output $\geq 97\%$ 2-25 Year Decline $\leq 0.65\%$ 25 Year Output $\geq 81.4\%$

MONO CRYSTALLINE MODULE

RCM-xxx-6MA (xxx=380-400)

Electrical Characteristics

POWER CLASS ⁽¹⁾			380		385		390		395		400	
Testing Condition			STC ⁽²⁾	NMOT ⁽³⁾	STC	NMOT	STC	NMOT	STC	NMOT	STC	NMOT
Maximum Power	P _{max}	[Wp]	380	284.2	385	287.9	390	291.8	395	295.6	400	299.5
Maximum Power Voltage	V _{mp}	[V]	40,1	37,3	40,3	37,5	40,5	37,7	40,7	37,9	40,9	38,1
Maximum Power Current	I _{mp}	[A]	9,48	7,62	9,56	7,68	9,63	7,74	9,71	7,8	9,78	7,86
Open Circuit Voltage	V _{oc}	[V]	48,5	45,3	48,7	45,5	48,9	45,7	49,1	45,9	49,3	46,1
Short Circuit Current	I _{sc}	[A]	9,93	8,02	10,0	8,08	10,07	8,14	10,14	8,2	10,21	8,26
Module Efficiency	Eff	[%]	19,2%		19,4%		19,7%		19,9%		20,1%	
Maximum Series Fuse	I _r	[A]	20									
Maximum System Voltage	V _{sys}	[V]	1000 / 1500 V DC (IEC)									

(1) Measurement Tolerances: P_{max} (± 3%), I_{sc} & V_{oc} (± 5%) - Power Classification 0/+5W

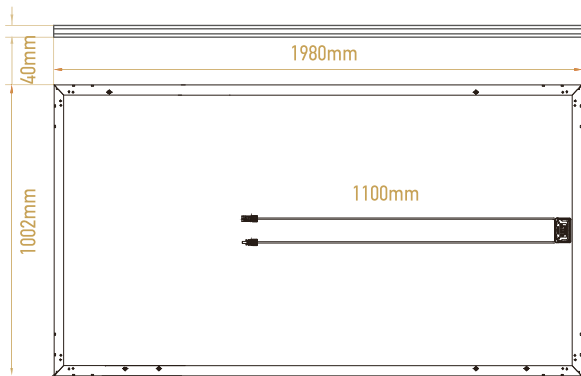
(2) STC (Standard Testing Condition): Irradiance 1000W/m², Cell Temperature 25°C, AM 1.5

(3) NMOT (Nominal Operating Module Temperature): Irradiance 800W/m², NMOT, Ambient Temperature 20°C, AM 1.5, Wind Speed 1m/s

Mechanical Data

Dimensions	1980mm x 1002mm x 40mm
Weight	22.1 Kg
Cell Type	Mono Perc - 158.75mm (6 x 12 Pcs)
Front Glass	3.2mm tempered glass
Rear Side	PET synthetic film
Frame	Aluminium aluminium alloy
Junction Box	IP68 rated (3 bypass diodes)
Connector	MC4 compatible
Output cable	4mm ² - Length = 1100mm or customized

Dimensions

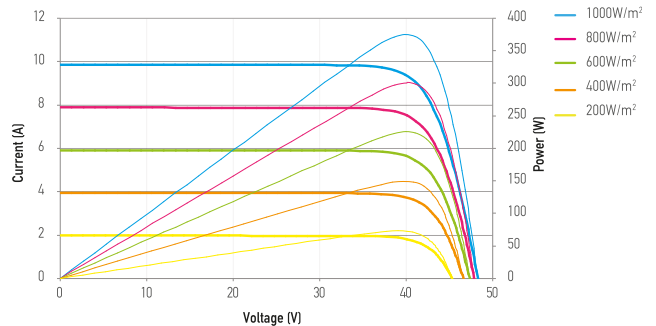


RECOM assumes no liability or responsibility for any typographical error, layout error, misinformation, any other error, omission, contained herein.

recom-solar.com

I-V Curve

The module relative power loss at low light irradiance of 200W/m² is less than 3%.



Temperature Characteristics

P _{max} Temperature Coefficient	-0.37% / °C
V _{oc} Temperature Coefficient	-0.34% / °C
I _{sc} Temperature Coefficient	+0.06% / °C
Operating Temperature	-40~+85 °C
Nominal Operating Module Temperature (NMOT)	42 ± 2 °C

Packing Configuration

Container	20'GP	40'HC
Pieces per Pallet	26	28
Pallets per Container	10	22
Pieces per Container	260	616

The specification and key features described in this datasheet may deviate slightly and are not guaranteed. Due to on-going innovation, research and product enhancement, RECOM Solar reserves the right to make any adjustment to the information described herein at any time without notice. Please always obtain the most recent version of the datasheet which shall be duly incorporated into the binding contract made by the parties governing all transactions related to the purchase and sale of the products described herein. Please read the safety and installation instructions before using the modules.

© Copyright 2020. RECOM

**Release RCM-xxx-6MA(XXX=380-400)-5-G1-40-SW-011-2020-05-ver1.0