

# TRITEC

ENERGY FOR A BETTER WORLD

# TRI-FLAT EASYSPEED

The innovative flat roof system.



- simple
- quick
- efficient

## The main advantages:

- Quick assembly due to preassembled components
- No time-consuming measuring work required
- Low concentrated loads on the roofing and insulation

[www.tritec-energy.com](http://www.tritec-energy.com)



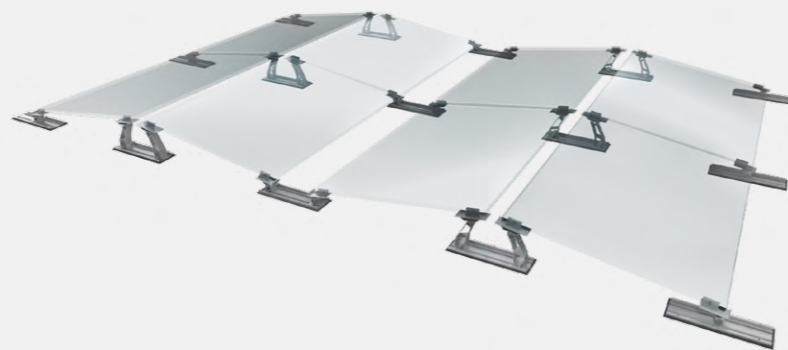
# TRI-FLAT EASYSPEED

Extrem fast assembly with few components

## Innovation that is well worth seeing.

The TRI-FLAT Easyspeed is an innovative flat roof system that requires few components and can be installed quickly and easily.

With only a few components it is possible to install different systems in east/west and south variants on flat roofs.



## Outstanding advantages.

- Large mounting plates ensure low concentrated loads
- Modules are supported in a stress-free way thanks to the movable adapters
- No long rails, low thermal expansion and optimum water drainage
- Clamping possible on both the short and long sides of the module
- Very easy to install thanks to pre-assembled components
- Ballast-optimised (aerodynamic system)
- No time-consuming surveying work
- Quick and easy mounting
- Perfect for storage and handling
- Wind tunnel tested

## Quality you can rely on.

With the TRI-FLAT Easyspeed mounting system, you are relying on the highest quality standards. Recognised test centres confirm this with their seal of approval.



# THE SYSTEM COMPONENTS

All components at a glance

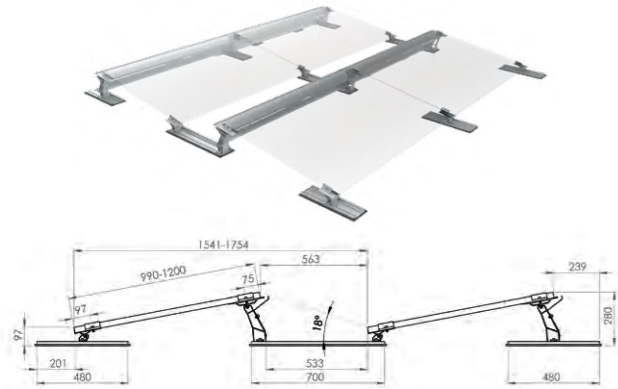
 <b>TRI-FLAT Easyspeed small raiser</b> Standard • Item no.: 1503301	 <b>TRI-FLAT Easyspeed large raiser</b> Standard • Item no.: 1503302	 <b>TRI-FLAT Easyspeed end clamp</b> Standard • Item no. 30 mm: 1503305 • Item no. 32 mm: 1503318 • Item no. 35 mm: 1503306 • Item no. 40 mm: 1503335	 <b>TRI-FLAT Easyspeed wind deflector plate 1945 / 2145 / 2395</b> Standard <b>Wind deflector plate 1945</b> • Modul length: 1.650 - 1.850 mm • Item no.: 1503315 <b>Wind deflector plate 2145</b> • Modul length: 1.851 - 2.050 mm • Item no.: 1503316 <b>Wind deflector plate 2395</b> • Modul length: 2.051 - 2.300 mm • Item no.: 1503317
 <b>TRI-FLAT Easyspeed small plate 140</b> Standard • Dimensions: 480 x 140 mm • Item no.: 1503303	 <b>TRI-FLAT Easyspeed large plate 140</b> Standard • Dimensions: 700 x 140 mm • Item no.: 1503312	 <b>TRI-FLAT Easyspeed middle clamp 30 - 40 mm</b> Standard • Item no.: 1503304	
 <b>TRI-FLAT Easyspeed small plate 220</b> Optional • Dimensions: 480 x 220 mm • Item no.: 1503313	 <b>TRI-FLAT Easyspeed large plate 220</b> Optional • Dimensions: 700 x 220 mm • Item no.: 1503314	 <b>TRI-FLAT Easyspeed ballast tray 2025 / 2225 / 2475</b> Optional <b>Ballast tray 2025</b> • Modul length: 1.650 - 1.850 mm • Item no.: 1503321 <b>Ballast tray 2225</b> • Modul length: 1.851 - 2.050 mm • Item no.: 1503322 <b>Ballast tray 2475</b> • Modul length: 2.051 - 2.300 mm • Item no.: 1503323	 <b>TRI-FLAT Easyspeed gravel ballast tray 2025 / 2225 / 2475</b> Optional <b>Gravel ballast tray 2025</b> • Modul length: 1.650 - 1.850 mm • Item no.: 1503325 <b>Gravel ballast tray 2225</b> • Modul length: 1.851 - 2.050 mm • Item no.: 1503326 <b>Gravel ballast tray 2475</b> • Modul length: 2.051 - 2.300 mm • Item no.: 1503327
 <b>TRI-FLAT Easyspeed shim</b> Optional • Item no.: 1503330	 <b>TRI-FLAT Easyspeed ballast brace</b> Optional • Item no.: 1503307		
 <b>TRI-FLAT Easyspeed small cable cover</b> Optional • Item no.: 1503308	 <b>TRI-FLAT Easyspeed large cable cover</b> Optional • Item no.: 1503311	 <b>TRI-FLAT Easyspeed washer</b> Optional • Item no.: 1503342	 <b>TRI-FLAT Easyspeed hexagon socket bolt</b> Optional • Item no.: 1503341
 <b>TRI-FLAT Easyspeed wind deflector plate clip</b> Accessories • Item no.: 1503340	 <b>TRI-STAND Edge Clip Cable Tie TS-EC</b> Accessories • Item no.: 1502246		

# SYSTEM OVERVIEW

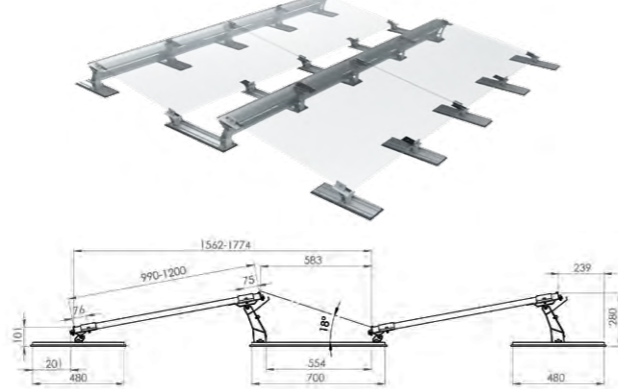
One system - many possibilities

Simply fast on the roof: The TRI-FLAT Easyspeed flat roof system in many variants.

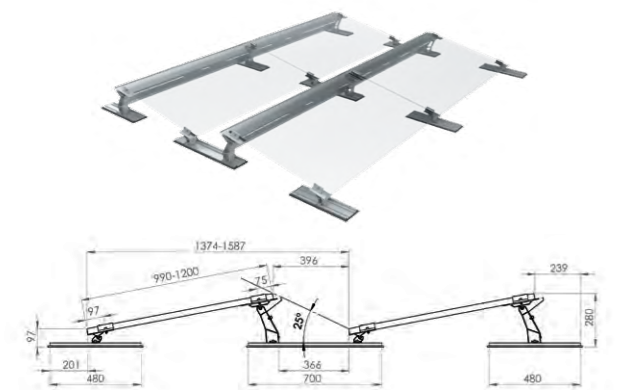
- **South, 18° angle for shading clearance**  
Modules are clamped on the short side



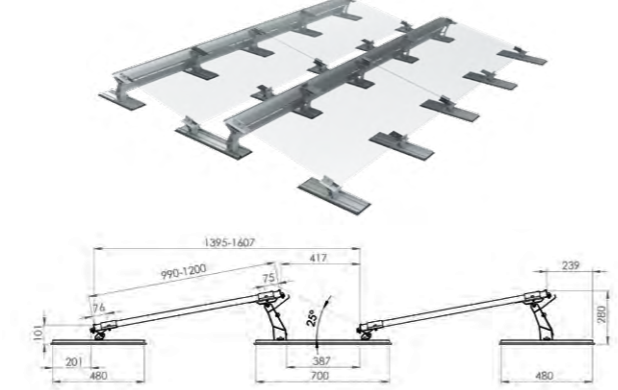
- **Alpine South, 18° angle for shading clearance**  
Clamping on short as well as long side of the module



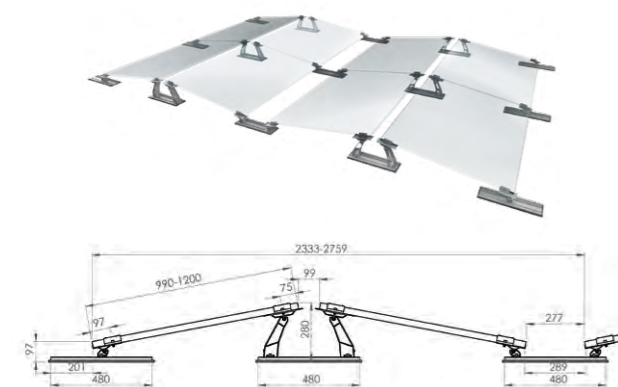
- **South, 25° angle for shading clearance**  
Modules are clamped on the short side



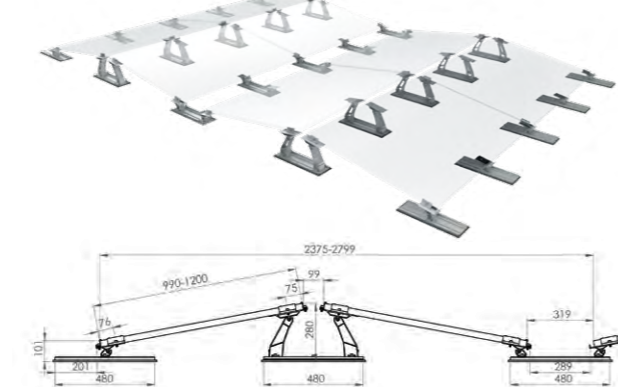
- **Alpine South, 25° angle for shading clearance**  
Clamping on short as well as long side of the module



- **East/West**  
Modules are clamped on the short side



- **Alpine East/West**  
Clamping on short as well as long side of the module



# BALLAST VARIANTS

Ballast brace or ballast tray

Ballast brace



Ballast tray





# LEARN MORE

## General information

# TRITEC

<b>Use:</b>	Flat roofs: foil, bitumen and gravel roofs
<b>Roof pitch:</b>	Up to 5° depending on roof conditions without roof connection
<b>Max building height:</b>	25 metres
<b>Orientation:</b>	East/west and south facing
<b>System inclination:</b>	Approx. 10°
<b>Modules:</b>	Framed modules
<b>Module sizes:</b>	Width: 950 - 1200 mm x Length: 1650 - 2300 mm
<b>Module orientation:</b>	Horizontal
<b>Max. module field size:</b>	21 x 21 metres
<b>Row spacing:</b>	South 18°: 563 mm South 25°: 396 mm East/West: 376 mm
<b>Distance from roof surface:</b>	Approx. 70 mm
<b>Distance from roof edge:</b>	Roof zones F and G can be occupied in accordance with EN 1991-1-4 (minimum edge distance 600 mm)
<b>Wind load:</b>	Up to 2,4 kN/m <sup>2</sup>
<b>Snow load:</b>	Up to 5,4 kN/m <sup>2</sup>
<b>Proof of stability:</b>	Software-assisted on the basis of wind tunnel investigations
<b>Properties and condition of roof:</b>	On-site checks must be carried out by the contractor to ensure that the roof construction and the building's supporting structure offer the necessary static load-bearing capacity and that the compressive strength of the thermal insulation is sufficient.
<b>Materials:</b>	Aluminium EN AW 6063/6005; sheet steel with an aluminium-zinc coating; small parts made from A2-70 stainless steel; building protection mat made from non-woven polyester
<b>Screw mounting:</b>	M8 (A2-70)
<b>Torque:</b>	15 Nm

### The optimal mounting solution for every roof

TRITEC mounting systems combine over 30 years of photovoltaic experience. Our own products TRI-STAND, TRI-ROOF+, TRI-CLIP and TRI-FLAT Easyspeed offer optimum PV mounting solutions for the various requirements of different roof types and alignments. We attach great importance to the high-quality processing of the components as well as to the durability of the substructure.

Further information and the download of the assembly instructions you will find on our homepage [www.tritec-energy.com](http://www.tritec-energy.com).

Or just talk to us directly. Our experts are at your disposal to answer all your questions.



**Contact**  
[info@tritec-energy.com](mailto:info@tritec-energy.com)  
[www.tritec-energy.com](http://www.tritec-energy.com)