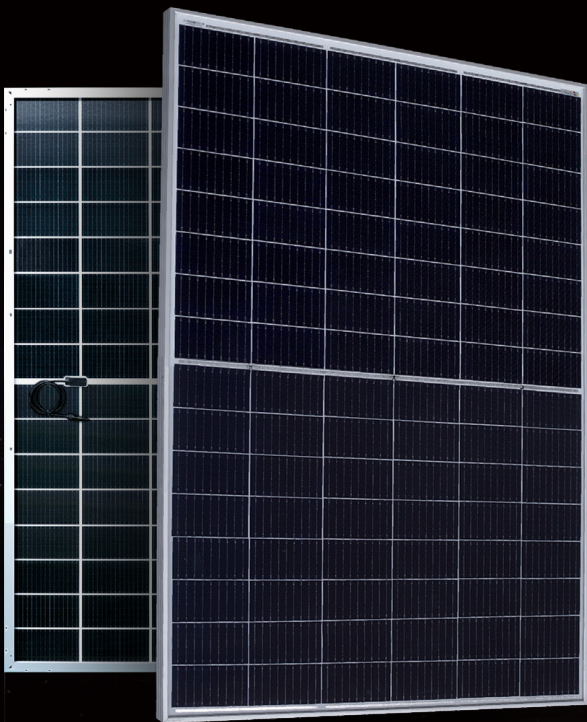




AESOLAR

since 2003



METEOR

More power, less degradation

30
years
Performance
Warranty

15
years
Product
Warranty

435W-455W

AE CMER-96BDS Series

N-TYPE TOPCON TECHNOLOGY PV MODULES
HALF-CUT CELLS • BLACK • DOUBLE-GLASS

www.ae-solar.com

Ver. 24.1.1

96

HALF
CELLS

210R
mm

CELL
SIZE



LID
RESISTANT



PID
RESISTANT



SALT CORROSION
RESISTANT



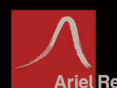
SAND
RESISTANT



AMMONIA
RESISTANT



HIGHLY STABLE
AND TOUGH



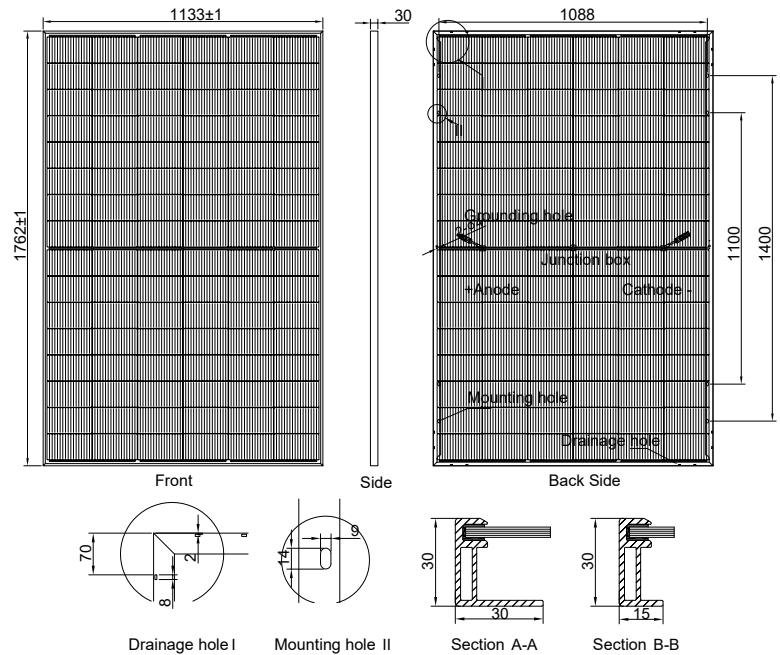
AE CMER-96BDS Series 435W-455W



N-TYPE TOPCON TECHNOLOGY PV MODULES
HALF-CUT CELLS • BIFACIAL • DOUBLE-GLASS

Mechanical and design specification

Cell type	n-Type TOPCon Technology, Half-cut cells, 210R mm
No. of cells	96
Bifaciality	80 ± 5%
Front cover	1.8 mm glass, high transmission, AR coated, tempered
Encapsulation	POE
Back cover	1.8 mm white glazed glass, tempered
Junction box	IP68 rated, 3 Bypass Diodes
Frame	30 mm anodized Aluminium alloy
Cable	1 x 4 mm ² , 350 mm length or customized
Connectors	MC 4 / MC 4 compatible
Dimension	1762 mm x 1133 mm x 30 mm
Weight	23 kg
Hail resistance	Max. Ø 25 mm at 23 m/s
Wind load	2400 Pa or 244 kg/m ²
Snow load	5400 Pa or 550 kg/m ²
Fire Rating	Class A (according to UL 790)

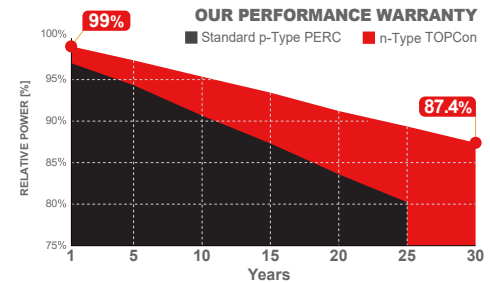
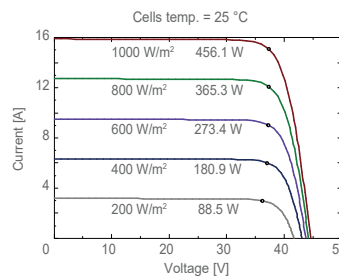


Packaging information

Packaging configuration	36 pcs / pallet
Loading capacity	936 pcs / 40 HQ
Size / Pallet	1790 mm x 1140 mm x 1245 mm
Weight	875 kg / pallet

Temperature ratings

Operating temperature	(°C)	-40 to +85
Temp.coefficient of P _{max}	(%/°C)	-0.30
Temp.coefficient of V _{oc}	(%/°C)	-0.25
Temp.coefficient of I _{sc}	(%/°C)	0.046
Nom. operating temp. NOCT	(°C)	42 ± 2



Electrical specifications (STC*): AE435CMER-96BDS AE440CMER-96BDS AE445CMER-96BDS AE450CMER-96BDS AE455CMER-96BDS

	P _{max} (Wp)	435	440	445	450	455
Nominal Max. Power	P _{max} (Wp)	435	440	445	450	455
Maximum operating voltage	V _{MPP} (V)	29.22	29.50	29.78	30.06	30.34
Maximum operating current	I _{MPP} (A)	14.89	14.92	14.95	14.98	15.01
Open-circuit voltage	V _{oc} (V)	34.77	35.05	35.33	35.61	35.89
Short-circuit current	I _{sc} (A)	15.76	15.89	15.93	15.96	15.99
Module efficiency	η (%)	21.79	22.04	22.29	22.54	22.79
Power tolerance	(W)	0~+5				
Maximum system Voltage	(V)	1500				
Maximum series fuse rating	(A)	35				

*STC: Standard test conditions (Irradiance 1000 W/m², Cell temperature 25°C and air mass of AM1.5), measurement tolerance P_{max}: ±3%

Electrical specifications (NMOT*): AE435CMER-96BDS AE440CMER-96BDS AE445CMER-96BDS AE450CMER-96BDS AE455CMER-96BDS

	P _{max} (Wp)	327	331	335	338	342
Nominal Max. Power	P _{max} (Wp)	327	331	335	338	342
Maximum operating voltage	V _{MPP} (V)	27.08	27.36	27.64	27.92	28.20
Maximum operating current	I _{MPP} (A)	12.08	12.12	12.18	12.23	12.24
Open-circuit voltage	V _{oc} (V)	32.43	32.71	32.99	33.27	33.55
Short-circuit current	I _{sc} (A)	12.70	12.79	12.85	12.88	12.90

*NMOT: Normal Module Operating Temperature (Irradiance 800 W/m², Ambient temperature 20°C, air mass of AM1.5 and wind speed of 1 m/s)

The specifications and characteristics contained in this datasheet may deviate slightly from our actual products due to the product developments and uncertainty of measurement devices. The specifications included in the datasheet are subject to change without prior notice.