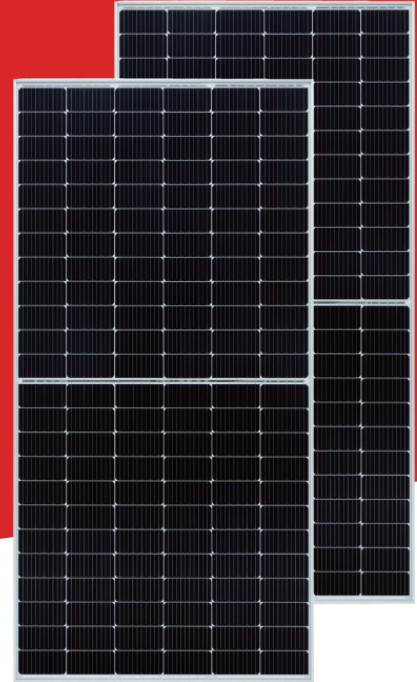


UKS-S144/M10H

182mm Half Cell Series

530-550W

144-CELL HALF CUT MONOCRYSTALLINE SOLAR MODULE



Product Advantages

10BB half-cut cell technology
New circuit design, lower internal current, lower Rs loss
Ga doped wafer, attenuation < 2% (1st year) / ≤ 0.55% (Linear)

Significantly lower the risk of hot spot
Special circuit design with much lower hot spot temperature

Lower LCOE
2% more power generation, lower LCOE

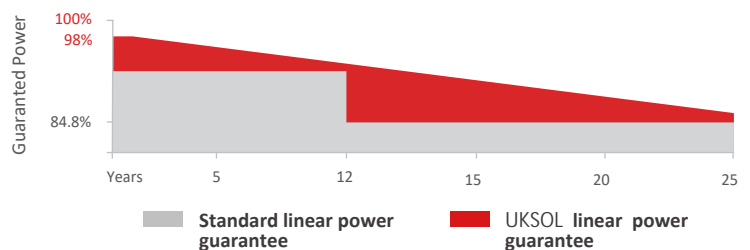
Anti PID
Excellent Anti-PID performance
2 times of industry standard Anti-PID test by TUV SUD

IP68 junction box
High waterproof level

21.3%
Module efficiency

550W
Highest power output

Performance Warranty



-2.00%
First year power degradation

-0.55%
Annual degradation

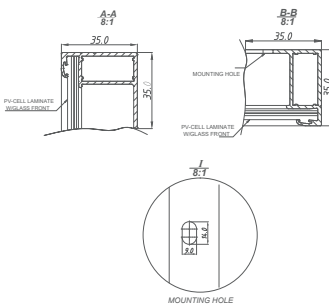
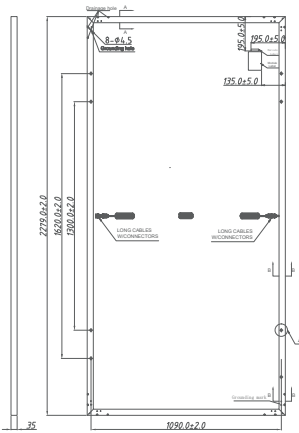
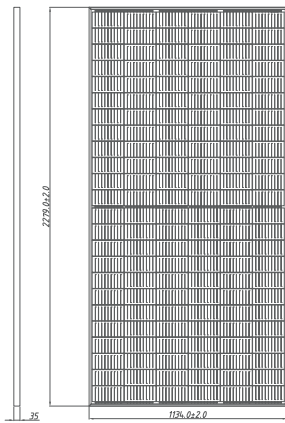
12
Years
Materials and workmanship warranty

30
Years
Linear power warranty

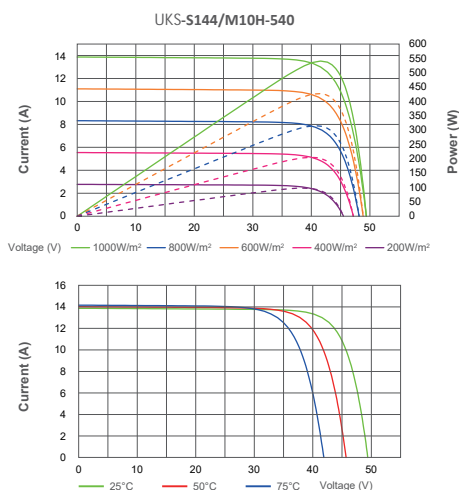


UKS-S144/M10H

TECHNICAL DRAWINGS



I-V CURVE



ELECTRICAL PARAMETERS

	530	535	540	545	550
Maximum Power (Pmax/W)*	530	535	540	545	550
Operating Voltage (Vmp/V)	40.8	41.0	41.2	41.4	41.6
Operating Current (Imp/A)	13.00	13.05	13.11	13.17	13.23
Open-Circuit Voltage (Voc/V)	49.0	49.2	49.4	49.6	49.8
Short-Circuit Current (Isc/A)	13.76	13.81	13.87	13.93	13.99
Module Efficiency ηm(%)	20.5	20.7	20.9	21.1	21.3
Power Tolerance(W)	0~+5				

STC: Irradiance 1000W/m², module temperature 25 °C, AM=1.5, *Measuring tolerance: ±3%

Performance at NMOT

	395	398	402	406	410
Maximum Power (Pmax/W)	395	398	402	406	410
Operating Voltage (Vmp/V)	38.0	38.2	38.4	38.6	38.8
Operating Current (Imp/A)	10.40	10.44	10.49	10.54	10.58
Open-Circuit Voltage (Voc/V)	45.9	46.1	46.3	46.4	46.6
Short-Circuit Current (Isc/A)	11.09	11.13	11.18	11.23	11.28

NMOT: Irradiance 800W/m², ambient temperature 20 °C, AM=1.5, wind speed 1m/s

MECHANICAL SPECIFICATION

Cell Type	Monocrystalline
Cell Dimensions	182*182mm
Cell Arrangement	144 (6*24)
Weight	29kg
Module Dimensions	2279*1134*35mm
Cable Length	Portrait 350mm/Customized
Cable Cross Section Size	TÜV: 4mm ²
Front Glass	3.2mm AR Coating Tempered Glass
No. of Bypass Diodes	3/6
Packing Configuration	31pcs/Carton, 620pcs/40HQ
Frame	Anodized Aluminium Alloy
Junction Box	IP68

OPERATING CONDITIONS

Maximum System Voltage	1000V/1500V/DC(IEC)
Operating Temperature	-40°C to +85°C
Maximum Series Fuse	25A
Static Loading	Snow Loading: 5400Pa/ Wind Loading: 2400Pa
Conductivity at Ground	≤0.1Ω
Safety Class	II
Resistance	≥100MΩ
Connector	MC4 compatible

TEMPERATURE COEFFICIENT

Temperature Coefficient Pmax	-0.34%/°C
Temperature Coefficient Voc	-0.25%/°C
Temperature Coefficient Isc	+0.040%/°C
NMOT	43±2°C

+44 (0)1753 910327 | info@uksol.uk | www.uksol.uk | WhatsApp: +44 (0)7949 489911

UKSOL and the UKSOL logo are registered trademarks of UKSOL Ltd. Registered office: 1 Chalfont Park, Gerrards Cross, Bucks, SL9 0BG, UK.

Specifications shown are subject to change without notice.