

HoyCore Outdoor Battery System



Applications: Commercial & Industrial;
Solar + Storage; Microgrid

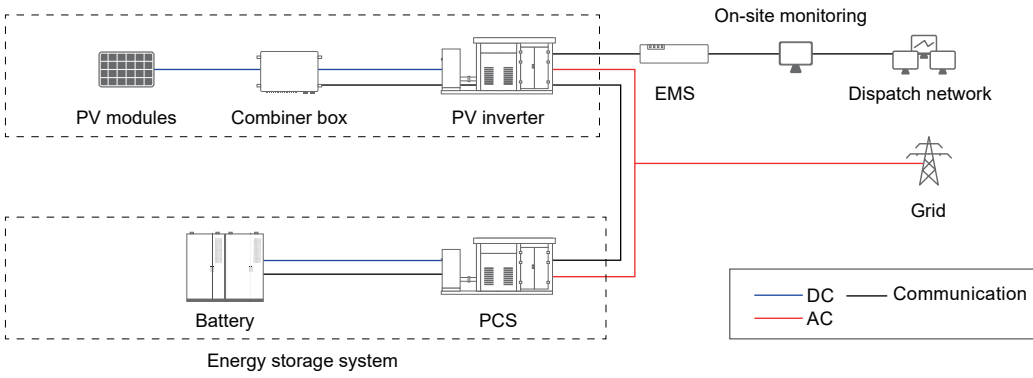
Efficient and Flexible
Utilizing intelligent liquid cooling to minimize power consumption and extend system life. Enhanced scalability with seamless stack additions

Safe and Reliable
Multi-layer insulation for enhanced safety, a three-level short-circuit protection system to minimize risks, and a comprehensive three-level fire protection system for swift suppression of thermal runaway

Intelligent and User-friendly
Leveraging big data management, we monitor cell status comprehensively, offering early warnings for potential issues. High-level protection ensures adaptability to diverse extreme environments

Easy Maintenance
Automatic rehydration eliminates manual intervention. Fault reporting and SOC calibration to reduce the need for frequent inspections and operational shutdowns

System Diagram



DC Side		
Battery Type		LFP
Configuration		1P192S
Rated Capacity (Ah)		280
Battery Capacity (BOL) at DC side (KWh)		344
Nominal DC Voltage (V)		1228.8
Nominal AC Power (KW)		175
Rated Charge/Discharge Rate		0.5C
Operating Voltage Range (V)		1075.2~1382.4
Standard Charge/Discharge Current (A)		140/140
Cooling Mode		Liquid cooling
Coolant		Ethylene glycol: aqueous solution (50% v: 50% v)
Fire Extinguisher		Aerosol/NOVEC1230 (optional)
Fire Safety Equipment		Smoke,heat & flammable gas detectors
Battery System		
Operating Temperature Range (°C)		-20 ~ 50 (>45°C derating)
Storage Temperature (long term) (°C)		-30°C ~ 60°C
Noise		< 80dB
Dimensions (W*D*H)(mm)		1250x1300x2320
Weight (kg)		3450
Anti-corrosion		C4
IP Rating		Battery compartment : IP55
Relative Humidity		0-95% (no condensation)
Standard Altitude (m)		≤ 2000 (> 2000 derating)
Communication Interface		RS485, Ethernet
Communication Protocol		ModbusTCP/RTU
Compliance	BMS	GB/T34131-2017; UL60730
	Battery	GB/T36276-2018; IEC62619; UL1973; UL9540A