

# HFM 5000 Pro SERIES

High Frequency Pure Sine Wave Hybrid Inverter



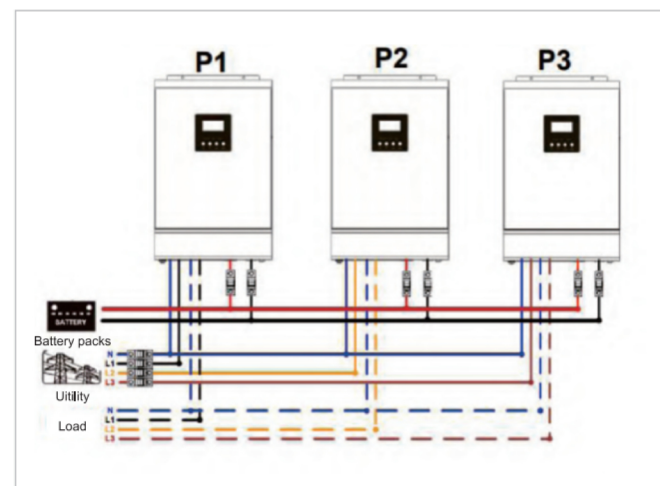
## Product Description

This is a multi-function inverter/charger, combining function of inverter, solar charger and AC charger to offer uninterrupted power support with portable size. Its comprehensive LCD display offers userconfigurable and easy-accessible button operation such as battery charging current, AC/solar charger priority, and acceptable input voltage based on different applications.

## Main Features

- High efficiency pure sine wave inverter, Wide PV input range, large current intelligent 3-stage AC charging.
- Surges to 2X continuous power for 5 seconds for motor loads.
- Intelligent functionality enables utility and solar input prioritization.
- Wide utility input range .
- Field serviceable with replacement boards and spare parts.
- Monitor, troubleshoot, or communication with USB/RS 232.
- System configures quickly into compact, wall-mounted system.
- Parallel operation with up to 9 units.

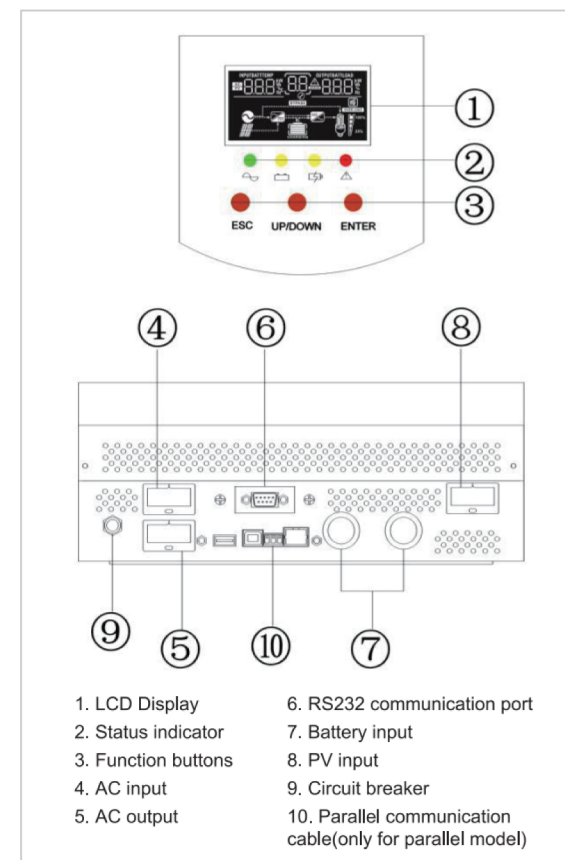
## Parallel Connection



## Packaging contents



## Product Overview



# HFM 5000 Pro SERIES

High Frequency Pure Sine Wave Hybrid Inverter



## Technical Specifications

MODEL	HFM 5000pro
Rated Power	5000VA/5000W
Parallel Capability	9 units
INPUT	
Voltage	230VAC
Selectable Voltage Range	170-280 VAC (For Personal Computers) ; 90-280 VAC (For Home Appliances)
Frequency	50 Hz/60 Hz (Auto sensing)
OUTPUT	
AC Voltage Regulation (Batt. Mode)	230VAC±5%
Peak Power	10000VA
Efficiency (Peak)	93%
Transfer Time	10 ms (For Personal Computers) ; 20 ms (For Home Appliances)
Waveform	Pure sine wave
BATTERY	
Battery Voltage	48VDC
Floating Charge Voltage	54VDC
Overcharge Protection	60VDC
SOLAR CHARGER & AC CHARGER	
Maximum PV Array Open Circuit Voltage	500VDC
MPPT Range @ Operating Voltage	120-430VDC
Maximum PV Array Power	6000W
Maximum Solar Charge Current	80A
Maximum AC Charge Current	60A
Maximum Charge Current	100A
PHYSICAL	
Dimension, , D * W* H(mm)	125*300*470
Net weight (kg)	7.6
Optional function	BMS / WIFI / 4G
ENVIRONMENT	
Humidity	5% to 95% Relative Humidity (Non-condensing)
Operating Temperature	0°C-50°C
Storage Temperature	-15°C-60°C

Note: can be customized according to customer requirements