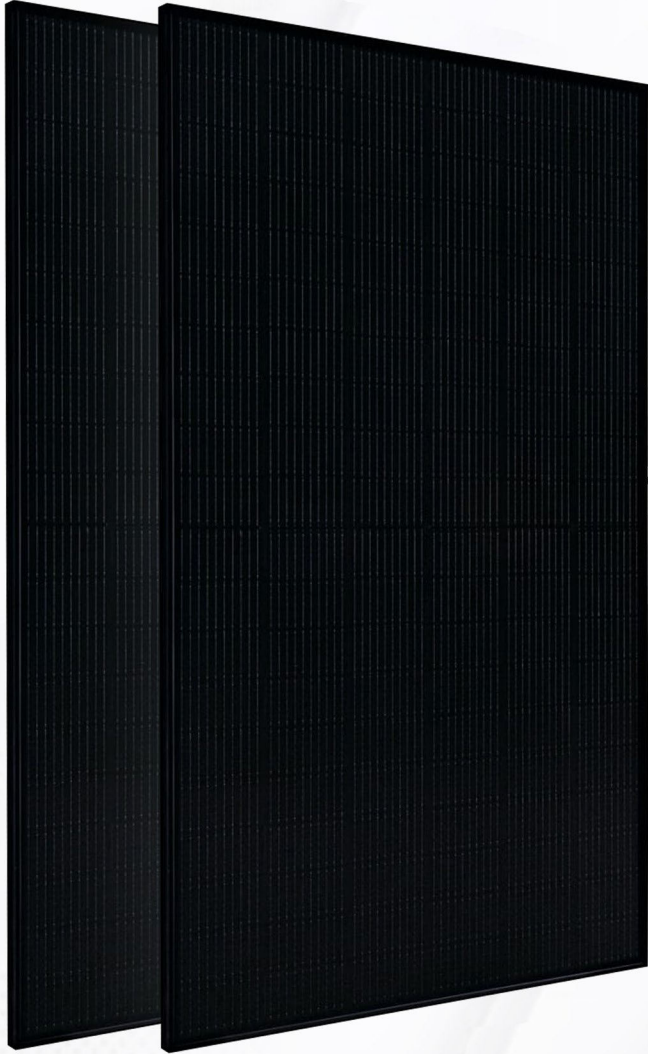


N-TYPE SERIES

MGS60M10



460-480W



Superior aesthetics, all-black design



Robust product design for harsh weather conditions



Improved performance in shaded areas



Designed & engineered in the U.S., Made in Dubai

Certifications:



Intertek



Headquarter address

📍 Magnus Green Solar LLC, 360 E 2nd St, STE 820
Los Angeles, CA 90012 USA

☎ +1-888-259-4196

✉ info@magnusgreensolar.com

Factory address

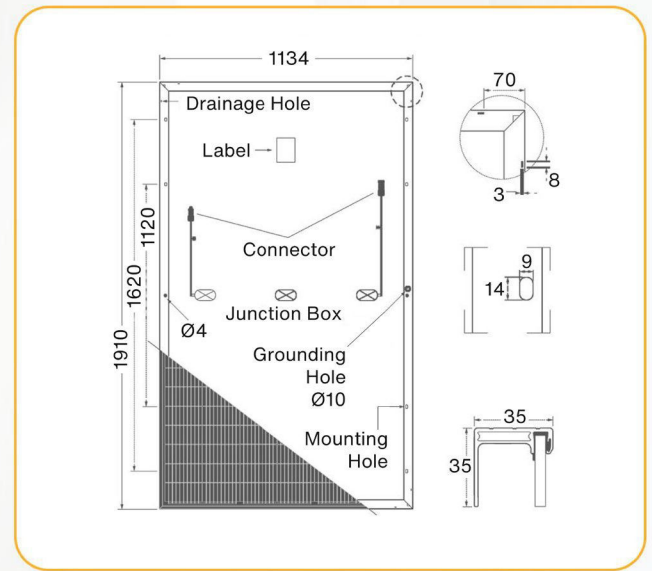
📍 National Industries Park, Plot TP010505,
Jebel Ali(South), Dubai, United Arab Emirates

☎ +971 50 786 3131

✉ info@magnusgreensolar.com

MECHANICAL SPECIFICATIONS

| | |
|----------------|--|
| Cells Type | N type Mono-crystalline 182x91mm |
| Weight | 24kg |
| Dimension | 1910x1134x35mm(LxWxT) |
| Cables | 4.0mm ² , Portrait: 300mm(+)/400mm(-) Landscape: 1400mm(+)/1400mm(-) |
| No. of Cells | 120 (6x20) |
| Glass | 3.2mm High Transmission, Antireflection Coating |
| Junction box | IP68, 3 Bypass Diodes |
| Packing | 31pcs/pallet, 744pcs/40HQ |
| Connector Type | QC Solar (Suzhou) Corporation(QC4.10-35) OR Staubli Electrical Connector AG (PV-KST4-EV02/xy_UR) |



ELECTRICAL SPECIFICATIONS

| Module Type | MGS-460W-M60HN-M10 | | MGS-465W-M60HN-M10 | | MGS-470W-M60HN-M10 | | MGS-475W-M60HN-M10 | | MGS-480W-M60HN-M10 | |
|-----------------------------------|--------------------|-------|--------------------|-------|--------------------|-------|--------------------|-------|--------------------|-------|
| | STC | NOCT | STC | NOCT | STC | NOCT | STC | NOCT | STC | NOCT |
| Testing Condition | | | | | | | | | | |
| Open-circuit Voltage (Voc/V) | 42.05 | 39.94 | 42.22 | 40.10 | 42.38 | 40.25 | 42.54 | 40.41 | 42.71 | 40.57 |
| Maximum Power Voltage (Vmp/V) | 34.72 | 32.60 | 34.89 | 32.77 | 35.05 | 32.94 | 35.21 | 33.10 | 35.38 | 33.27 |
| Short-circuit Current (Isc/A) | 13.99 | 11.29 | 14.07 | 11.36 | 14.15 | 11.42 | 14.23 | 11.49 | 14.31 | 11.55 |
| Maximum Power Current (Imp/A) | 13.25 | 10.61 | 13.33 | 10.67 | 13.41 | 10.73 | 13.49 | 10.79 | 13.57 | 10.85 |
| Maximum Power (Pmax/Wp) | 460 | 346 | 465 | 350 | 470 | 353 | 475 | 357 | 480 | 361 |
| Module Efficiency STC (%) | 21.24% | | 21.47% | | 21.70% | | 21.93% | | 22.17% | |
| Power Tolerance(W) | ±3% | | | | | | | | | |
| Tolerance of rating Pmax/Isc/Voc% | ±3%/±4%/±3% | | | | | | | | | |

NOCT: Irradiance 800w/m², Cell Temperature 20°C, Spectrum AM1.5, Wind Speed 1m/s STC: Irradiance 1000w/m², Cell Temperature 25°C, Spectrum AM1.5

MAXIMUM RATINGS

| | |
|------------------------|----------------|
| Maximum System Voltage | 1500V DC |
| Operating Temperature | -40°C to +85°C |
| Maximum Series Fuse | 25A |
| Mechanical Load | 5400pa |

TEMPERATURE CHARACTERISTICS

| | |
|--------------------------------|-----------|
| NOCT Temperature | 43°C±2°C |
| Temperature Coefficient (Pmax) | -0.36%/°C |
| Temperature Coefficient (Voc) | -0.26%/°C |
| Temperature Coefficient (Isc) | 0.043%/°C |

PERFORMANCE WARRANTY

| | |
|---|-----------|
| Max Power Degradation | 0.5%/Year |
| 97.5% At The End of 1 st Year | |
| 92.5% At The End of 10 th Year | |
| 83.5% At The End of 25 th Year | |

CURVE & TEMPERATURE DEPENDENCE

