

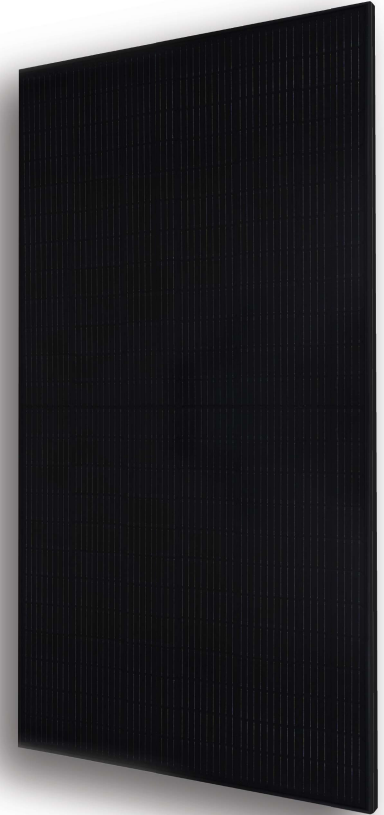


400W | 405W | 410W

DNA-108-BF10-400W

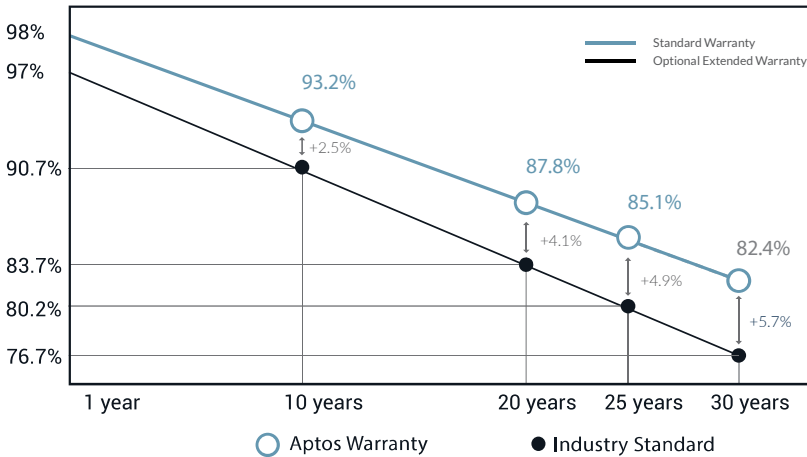
Residential | Commercial

Our DNA Split Cell Series uses advanced selective emitter PERC technology with thin film layers to improve heat tolerance, maximize energy harvest, minimize resistive loss, and use 5% more of the available active area for optimal power performance.



Designed & Engineered In Silicon Valley

Linear Performance Warranty



Key Features



Advanced Technology

Patented DNA™ technology boosts power performance & module efficiency.



Aesthetics

All black design with advanced split cell technology features 10 ultra-thin busbars that allow for less resistance and greater energy harvest.



Miami-Dade Approved

Miami-Dade County wind load certified to withstand up to 5400 Pa.



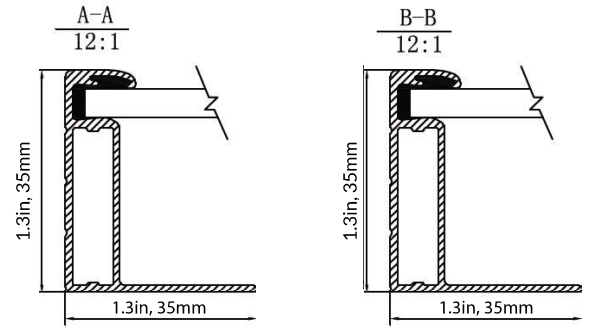
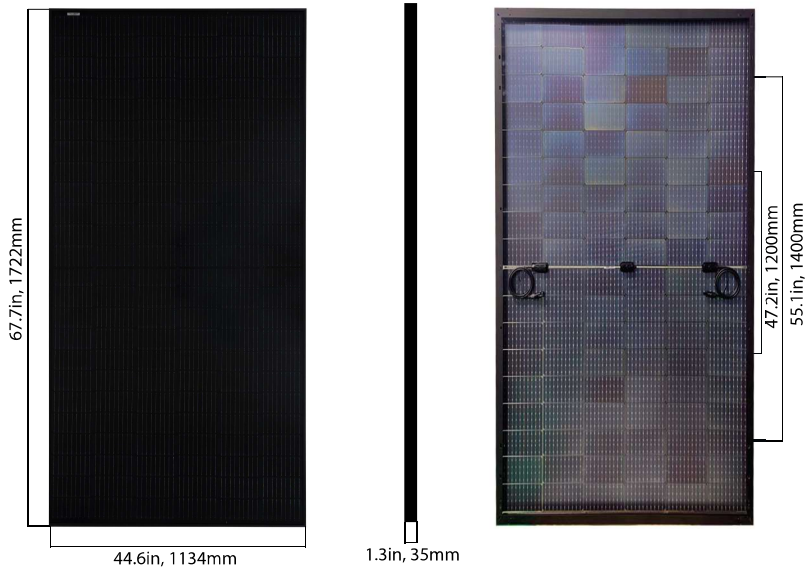
Awards

Winners of the Leadership in Solar Energy award for three consecutive years and listed as one of the Top Solar Products from 2021-2022.



Bankable Investment

Comprehensive warranty that covers both 30-year product and 30-year power performance.



Electrical Specifications

	DNA-108-BF10-400W	DNA-108-BF10-405W	DNA-108-BF10-410W
STC Rated Output P_{mpp} (W)	400W	405W	410W
Module Efficiency	20.48%	20.74%	20.96%
Open Circuit Voltage V_{VOC} (V)	37.18	37.42	37.67
Short Circuit Current I_{SC} (A)	12.99	13.05	13.11
Rated Voltage V_{mp} (V)	31.28	31.52	31.76
Rated Voltage I_{mp} (A)	12.79	12.85	12.91

Standard Test Conditions for front-face of panel: 1000 W/m², 25°C, measurement uncertainty $\leq 3\%$

Mechanical Properties

Cell Type	SE-PERC
Glass	3.2mm, anti-reflection coating, high transmission, low iron, tempered glass
Frame	Anodized Aluminum Alloy
Junction Box	IP68
Dimensions	67.7 X 44.6 X 1.3 in, 1722 X 1134 X 35 mm
Weight	48.5 lbs
Output Cable	4mm ² (EU)12AWG,39,37in
Cable Length	47.2in, 1200mm
Connector Type	Staubli EVO2

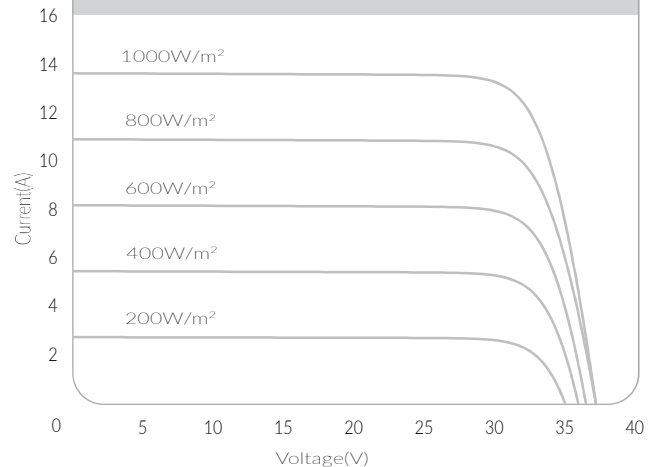
Bifacial Output-Rearside Power Gain

5%-Maximum Power (Pmax)	420W	425W	431W
5%-Module Efficiency STC(%)	21.51%	21.78%	22.05%
15%-Maximum Power (Pmax)	460W	467W	472W
15%-Module Efficiency STC(%)	23.56%	23.85%	24.15%
25%-Maximum Power (Pmax)	500W	506W	513W
25%-Module Efficiency STC(%)	25.60%	25.93%	26.25%

Test Operating Conditions

Maximum Series Fuse	30A
Maximum System Voltage	1,500 VDC (UL&IEC)
Maximum Load Capacity (Per UL 1703)	5400 PA Snow Load / 5400 Pa Wind Load
Fire Performance Class	Class C/Type 1

I-V Curve



Temperature Coefficients

Temperature Coefficients P_{mp}	-0.32%/°C
Temperature Coefficients I_{sc}	+0.03%/°C
Temperature Coefficients V_{oc}	-0.24%/°C
Normal Operating Cell Temperature (NOCT)	45°C±2°C

Packaging Configuration

Modules per Pallet	31
Pallets per 40ft. Container	26
Pallet Dimensions	68.97 X 44.48 X 49.76 in
Pallet Weight (lbs)	1503.5
Modules per 40ft. Container	806

Certifications

