



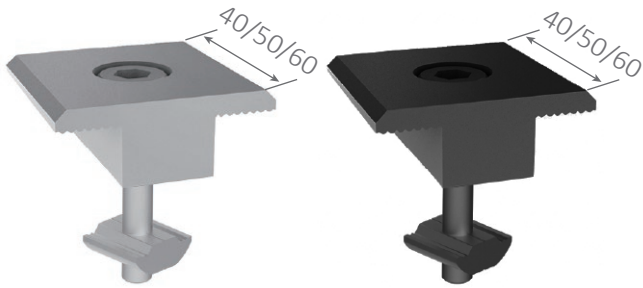
PRODUCT CATALOG



ROOF SOLAR MOUNTING

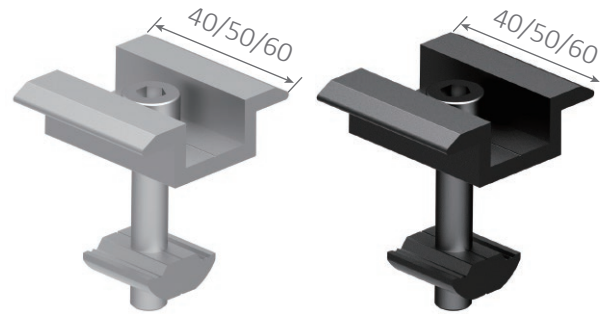
FUJIAN SUPER SOLAR ENERGY TECHNOLOGY CO., LTD.

Alu Nut Series



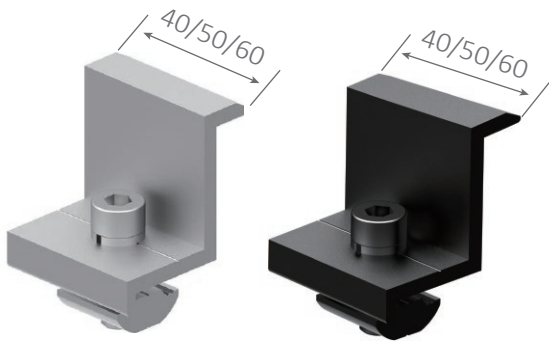
Solid mid clamp

AL6005-T5
SUS304



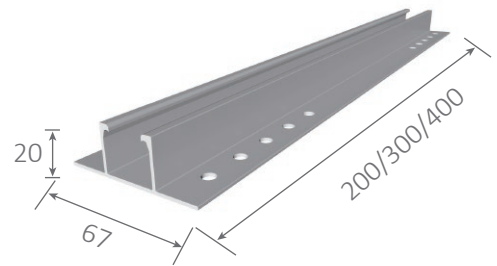
Mid clamp

AL6005-T5
SUS304



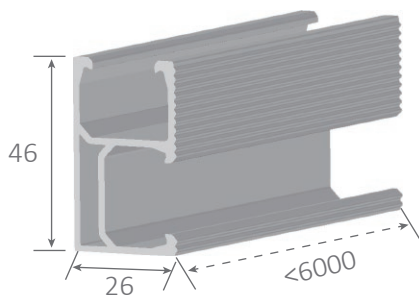
End clamp

AL6005-T5
SUS304



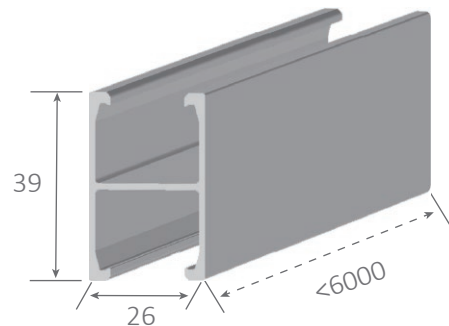
Minirail #2

AL6005-T5



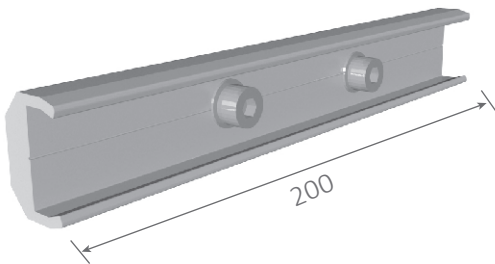
Rail #1

AL6005-T5



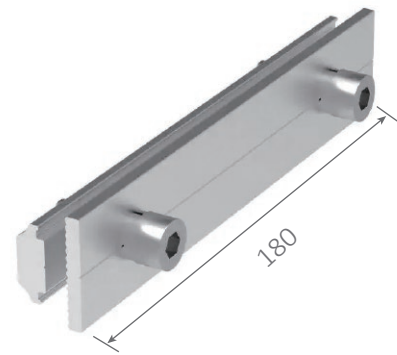
Rail #2

AL6005-T5



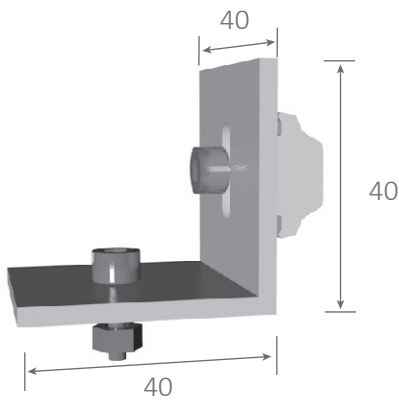
Rail splice

AL6005-T5
SUS304



Rail splice

AL6005-T5
SUS304



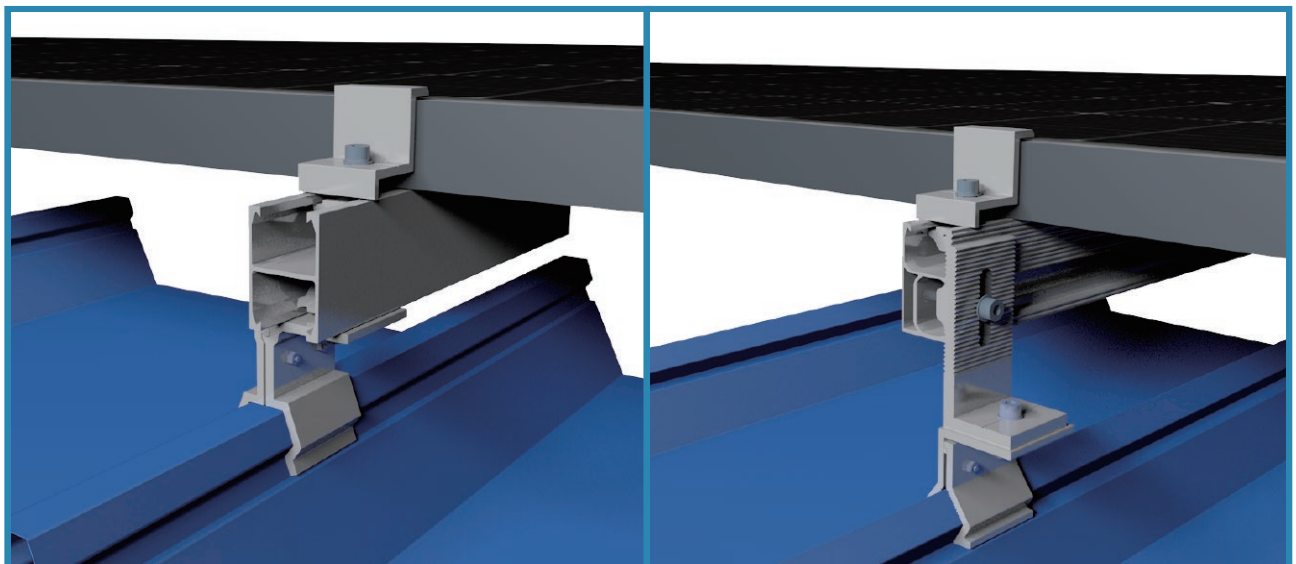
Alu nut L kit

AL6005-T5, SUS304
M8*25

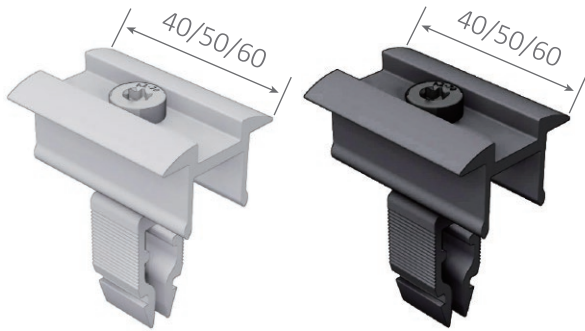


Alu nut bolt set

AL6005-T5, SUS304
M8*25

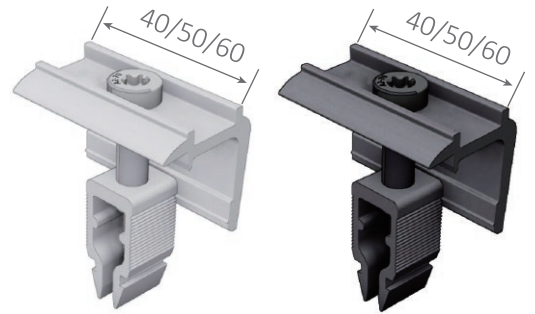


Quickfix Series



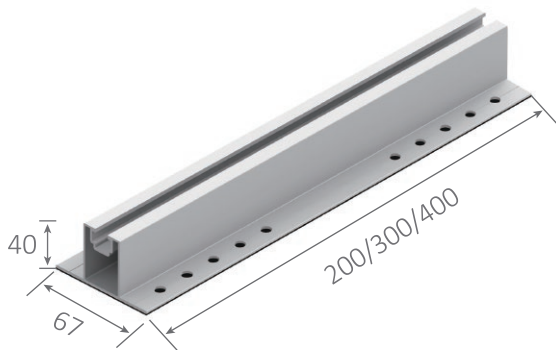
Quickfix
mid clamp

AL6005-T5
SUS304



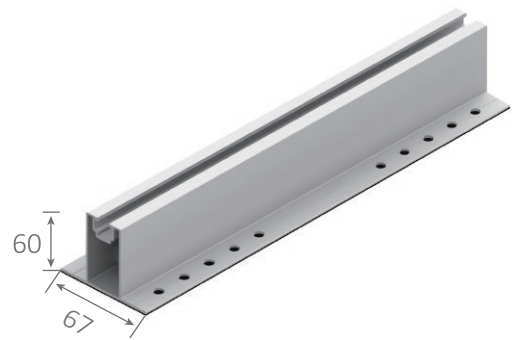
Quickfix
end clamp

AL6005-T5
SUS304



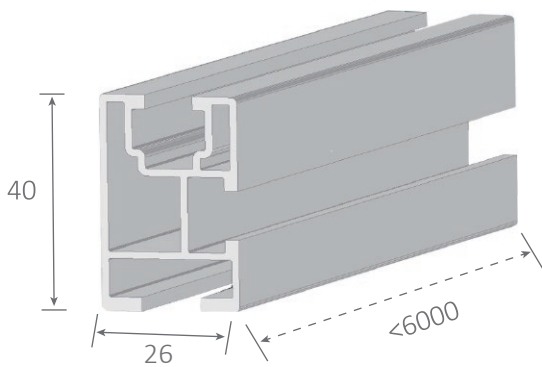
Quickfix
minirail #1

AL6005-T5



Quickfix
minirail #2

AL6005-T5



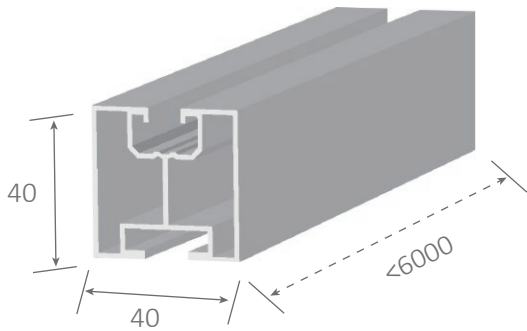
Quickfix
rail #1

AL6005-T5



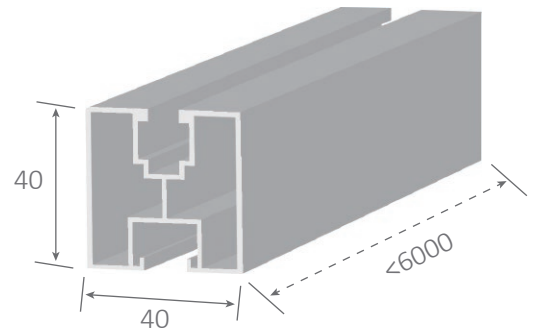
Quickfix
rail splice #1

AL6005-T5, SUS304



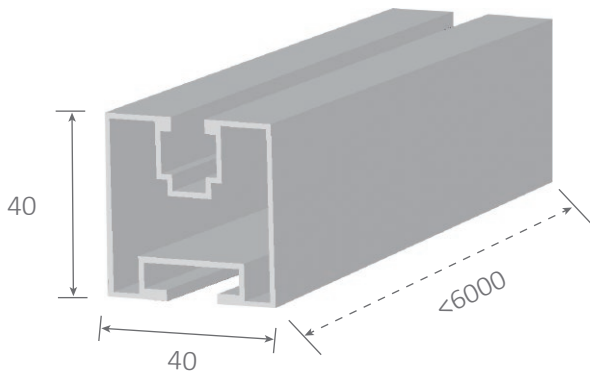
Quickfix rail #2

AL6005-T5



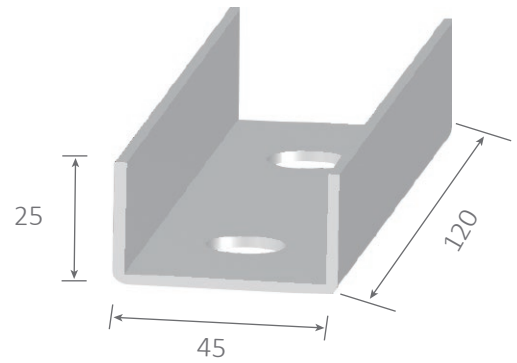
Quickfix rail #3

AL6005-T5



Quickfix rail #4

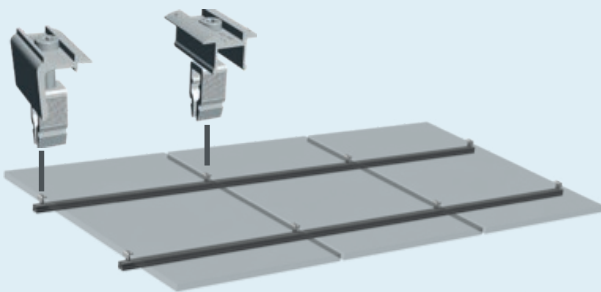
AL6005-T5



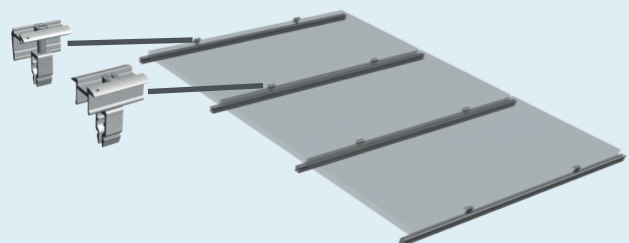
Quickfix rail splice #2

AL6005-T5

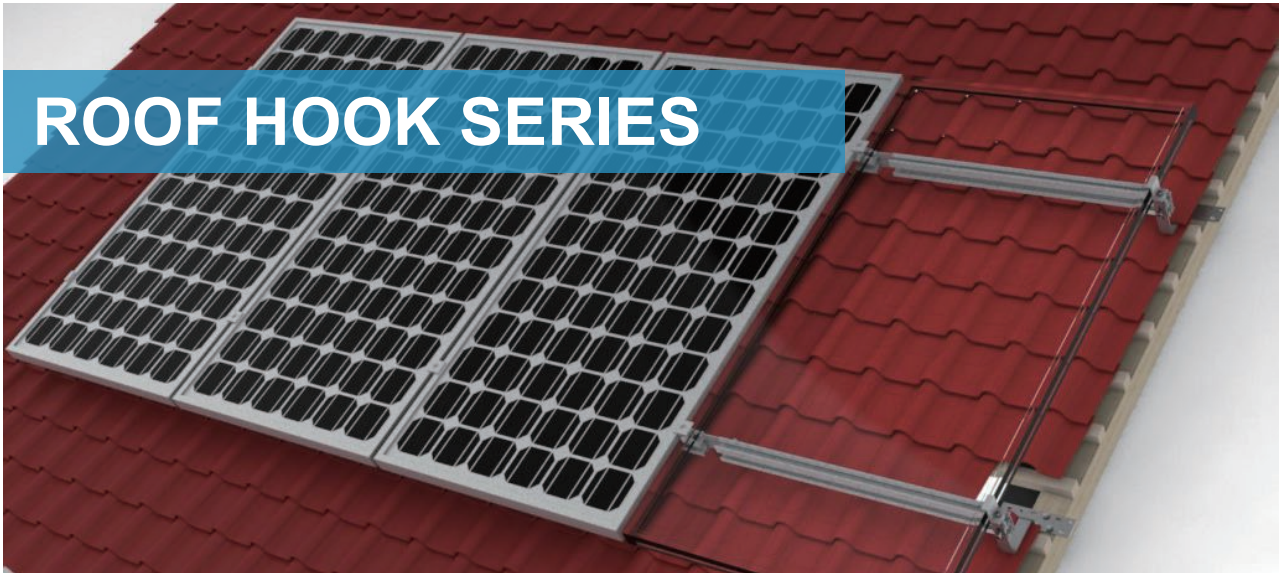
VERTICAL:



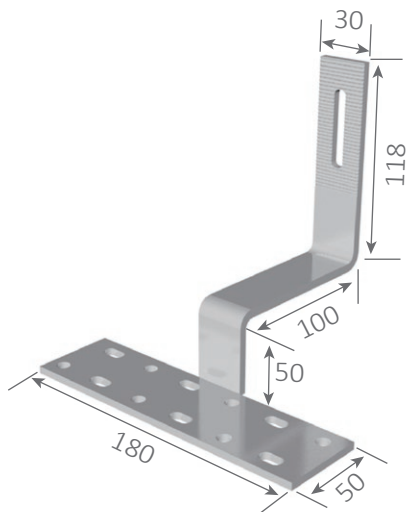
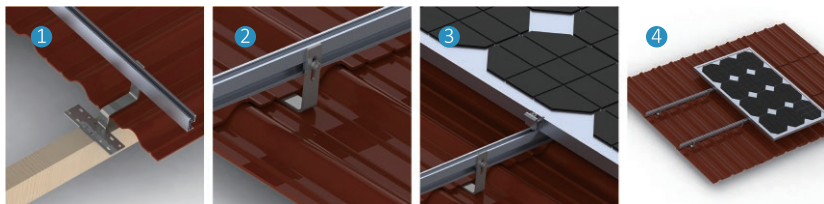
HORIZONTAL:



ROOF HOOK SERIES

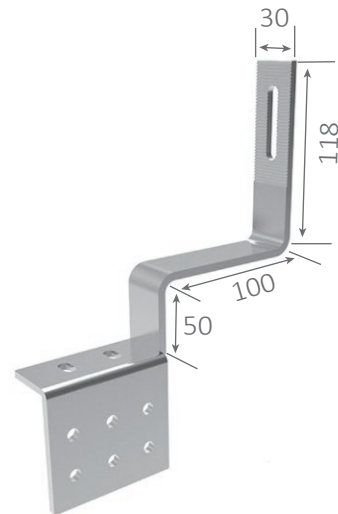


- For all kinds of roofs and tiles, glazed tile, ceramic tile, roman tile, scale tile.
- Module design, easy installation
- Stable structure, mounted securely
- Aluminium alloy and stainless steel, long service life



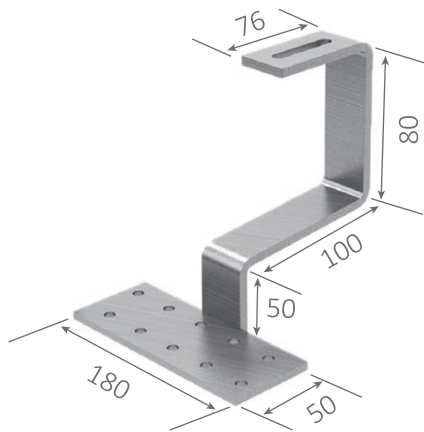
SS-TRH-001

SUS304

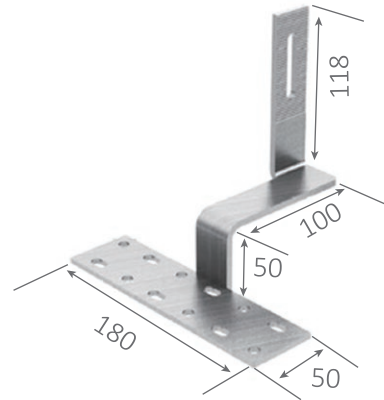


SS-TRH-002

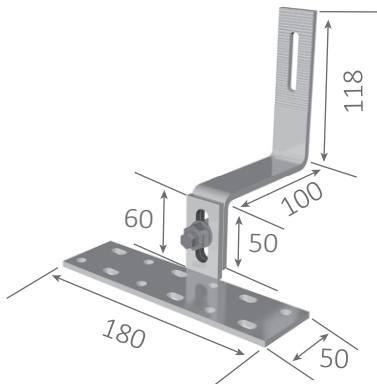
SUS304
Vertical purlin



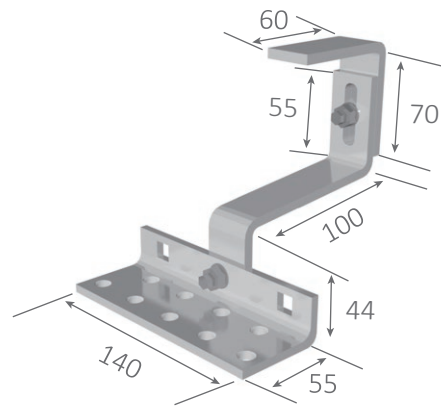
SS-TRH-004 SUS304



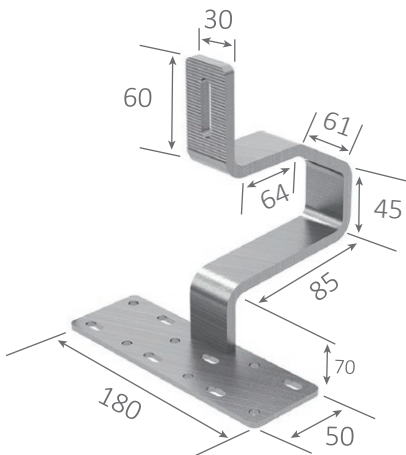
SS-TRH-005 SUS304
Vertical purlin



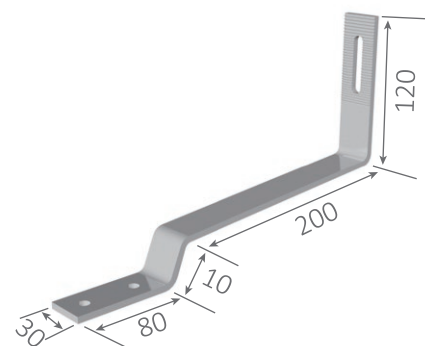
SS-TRH-006 SUS304
Vertical purlin
Adjustable



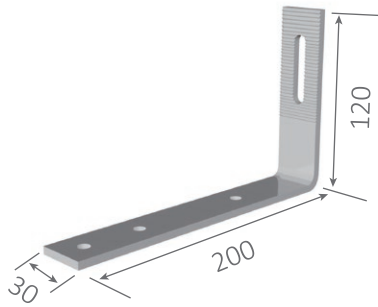
SS-TRH-008 SUS304
Vertical purlin
Adjustable



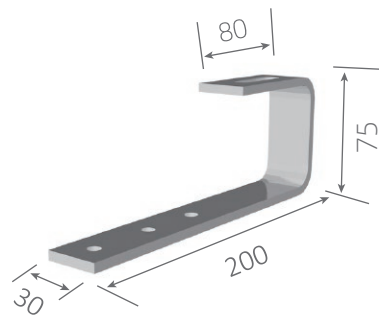
SS-TRH-014 SUS304



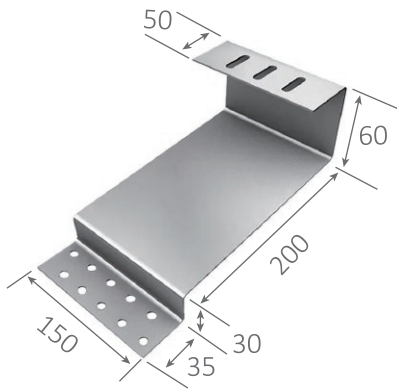
SS-TRH-009 SUS304
Vertical purlin
For slate roof



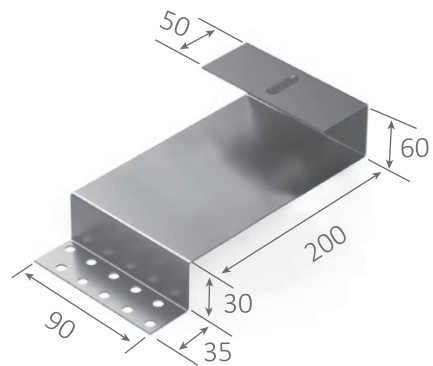
SS-TRH-011 SUS304
Vertical purlin
For asphalt shingle roof



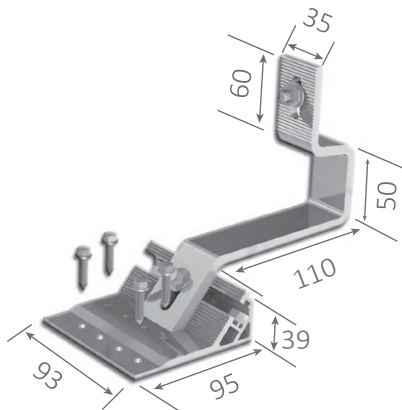
SS-TRH-012 SUS304
Vertical purlin
Adjustable



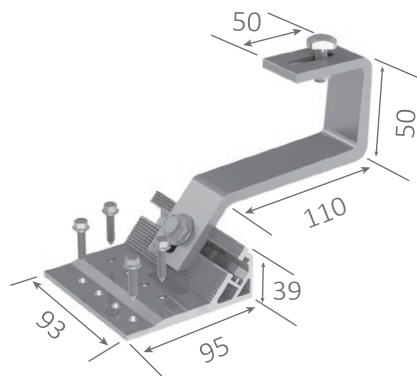
SS-TRH-C01 SUS304



SS-TRH-C03 SUS304

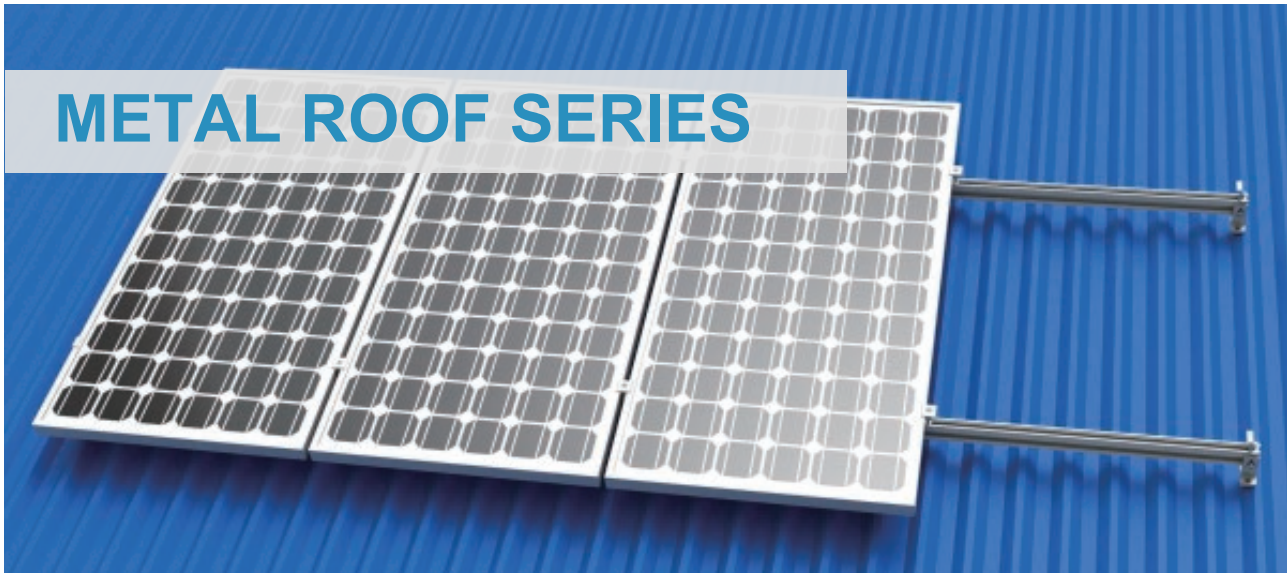


SS-TRH-A16 AL6005-T5

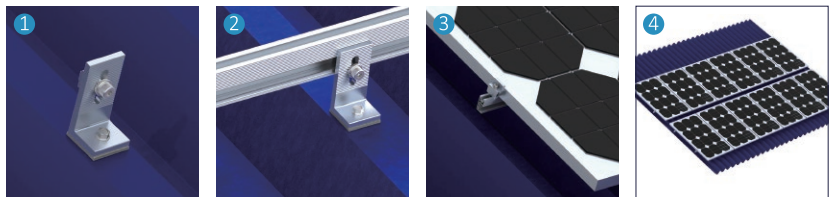


SS-TRH-A18 AL6005-T5

METAL ROOF SERIES

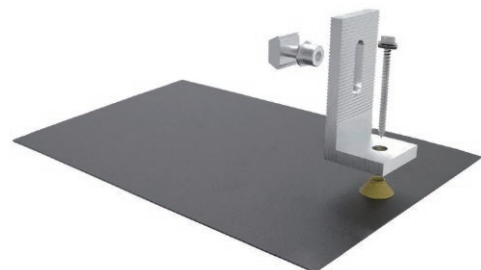


- Considerate design, good compatibility
- Module design, easy installation
- Aluminium alloy and stainless steel, long service life
- Various kit designs, fit with all kinds of roofs



L foot
with tapping screw

AL6005-T5
ST6.3*65



L foot shingle pad

AL6005-T5
ST6.3*65



L foot
with hanger bolt

SUS304, EPDM
M10*200



Plate
with hanger bolt

SUS304, EPDM
M10*200



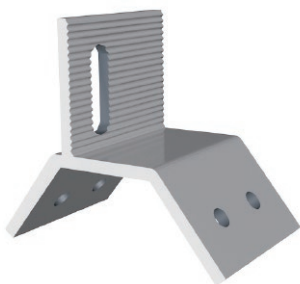
Trapezoid clamp

SUS304, EPDM
Adjustable



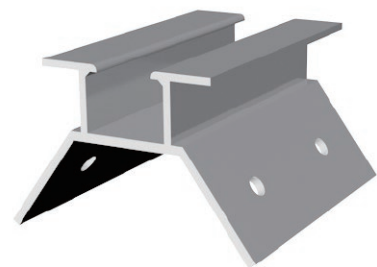
Trapezoid clamp

SUS304, EPDM
Adjustable



Trapezoid clamp

AL6005-T5, SUS304
Custom-made



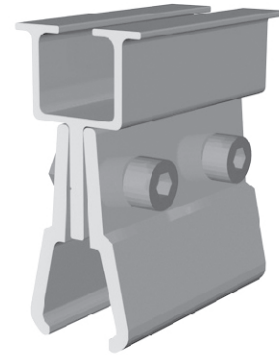
Trapezoid railless

AL6005-T5, SUS304
Custom-made



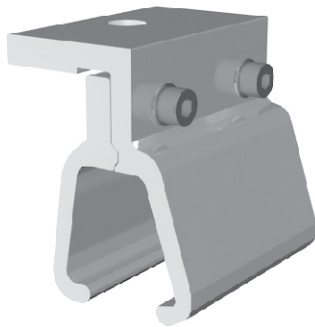
Standing seam clamp

SUS304



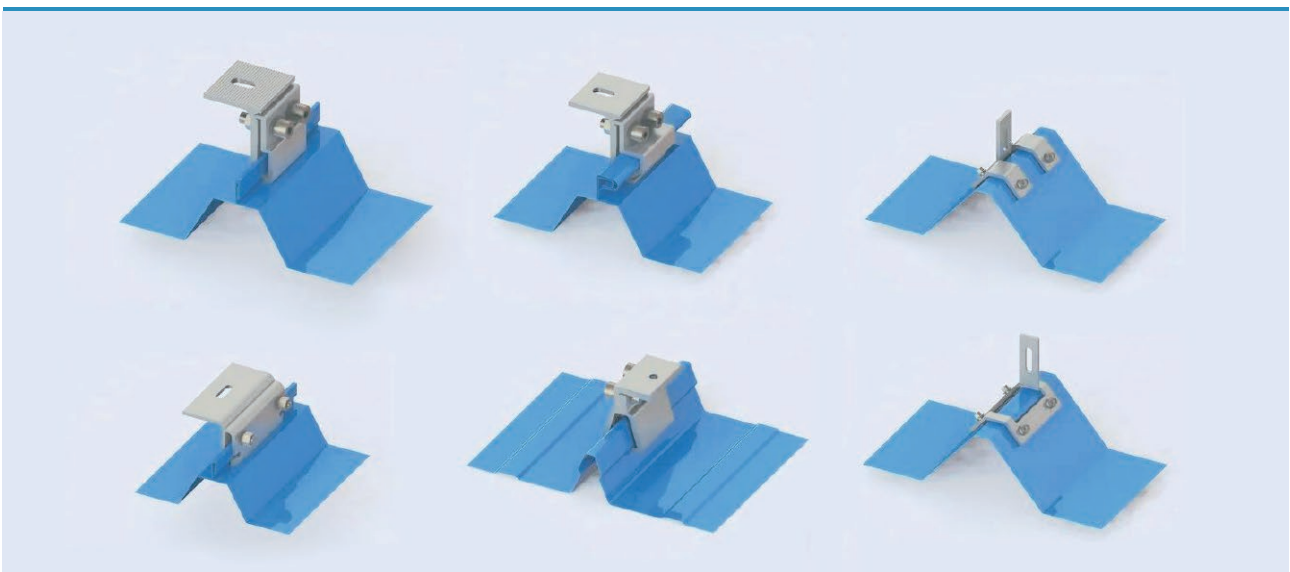
Kliplok railless

AL6005-T5
SUS304

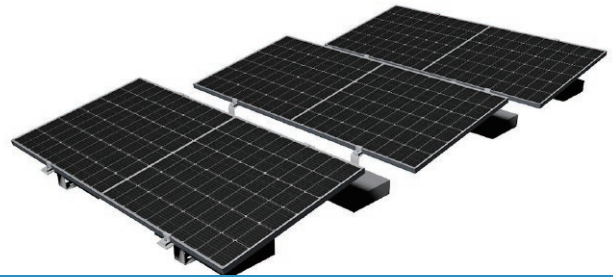
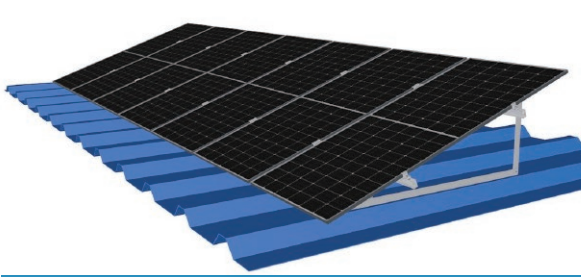


Kliplok clamp

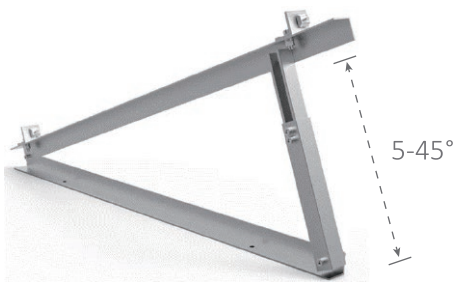
AL6005-T5
SUS304



FLAT ROOF SERIES

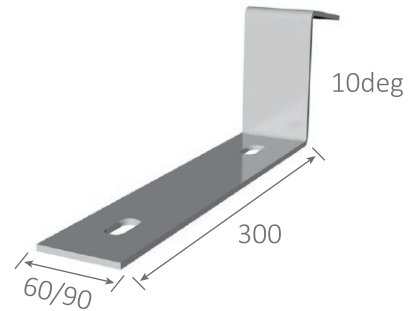


- Highly pre-assembled in factory, save cost and time on site
- Well used on ground, flat roof and pitched roof
- Aluminium alloy and stainless steel, long service life
- Strictly tested structure for different using scenarios



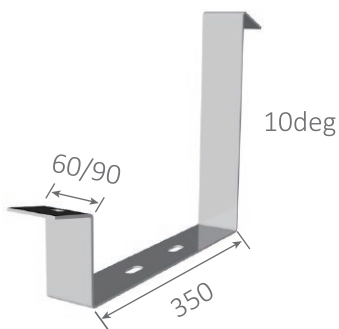
Triangle bracket

AL6005-T5, SUS304



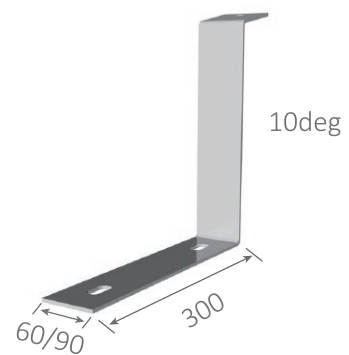
Front ballasted kit

HDG Q235



Mid ballasted kit

HDG Q235



Rear ballasted kit

HDG Q235

BALCONY SERIES



- Basic but strong structure
- Plug and play solar system for daily use
- Suitable for commonly-sized panels
- Highly pre-assembled and quick installation



Wall
Flat area

Triangle bracket

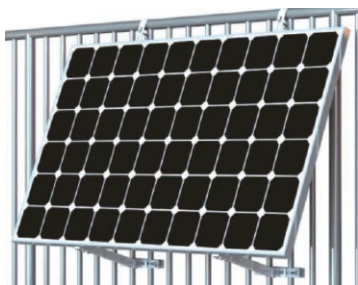
Length of panel	1400-2400mm
Width of panel	700-1300mm
Adjustable tilt	36deg or DIY



Balcony railing
Wall
Flat area

Railing adjustable triangle bracket

Length of panel	1400-2400mm
Width of panel	700-1300mm
Adjustable tilt	18-36deg



Balcony railing
Balcony with wall

Railing adjustable pillar bracket

Length of panel	1400-2400mm
Width of panel	700-1300mm
Adjustable tilt	15-30deg



Balcony
Flat area

Railing adjustable triangle bracket

Length of panel	1400-2400mm
Width of panel	700-1300mm
Adjustable tilt	30-43deg

Components



Grounding wire lug

AL6005-T5
SUS304



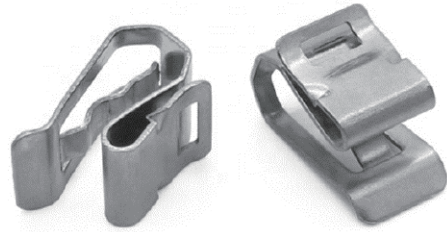
Grounding clip

SUS304
#1



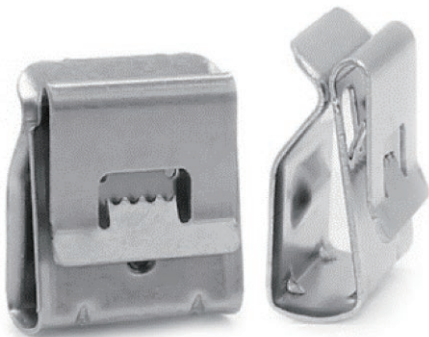
Grounding clip

SUS304
#3



Cable clip

SUS304
#2



Cable clip

SUS304
#4



Self-tapping screw

SUS304, SUS410
ST6.3*25/27



Self-tapping screw SUS304, SUS410
ST6.3*65/80



Wood screw SUS304, SUS410
M8*60/80/100



Sleeve anchor bolt SUS304, HDG Q235
M8/M10/M12/M14



Hanger bolt SUS304, EPDM
M10*200/250/300



T bolt SUS304
M8



T bolt SUS304
M10



Allen bolt

SUS304
M8/M10
DIN912



Hex bolt

SUS304
M8/M10/M12
DIN933



Flange bolt

SUS304
M8/M10/M12
DIN6921



Square neck bolt

SUS304
M8/M10/M12
DIN603



Torx bolt

SUS304
M8/M10
Anti-Theft



Reinforcing bolt

SUS304
M8*38/40

*All bolts and nuts can be full black treated.



Hex nut

SUS304
M8/M10/M12
DIN934



Flange nut

SUS304
M8/M10/M12
DIN6923



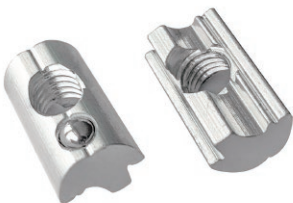
Square nut

SUS304
M8/M10/M12
DIN557



Nylock nut

SUS304
M8/M10/M12
DIN985



Ball nut

SUS304, AL6061
M8*22



Diamond nut

SUS304
M8

Project Case



China, 11MW roof solar plant of our factory



Thailand, 3kW corrugated roof mounting



Thailand, 5kW tile roof mounting



Finland, 6kW metal tile roof mounting



Chile, 16kW metal roof mounting



Germany, 60kW metal tile roof mounting



China, 120kW curve metal roof mounting



Australia, 200kW metal roof mounting



China, 800kW factory metal roof mounting



South Korea, 2.5MW factory metal roof mounting



Guatemala, 2.8MW factory metal roof mounting

A professionally-trained solar PV service provider

A keen focus on customer satisfaction

Always high-quality and reliable service

Skilled | Specialized | Satisfactory



TEL: 0086-592-6683155

FAX: 0086-592-6683156

WEB: www.chinasupersolar.com

EMAIL: director@chinasupersolar.com

OFFICE ADDRESS: Xiamen City, Fujian Province, China

FACTORY ADDRESS: Nanan City, Fujian Province, China

