

POLY-CRYSTALLINE MODULE

CE-330/335/340/345/350P72



Features

- High conversion efficiency through advanced manufacturing technology
- 12 years product warranty, 25 years linear performance warranty
- 3%- 5% positive tolerance ensures more power generated
- Withstand snow loads up to 5400Pa and wind loads up to 2400Pa under extreme temperature
- Anti-PID modules effectively reduce the loss in solar panel power output
- Anti salt mist corrosion & anti-ammonia corrosion test

Certificates

- Manufactured according to International Management System Standard
Quality Management system: ISO9001
Environmental Management System: ISO14001
- Certified and approved by CE, TUV, IEC 61215, IEC 61730

POLY-CRYSTALLINE MODULE

CE-330/335/340/345/350P72



Electrical Characteristics under STC*

Module Type	CE-330P72	CE-335P72	CE-340P72	CE-345P72	CE-350P72
Maximum Power-Pmax (Wp)	330	335	340	345	350
Voltage at Maximum Power-Vmp (V)	37.8	38.0	38.2	38.4	38.6
Current at Maximum Power-Imp (A)	8.74	8.82	8.90	8.98	9.07
Open Circuit Voltage-Voc (V)	46.9	47.2	47.5	47.8	48.1
Short Circuit Current-Isc (A)	9.14	9.18	9.22	9.29	9.33
Module Efficiency-ηm (%)	17.01	17.26	17.52	17.78	18.04
Power Tolerance (%)	0/+3	0/+3	0/+3	0/+3	0/+3

Mechanical Characteristics

Cell Type	Poly-crystalline
Number of Cells	72 (6×12)
Dimension	1956×992×30 mm
Weight	22.5 kg
Front Glass	Low Iron Tempered Glass
Encapsulant	EVA
Frame	Anodized Aluminum Alloy

Temperature Characteristics

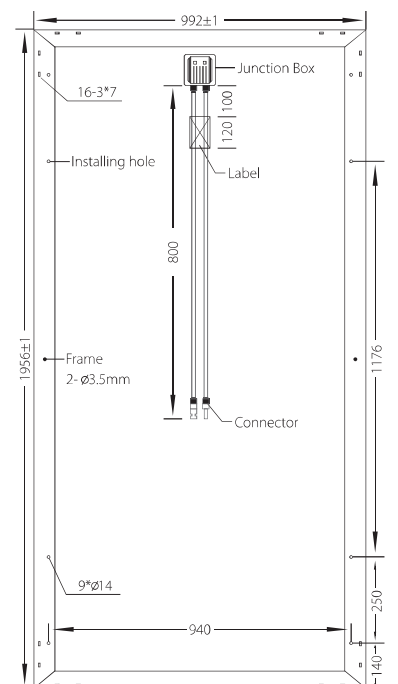
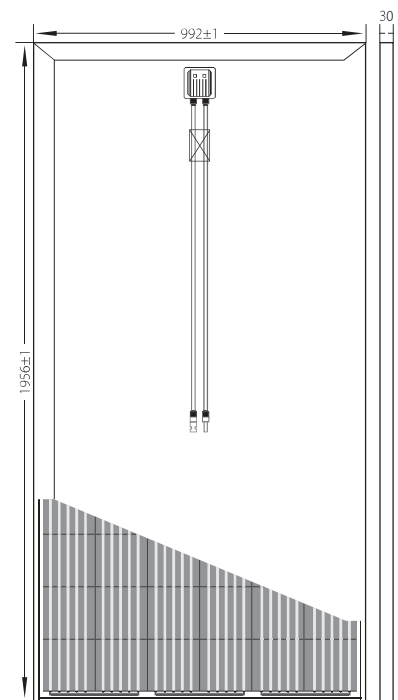
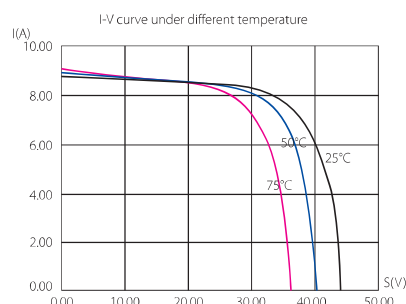
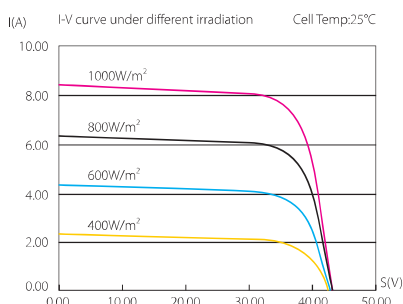
NOCT*	45±2°C
Temperature Coefficient of Pmax (%)	-0.40/°C
Temperature Coefficient of Voc (%)	-0.31/°C
Temperature Coefficient of Isc (%)	0.04/°C

Maximum System Ratings

Operating Temperature	-40°C to +80°C
Maximum System Voltage	1000/1500 V DC
Maximum Series Fuse Rating	20A

Warranty

- 12 years product warranty
- 12 years warranty on 90% power output
- 25 years warranty on 80% power output



*STC (Standard Testing Conditions): Irradiance 1000 W/m², cell temperature 25 °C, AM=1.5
ambient temperature 20 °C, wind speed 1 m/s

*NOCT (Nominal Operating Cell Temperature): Irradiance 800 W/m²,
The specifications in this datasheet are subjected to change without prior notice