

series
SKYMAX
 RM-500W-182M/120TB

N-TOPCon
 Bifacial Monocrystalline Module

- Light Redirecting Film: Ronma TOPCON modules use gap Light Redirecting Film technology to ensure the bifaciality and reliability of the module, meanwhile effectively increasing the power performance.
- No-Destructive Cutting: Ronma cells-cutting is using NDC (non-destructive) cutting technology, the cutting surface is smooth, which avoids the loss of the mechanical structure of the cells and ensures sufficient current.
- Junction Box Laser Welding Technology: Ronma uses the high energy density and precise positioning control capabilities of the laser to achieve high-quality welding. It can accurately control the junction box welding position and welding time to ensure welding quality and reliability, to improve module safety.

1996×1134×35/30 182×91.87

Dimensions (mm) Cell size (mm)

120 CELL 495-500Wp

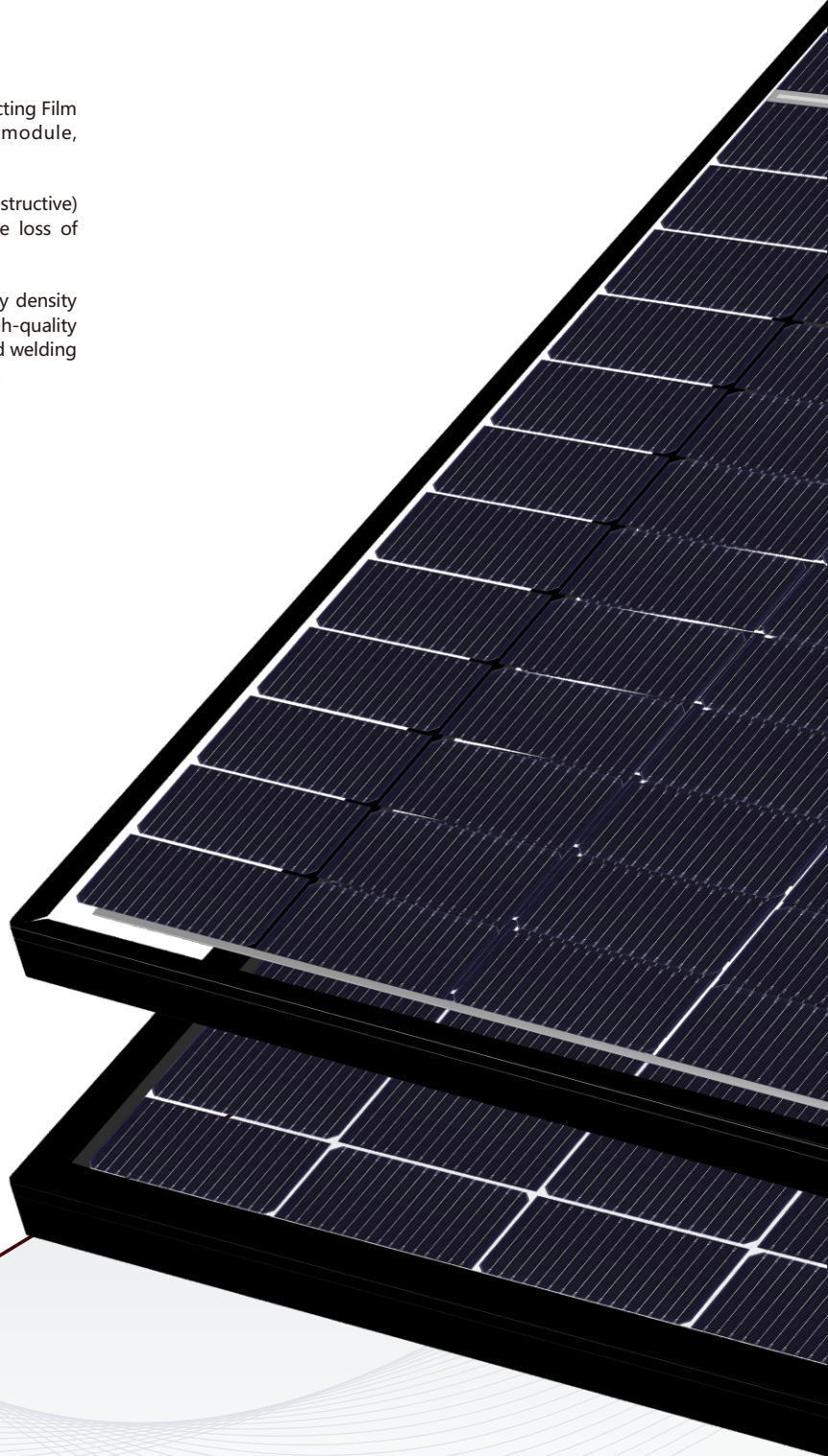
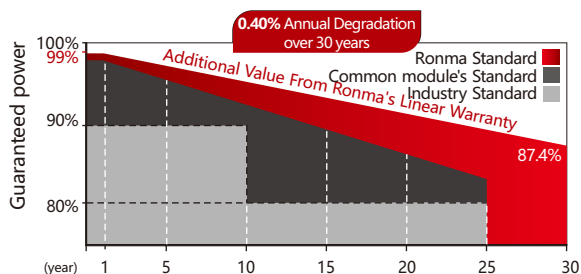
Mono TOPCon Power output

1500V DC 22.09%

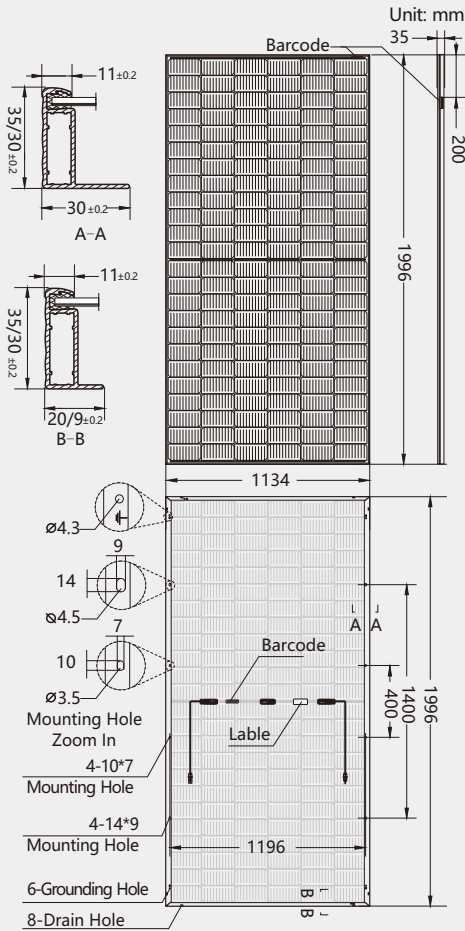
Max. system voltage Max. efficiency

LINEAR PERFORMANCE WARRANTY

15-year product warranty / 30-year linear power warranty

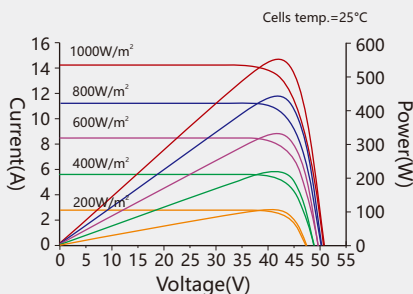


Dimensions of PV Module

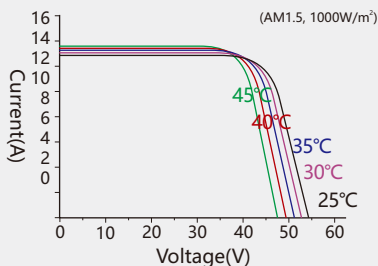


RM-500W-182M/120TB

I-V characteristics at different irradiances



I-V characteristics at different temperatures



ELECTRICAL CHARACTERISTICS (STC*)

Rated Power in Watts-Pmax(Wp)	495	500
Open Circuit Voltage-Voc(V)	43.52	43.65
Short Circuit Current-Isc(A)	14.37	14.47
Max. Power Voltage-Vmpp(V)	36.76	36.88
Max. Power Current-Impp(A)	13.46	13.56
Module Efficiency(%)	21.86	22.09
Maximum system voltage	1500V DC	
Fuse Rating(A)	30	
Temperature coefficient Pmax	-0.29%/°C	
Temperature coefficient Isc	0.045%/°C	
Temperature coefficient Voc	-0.25%/°C	
Refer. Bifacial Factor	80±5%	

*STC: Irradiance 1000W/m², module temperature 25°C, AM=1.5

WORKING CHARACTERISTICS (NOCT*)

Rated Power in Watts-Pmax(Wp)	421	425	429	432	436
Open Circuit Voltage-Voc(V)	48.13	48.32	48.51	48.70	48.89
Short Circuit Current-Isc(A)	11.41	11.46	11.50	11.55	11.60
Max. Power Voltage-Vmpp(V)	39.39	39.52	39.65	39.78	39.87
Max. Power Current-Impp(A)	10.69	10.75	10.81	10.87	10.94
Power tolerance	0~+3%				
NOCT	45°C±2°C				
Operating Temperature	-40°C~85°C				

*NOCT: Irradiance 800W/m², ambient temperature 20°C, wind speed 1m/s

MECHANICAL CHARACTERISTICS

Number of cells	120pcs	Type of frame	Anodized Aluminum Alloy
Size of cell(mm)	182×91	Size of module(mm)	1996×1134×35/30
Type of cell	N-TOPCon Mono	Weight(kg)	28
Thickness of glass(mm)	2.0	Cables/connectors	4.0mm ² , MC4 compatible
Junction box	IP68, 1500V DC, 3 Diodes	Length of Cable	+300mm/-200mm(connector included)
Length can be customized			

PACKAGING CONFIGURATION

Height of Modules (mm)	35	30
Number of Modules Per Pallet	31	36
Packaging Box Dimensions (l×w×h) (mm)	2300×1120×1260	2300×1120×1260
Box Gross Weight (kg)	1084	1210
Number of Modules Per 40ft (HQ) Container	620	720
Number of Pallets Per 40ft (HQ) Container	20	20

CAUTION: READ SAFETY AND INSTALLATION INSTRUCTIONS BEFORE USING THE PRODUCT
©2023 Ronma Solar. All rights reserved. Specifications included in this datasheet are subject to change without notice.

