



Monocrystalline Solar PV Modules

IEC61215/61730 Quality/ ISO Certified Company

Model No. **FDS150-12M10**

150W



Temperature Coefficients

| | | | |
|---------------------------------------|----------|------|---------|
| Nominal Operating Cell Temperature | NOCT | °C | 45 +/-2 |
| Voltage Temperature Coefficient (Voc) | α | %/°C | -0.32 |
| Current Temperature Coefficient (Isc) | β | %/°C | 0.055 |
| Power Temperature Coefficient (Pmpp) | γ | %/°C | -0.39 |

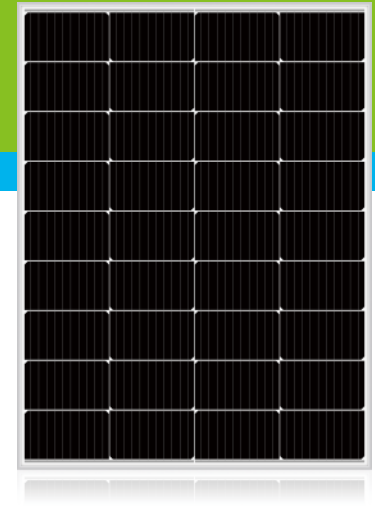
Mechanical Data

| | |
|------------------------------|----------------------------|
| Solar Cell | Monocrystalline, 182*105mm |
| Arrangement | 36Cells (4*9) |
| Front Glass | 3.2mm Tempered |
| Frame | Anodized Aluminium |
| Max. Static Snow Load, Front | 5400Pa |
| Max. Static Wind Load, Back | 2400Pa |
| Junction Box | IP67 |
| Cables & Connectors | As Per Requirement |

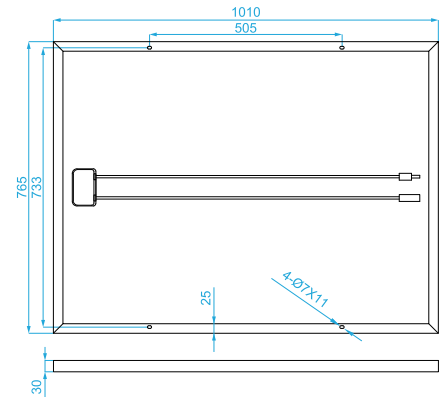
Electrical Data

STC: Irradiance 1000 W/m²(module temperature 25°C AM1.5)

| Module Type | | FDS150-12M10 | |
|-------------------------|------------------|--------------|-------------|
| Nominal Peak Power | Pmax | Wp | 150 |
| Minimum Power Tolerance | ΔP_{max} | % | -/+3 |
| Max. Power Voltage | Vmp | V | 20.2 |
| Max. Power Current | Imp | A | 7.43 |
| Open-circuit Voltage | Voc | V | 24.0 |
| Short-circuit Current | Isc | A | 8.07 |
| Module Efficiency | η_m | % | 19.4 |
| Operating Temperature | | °C | -40 to +85 |
| Max Series Fuse Rating | | A | 15 |
| Max. System voltage | DC | V | 1,500 |
| Weight | | KGS | 8.2 |
| Dimension | | MM | 1010*765*30 |



Dimensions unit : mm



Materials & Workmanship Warranty



90% Power Output Warranty



80% Power Output Warranty

Warranty : Solar Modules with 25 years warranty

#348, North Second Ring Road, Zhangjiagang City, China, 215600

Tel : 0086-512-58542102 Fax : 0086-512-58542707

Email : sales@fortunes-solar.com.cn

Website : www.fortunes-solar.com

