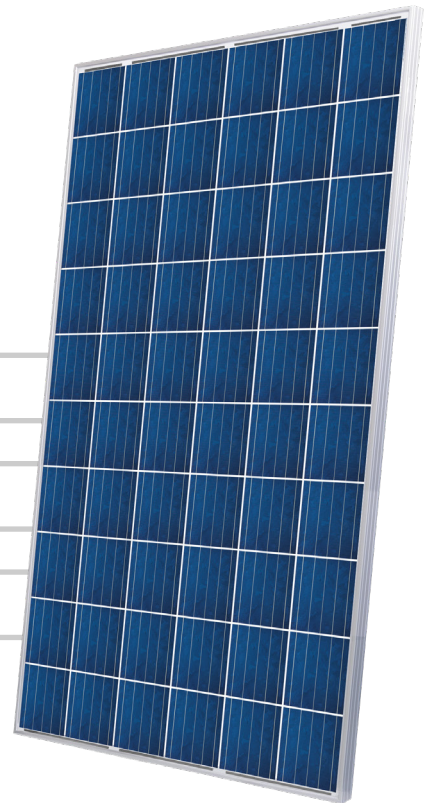


# POLY 60 SOLAR LINE

30 YEARS  
LINEAR POWER  
WARRANTY

30 YEARS  
PRODUCT WARRANTY

## SCP-290



HAILSTORM RESISTANCE

ULTRA-LIGHT ALUMINUM FRAME

ANTI-REFLECTIVE GLASS

### POLYCRYSTALLINE SOLAR MODULE

Top-reasons to choose our polycrystalline panels:

- A combination of quality and strength: we offer 30-years warranty on the production output and 15-years warranty on the product defects. Our solar panels are made with sturdy materials and capable of withstanding high snow loads.
- We place great importance on your investment: our panels always provide positive power tolerance and are competitively priced.
- Flexibility is our added value: thanks to the wide range of output powers our panels can be used for all kind of applications.
- We provide certified “made in Italy” quality: our panels are manufactured in Italy and endorsed by a qualified team.

60 CELLS

60

POLY

P

5 BUS BAR

5

SILVER  
FRAME

WHITE  
BACKSHEET

## ELECTRICAL CHARACTERISTICS (STC)\*

Nominal Output (Pmax)	290 W
Power Tolerance	0/+5 W
Voltage at Pmax (Vmp)	32.2 V
Current at Pmax (Imp)	9.01 A
Open Circuit Voltage (Voc)	39.28V
Short Circuit Current (Isc)	9.64A
Maximum System Voltage	1500 V
Maximum Series Fuse Rating	15 A
Module Efficiency	17.83%
Protection class against electric shock	Class II

\*STC: (Standard Test Condition) Irradiance 1000W/m<sup>2</sup>; Module Temperature 25°C; Air Mass 1.5

## SCP-290

## MECHANICAL CHARACTERISTICS

Solar Cells	60 (6 x 10) polycrystalline	Diodes	3 Bypass diodes serviceable
Solar Cells Size	156.75 x 156.75 mm / 6.17 x 6.17"	Junction Box	IP67 rated
Front Cover	3.2 mm / 0.13" thick, low iron tempered glass	Connector	MC4 or compatible connector
Back Cover	TPT (Tedlar-PET-Tedlar)	Cables Length	900 mm / 35.43"
Encapsulant	EVA (Ethylene vinyl acetate)	Cables Section	4.0 mm <sup>2</sup> / 0.006 in <sup>2</sup>
Frame	Anodized aluminium alloy, double wall	Dimensions	1640 x 992 x 40 mm / 64.57 x 39.06 x 1.57"
Frame finishing	Silver	Weight	18 kg / 39.68 lbs
Backsheet finishing	White	Max. Load	Certified to 5400 Pa

## TEMPERATURE CHARACTERISTICS

Temperature Coefficient of Pmax	-0.39 % / °C	Operating Temperature	-40 °C ~ +85 °C
Temperature Coefficient of Voc	-0.28 % / °C	NOCT**	45±2 °C
Temperature Coefficient of Isc	0.042 % / °C	**Nominal Operation Cell Temperature: Irradiance 800W/m <sup>2</sup> ; Air 20°C; Wind speed 1m/s	

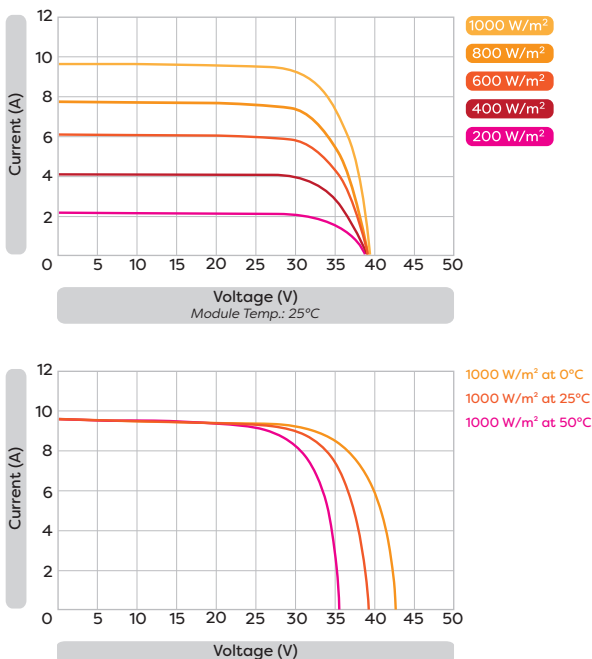
## PACKAGING

Pallet dimensions	1700 x 1200 x 1200 mm / 67 x 47 x 47"	Weight	516 Kg / 1138 lbs
Pieces per pallet	27	Pallets Stacked	2 pallets maximum

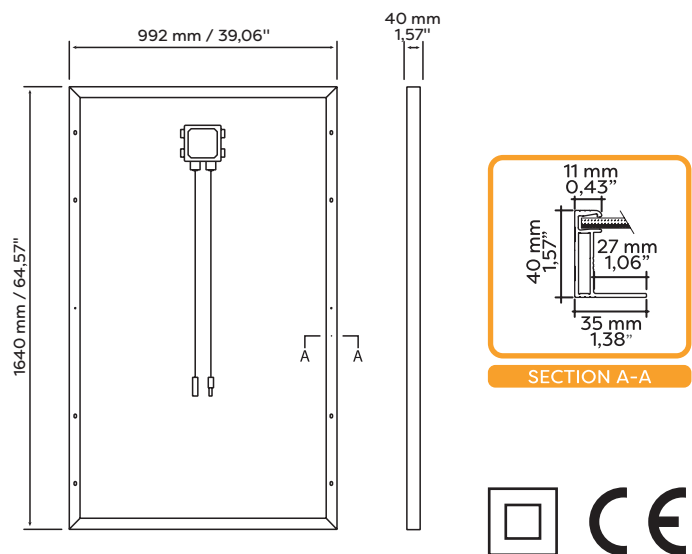
## CERTIFICATIONS

Fire resistance rating	1 (UNI 9177)
------------------------	--------------

## CURRENT/VOLTAGE CHARACTERISTICS



## DIMENSIONS



It is important to point out, that all technical specifications, information and figures contained in this datasheet are estimated values. We reserve the right to change the technical specifications, information and figures contained in this document at any time and without notice.

EN 01/2024 V01

 **SOLARCALL**

info@solarcall.it • www.solarcall.it