

# xantrex™

## FREEDOM X 2000 230V DATASHEET



AVAILABLE IN:  
**2000W, 12V**

### ROBUST. DURABLE. FLEXIBLE.

The FREEDOM X inverter offers premium performance in a lightweight compact package. It cranks out full output in invert mode from -20°C - 40°C for operation in all climate temperatures. The extended surge rating of the Freedom X makes it ideal to start difficult loads including a fridge and microwave. The quick connect terminals at AC IN/OUT make installation a breeze.



Exceptional full rated performance in all climate temperatures



True sine wave output for sensitive and motor loads



Ignition control feature turns inverter on/off via 12Vdc signal



View, control and configure via Bluetooth app\* on iOS and Android (COMING SOON)

#### APPLICATIONS:



**2 YEAR  
WARRANTY**

[www.xantrex.com](http://www.xantrex.com)  
CUSTOMER CARE: 1.800.670.0707

Copyright © 2020 Xantrex LLC. All Rights Reserved. All trademarks are owned by Xantrex LLC.

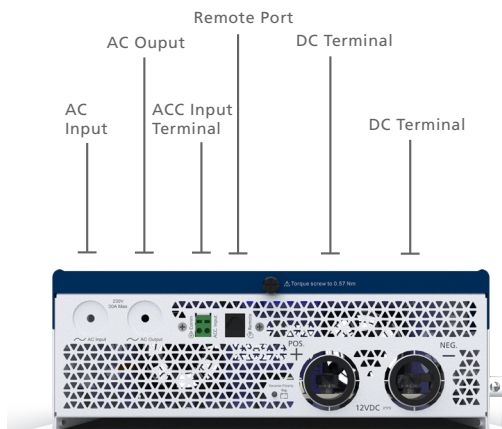
\*requires FREEDOM X Bluetooth Remote Panel, part #808-0817-02

<sup>1</sup> CE Marking: Low Voltage Directive, EMC Directive, and RoHS Directive Compliant

<sup>2</sup> Automotive EMC Regulation - 10 R-06 Compliant



TOP VIEW



SIDE VIEW



SIDE VIEW

## INVERTER FEATURES

### Extended Surge Rating

- Surges to 2X continuous power for at least 2 seconds for motor loads

### True Sine Wave AC Power

- For operation of sensitive and motor loads

### Ignition Control

- Feature to turn inverter on/off via a 12 VDC signal and to minimize battery drain by switching the inverter off when the ignition key is turned off

### Wide 10-17 VDC Input Range

- Ensures inverter operation on high voltage alternators found on many new vehicle chassis

### Programmable AC Under-Voltage (170-220V~) Shutdown

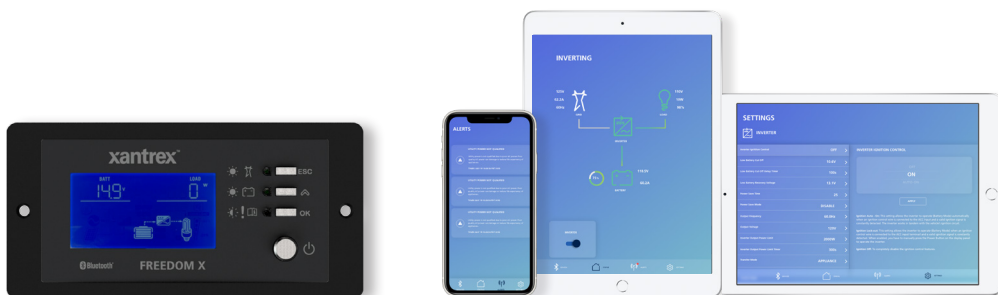
- Feature ideal to operate under weak shore power or generator input

### Built in 30A AC Transfer Relay

- Senses when outside AC Power is present and transfers the load from the inverter to the source of incoming power

COMING SOON

## FREEDOM X BLUETOOTH REMOTE PANEL + FXC CONTROL MOBILE APP



- Easily monitor system status
- Monitor alerts
- Change settings conveniently
- Connect via bluetooth
- Available on Android and iOS



DOWNLOAD ON



CONNECT WITH Bluetooth

FREEDOM X BLUETOOTH REMOTE PANEL  
(808-0817-02)

## ELECTRICAL SPECS - INVERTER

| FREEDOM X 2000 230V                  |  |
|--------------------------------------|--|
| AC Output Operating Voltage Options  | 220/230/240V $\sim$                                |
| Continuous Output Power              | Continuous Power 2000 W @40°C True sine wave (TSW) |
| Continuous AC Output Current         | 8.3 A $\sim$                                       |
| Surge Power                          | 4000 W (> 2 sec)                                   |
| Frequency (Configurable)             | 50 Hz (or 60 Hz)                                   |
| DC Input Operating voltage range     | 10.0 - 17.0 V $\text{---}$                         |
| DC Input Max Non-Operating Voltage   | 25.2 V $\text{---}$                                |
| DC Input Nominal Voltage (inverting) | 12.0 V $\text{---}$                                |
| DC Nominal Current at Full Load      | 192 A $\text{---}$                                 |
| Peak Efficiency                      | 91%  |
| Full Load Efficiency                 | > 87.5%  |

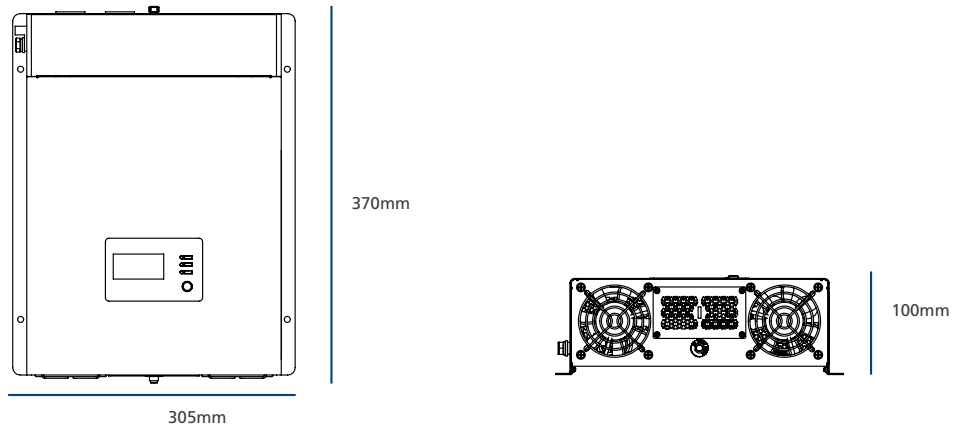
## GENERAL SPECS

| FREEDOM X 2000 230V                           |   |
|---|---|
| Operating Temperature Range                   | -20 to 60 °C, with output derated above 40 °C |
| Storage Temperature Range                     | -40 to 70 °C                                  |
| Operating Humidity Range                      | 5 to 95% RH, non-condensing                   |
| Operating Input AC Pass-Through Voltage Range | 170-280V $\sim$                               |
| Safe Non-Operating Input AC Voltage Range     | Up to 300V $\sim$                             |
| Transfer Relay AC Current Rating              | 30 A $\sim$ , 24 A continuous                 |
| Part Number                                   | 817-2000-12                                   |
| L x W x H (without flanges)                   | 370 mm x 275 mm x 100 mm                      |
| L x W x H (with flanges)                      | 370 mm x 305 mm x 100 mm                      |
| Net Weight                                    | 7.2 kgs                                       |

## REGULATORY APPROVALS

| FREEDOM X 2000 230V |   |
|---------------------|---|
| Safety              | CE Marking, Low Voltage Directive Compliant (Marine installations, drip shield, 808-1050) |
| EMC                 | CE Marking, EMC Directive and Automotive EMC - Regulation 10 R-06 Compliant               |
| Environmental       | CE Marking, RoHS Directive Compliant  |

### FREEDOM X 2000 230V DIMENSIONS



### ACCESSORIES

| Mfg Part #                                 | Description   |
|--|---|
| 808-0817-01                                | FREEDOM X/XC Remote Panel (with 7.62m network cable)                      |
| 808-0817-02                                | FREEDOM X Bluetooth Remote Panel (with 7.62m network cable) (Coming Soon) |
| 31-6257-00 (7.62m),<br>31-6262-00 (15.24m) | Remote Panel Cable  |
| 808-0232-01                                | Battery Temperature Sensor (BTS)  |
| 808-1050                                   | Drip Shield (for marine use)  |



View AC and battery current, % status bar for inverter output on the onboard display



Large wiring compartment with lever style connectors at AC IN/OUT for fast & easy installation



ACC input terminal for connecting ignition control wiring. Remote port allows you to connect an accessory remote control or display device.

## CONTACT

### CUSTOMER SERVICE

1.800.670.0707  
 customerservice@xantrex.com  
 Hours of operation:  
 6:30am - 4:30pm PST, Monday to Friday

 [facebook.com/Xantrex](https://facebook.com/Xantrex)

 @Xantrex

 [youtube.com/XantrexTechnology](https://youtube.com/XantrexTechnology)

### LEARN MORE ON:

[www.xantrex.com](http://www.xantrex.com)