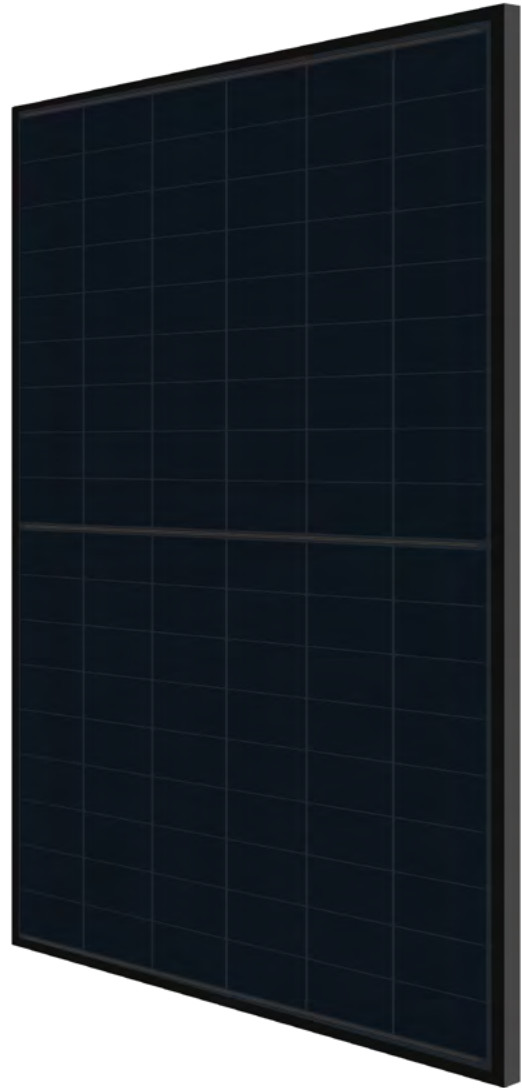


Ultra

MEPV — Eurener PV Module

> 450/460Wp



N-type cell

Higher resistance to LID and LeTID



Back contact technology

Improved energy yield by reducing BB shadowing



Premium aesthetic

Commercial and residential rooftop integration



Easy to handle

Comfortable installation thanks to an optimized area size



Better temperature coefficient

Minimized thermal losses, improved efficiency



Elegant design

Cells free from frontal metallization



20 Years

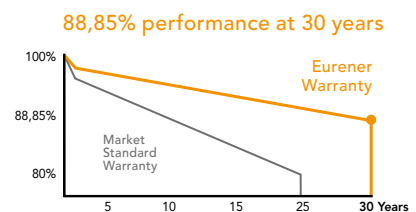
Product Warranty

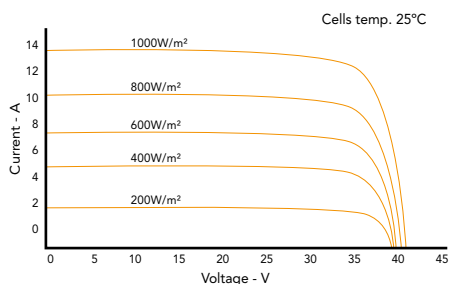
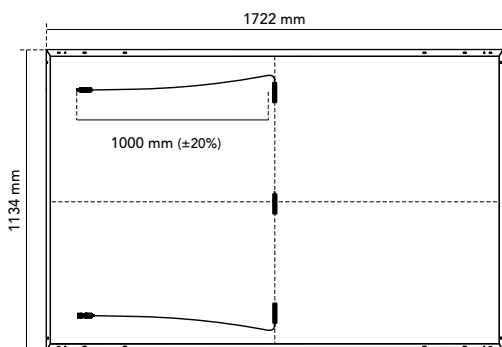
+5 years for Premium Partners

30 Years

Performance Warranty

Linear Warranty





Mechanical Specification	
Solar cells	N-Type monocrystalline silicon cells
Front Glass	3,2 mm thick tempered glass with high strength and ARC
Frame	Black anodized aluminium
Junction Box	IP68, 3 by-pass diodes
Connector	Original MC4-Evo 2
Cable	1000 mm (±20%) length and 4 mm ² section
Dimension	1722 x 1134 x 30 mm (±1%)
Area	1,95 m ²
Weight and packaging	20,5 kg, 936 pcs-truck
Temperature Coefficients	
Temperature coefficient of Isc (α)	0,05 %/°C
Temperature coefficient of Voc (β)	-0,24 %/°C
Temperature coefficient of Pmax (γ)	-0,29 %/°C
Temperature range	-40 °C ~ +85 °C
Nominal operating cell temperature (NOCT)	43 ± 2 °C

Black	MEPV 450	MEPV 460
STC: 1000 W/m², module temperature 25°C, AM 1,5		
Nominal power. Pmax	450 Wp	460 Wp
Module efficiency	22,98 %	23,63 %
Short-circuit current (Isc)	13,74 A	13,91 A
Open-circuit voltage (Voc)	40,24 V	40,40 V
Maximum power current (Imp)	13,21 A	13,47 A
Maximum power voltage (Vmp)	34,10 V	34,20 V
NOCT: 800 W/m², ambient temperature 20°C, AM 1,5		
Nominal power. Pmax	339 Wp	347 Wp
Short-circuit current (Isc)	11,16 A	11,24 A
Open-circuit voltage (Voc)	37,84 V	38,00 V
Maximum power current (Imp)	10,64 A	10,76 A
Maximum power voltage (Vmp)	31,94 V	32,27 V
Operating parameters		
Maximum voltage	1500 V	
Maximum series fuse rating. Ir	25 A	
Power output tolerance	0 - +3%	
Voc and Isc tolerance	±3%	
Fire rating	Class C (UL 790)	
Protection class	Class II (IEC 61140)	
Hail resistance	HW3/RG3	
Mechanical loads	Front load 5400 Pa, Back load 2400 Pa	

NOTE: Read the instruction manual of this product and follow the indications STC. Values are valid for: 1000W/m², AM 1,5 and cells temperature of 25°C. Measurement tolerance +/-3% (AAA Solar simulation -IEC 60.904-9-). All the information of this brochure may be amended without notice by Eurener.