

EXPERTS IN ENERGY,
POWERED WITH PASSION

ELAT
SOLAR

ELAT-FB-SG-430

The next generation **single glass** solar panel with outstanding performance.

430 W

220 W/m²

Optimal performance and extended service life
with **TOPCon technology**.

Full black monocrystalline solar panels:
stylish, efficient and less reflection.

Sophisticated and modern design,
suitable for almost any roof.

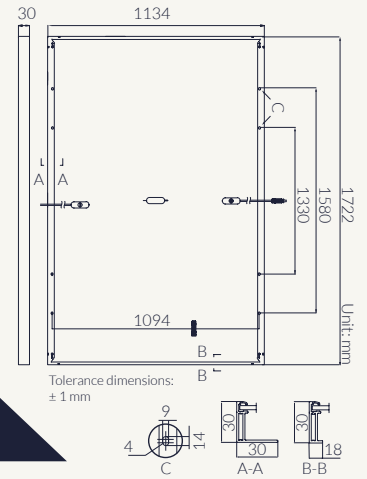
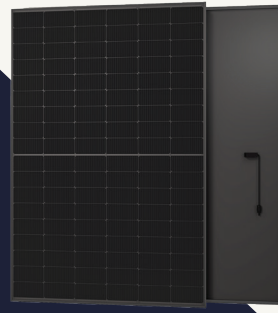
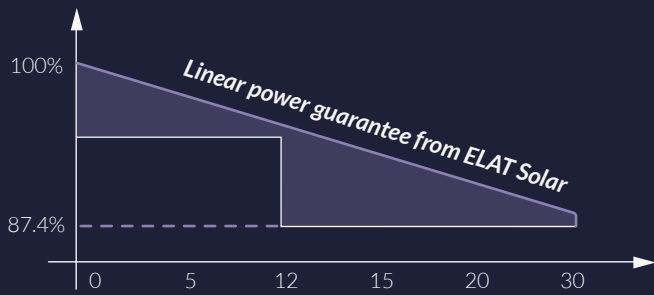
25
year

manufacturer's
warranty

30
year

linear power
guarantee

30 year linear power guarantee



Mechanical Parameters

Cell type	182 x 91 mm N Type Mono
Cell technology	TOPCon
No. of cells	108 (6x18)
Junction Box	IP67/IP68, 3 diodes
Output cable	4 mm ² , 1100 mm
Connector	MC4
Glass	Single glass, 3.2 mm coated tempered glass
Frame	Anodized aluminium alloy frame
Weight	21.50kg
Dimensions	1722 x 1134 x 30 mm
Packaging	37 pcs per pallet / 222 pcs per 20 FT container / 962 pcs per 40 HQ container

Electrical Characteristics STC: AM 1.5 1000 W / m² 25°C

Module type	ELAT-FB-SG-430
Maximum power (P_{max} / W)	430
Open circuit voltage (V_{oc} / V)	38.49
Short circuit current (I_{sc} / A)	14.23
Voltage at maximum power (V_{mp} / V)	31.88
Current at maximum power (I_{mp} / A)	13.49
Module efficiency (%)	22.02

Certificates



• IEC61215 • IEC61730

Operating Parameters

Operational temperature	-40°C ~ +85°C
Power output tolerance	0 ~ +5 W
V_{oc} - and I_{sc} -tolerance	± 3%
Maximum system voltage (V)	1500 V
Maximum series fuse rating	25 A
Nominal Operating Cell Temperature (NOCT)	45 ± 2°C
Protection class	Class II
Fire rating	UL 1703, Class A

Mechanical Loading

Front side maximum static loading	5400 Pa
Rear side maximum static loading	2400 Pa
Hailstone test	25 mm hailstone at speed 23 m/s

Temperature Ratings (STC)

Temperature Coefficient of I_{sc} (A / °C)	+ 0.046 % / °C
Temperature Coefficient of V_{oc} (V / °C)	- 0.250 % / °C
Temperature Coefficient of P_{max} (W / °C)	- 0.300 % / °C

Certificates are available on request. ELAT Solar's solar cells and solar modules are both manufactured by Bloomberg Tier 1-listed suppliers.

Research, design and development in the ELAT region. 