

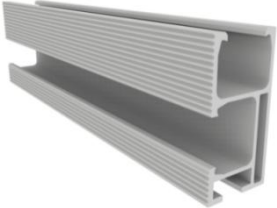
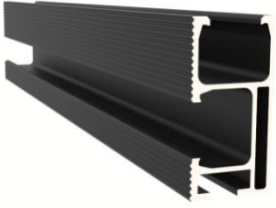
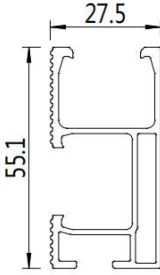
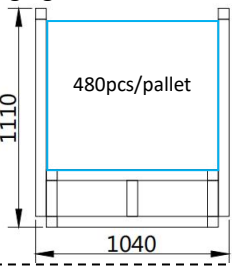

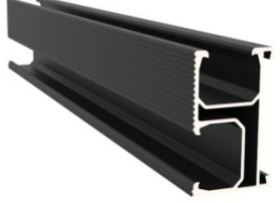
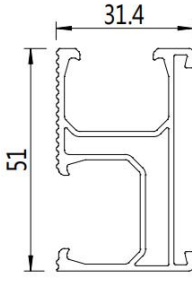
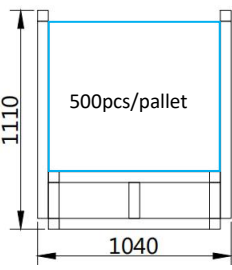

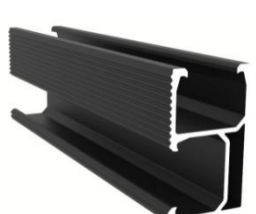
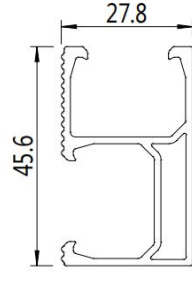
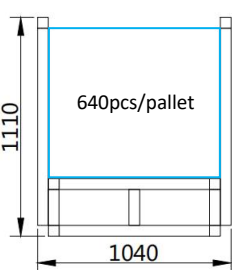
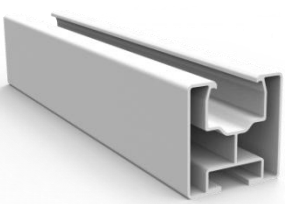
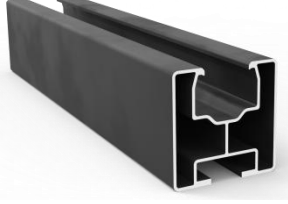
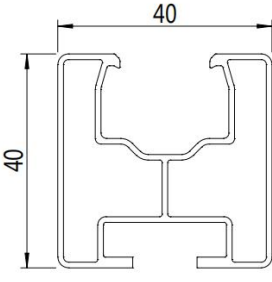
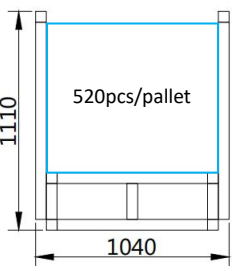

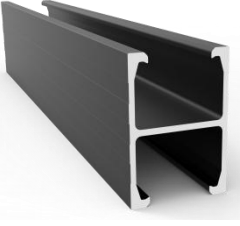
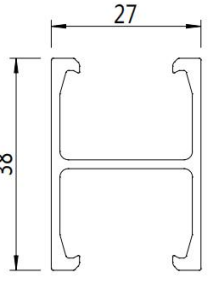
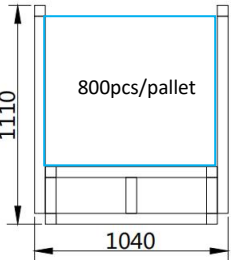
Rail & Splice for roof

These rails are designed for all kinds of roof type. It comes with high quality, high strength and low cost.

Features:

1. Material: Aluminum 6005-T5
2. Flexibility and compatible
3. Universal
4. Natural and black available

Roof Rail Series

		 27.5 55.1	Packaging: L*1040*1110  480pcs/pallet 1110 1040
		 31.4 51	 500pcs/pallet 1110 1040
		 27.8 45.6	 640pcs/pallet 1110 1040
		 40 40	 520pcs/pallet 1110 1040
		 27 38	 800pcs/pallet 1110 1040

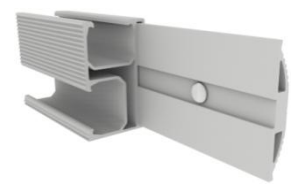
Rail Connector Series



MG-RRC-CA-01



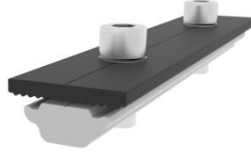
MG-RRC-BA-01



Assembled Diagram



MG-RRC-CA-02



MG-RRC-BA-02



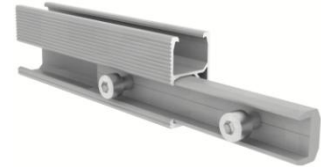
Assembled Diagram



MG-RRC-CA-04



MG-RRC-BA-04



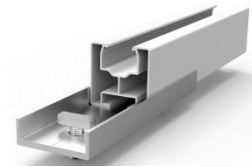
Assembled Diagram



MG-RRC-CA-05



MG-RRC-BA-05



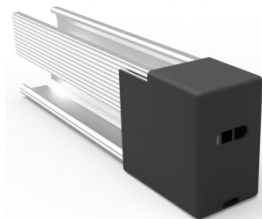
Assembled Diagram

Rail End Cap

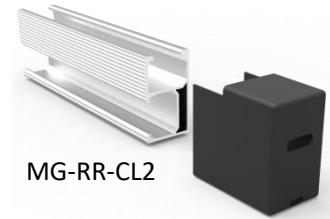
1. The material is PE, which has good anti-aging performance; it is suitable with MG-RR-CL2 rail.



MG-RR-EC-02

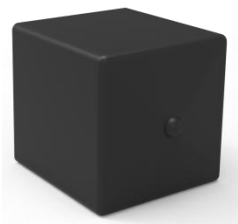


Assembled Diagram

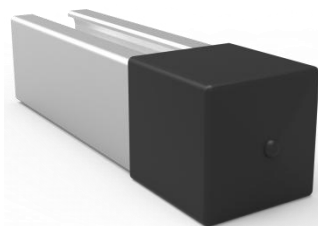


MG-RR-CL2

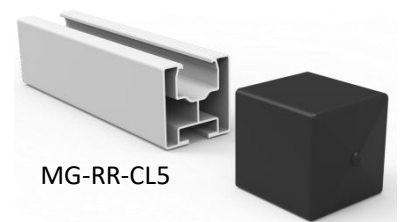
2. The cap adopting high quality EPDM material, it can work with MG-RR-CL5 rail and it also can fit with all type 40x40mm size rail in the market.



MG-RR-EC-05



Assembled Diagram



MG-RR-CL5