

Innovation  
for A Better Life

**COSLINK** ESS

**CHANGE  
YOUR ENERGY  
PROVIDE  
ENERGY  
INDEPENDENCE**

**EnerMax-C&I**  
Distributed Liquid-Cooling  
Active Control Energy Storage Cabinet

[www.coslinkess.com](http://www.coslinkess.com)  
Official Authorized ESS Integrator of CATL



## Features and Advantages



### High compatibility

- Support of simultaneous input from power grid and PV
- DC/AC side modular design
- Simplified after-sales operation and maintenance



### High reliability

- Support of distributed layout
- Real time remote intelligent management
- Cluster management: less self-power-consuming
- Built-in aerosol fire-proof system



### Intelligent management

- EMS & Cloud real-time monitoring
- AC/DC flexible management
- Built with active control optimizer
- Support of parallel connection

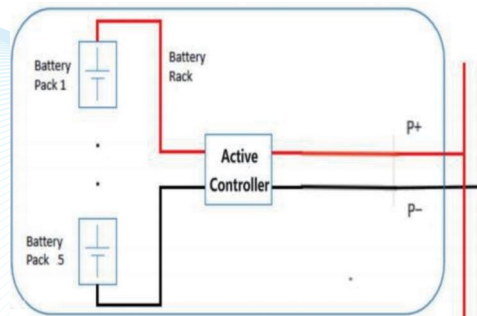
**Leader of ESS Active Control Technology**  
Provide Professional OEM/ODM Solution and Product



**UN38.3**

Model	CB233-LC
Rated Capacity [Ah]	280
Rated Voltage [V]	832
Output Voltage Range [Vdc]	650-949
Rated Energy [kWh]	233
Dimensions [W*D*H, mm]	1100*1300*2370
Charging Temperature Range [°C]	0~ 55
Discharge Temperature Range [°C]	-20~ 55
Optimum Operating Temperature Range [°C]	20±3, average 20
Storage Humidity	95 ±25% RH (non-condensing)
Cooling	Liquid cooling
Communication	CAN
Weight [kg]	~ 2205
IP Grade	IP54
Maximum Charging Current [A]	140 (0.5C)
Maximum Discharging Current [A]	140 (0.5C)

### Topology Diagram



Note: The above information may subject to update without prior notice.