

# Micro Sun Series

Monocrystalline  
60 - cell Module

TW-250MM

250W

0-3% Positive Tolerance



Monocrystalline



Grade A

## Quality Certification



Scope:

This Product Specification indicates the details of this product's Scale, Performance, and Lab Test results.

### Module Specification

Module Size	1640*992*35mm
Weight	17kg
Cell Type	Mono crystalline 157*157mm,60 Pieces(6*10)
Glass	3.2mm
Frame	Anodized aluminum alloy
Junction Box	Ip68
Module Material	EVA, PET/TPT
Cable	4mm <sup>2</sup> , MC4compatible

### Electrical Characteristics

Voc(V)	21.80V
Isc(A)	13.95A
Vmp(V)	18.24V
Imp(A)	13.16A
Pmax(W)	250W
Temp	-40°C~+85°C

### Temperature Characteristics

Power Tolerance	±5%
Max.Power Temp.	-0.40%/°C
Open circuit Voltage Temp.	-0.30%/°C
Shot circuit current Temp.	0.06%/°C
Max.System Voltage(V)	1000V



General Specification:

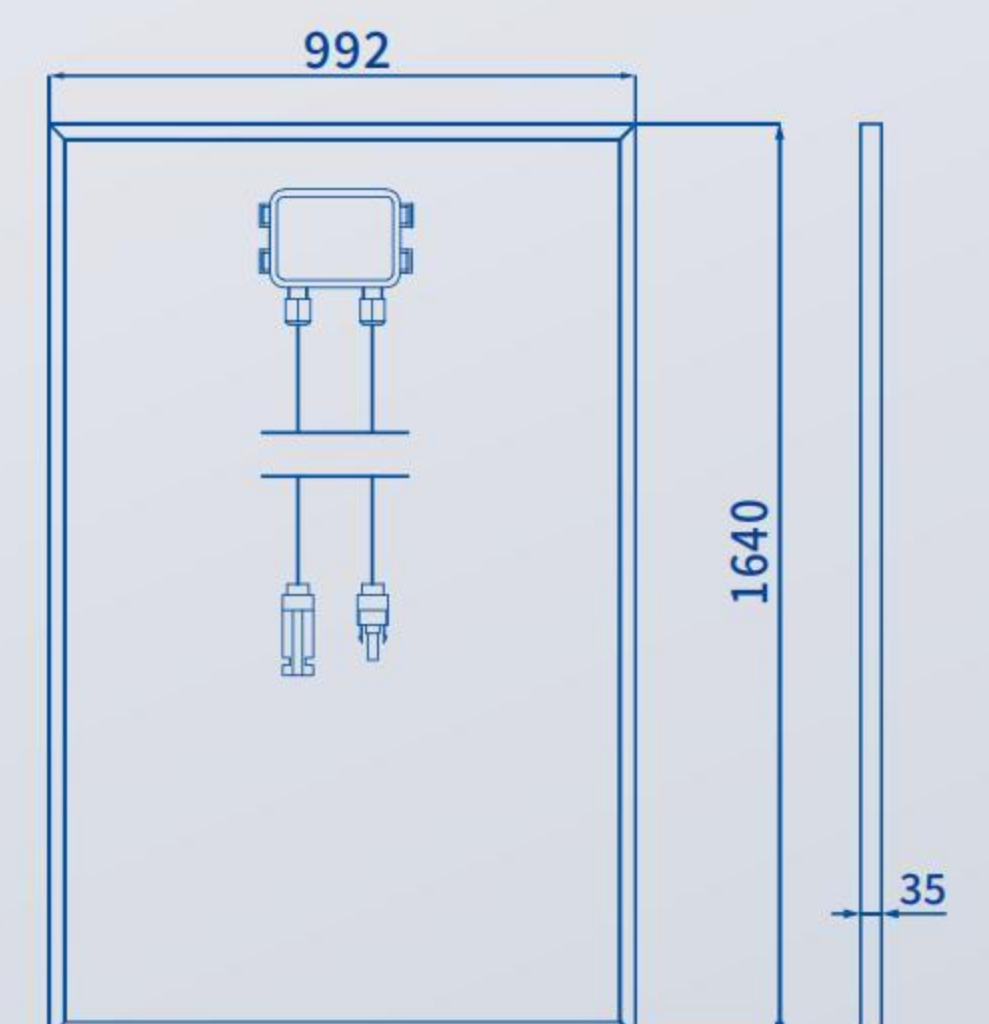
1. Scope of Product Application:

This Product is applicable in Solar Module matrix and Solar System for both domestic home and industrial purpose

2. Test Condition:

Irradiance 1000W/m<sup>2</sup>, Module Temperature 25°C, AM1.5

### Engineering Drawings



10 10 Years Product Warranty

20 20 Years Linear Power Warranty

Environment Condition:

- 1.Storage:-10°C-40°C
- 2.Do not block, expose under sun light

Please Be Aware:

- 1.Do not apply exceeds standard rate of work.
- 2.Avoid any scratches during installation.
- 3.Do not bend during usage or transportation.
- 4.Do not contact with any strong corrosion materials.
5. Identify correct Positive and Negative polarity during installing.



Add: Shangman Industrial Park, Caobu Town  
Rudong County, Nantong City, Jiangsu Province, China  
Tel: 86-513-81900128  
Web:www.techwisesolar.com  
Email:salesdept@techwisesolar.com

All data and specifications included in this brochure may subject to be modified without notice.  
All Rights reserved by TechWise Solar Co.  
(Mar 2024 V3 Edition)