

OUR FLAT ROOFS MOUNTINGS



WELDED WATERPROOFING RAIL

TYPE OF WATERPROOFING /



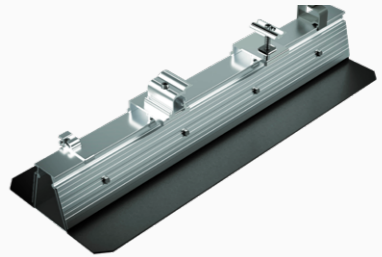
BITUMEN 	PVC 	TPO 	EVALON 
---	---	--	--

OUR RAILS WITH PRE-MOUNTED WATERPROOFING STRIPS /

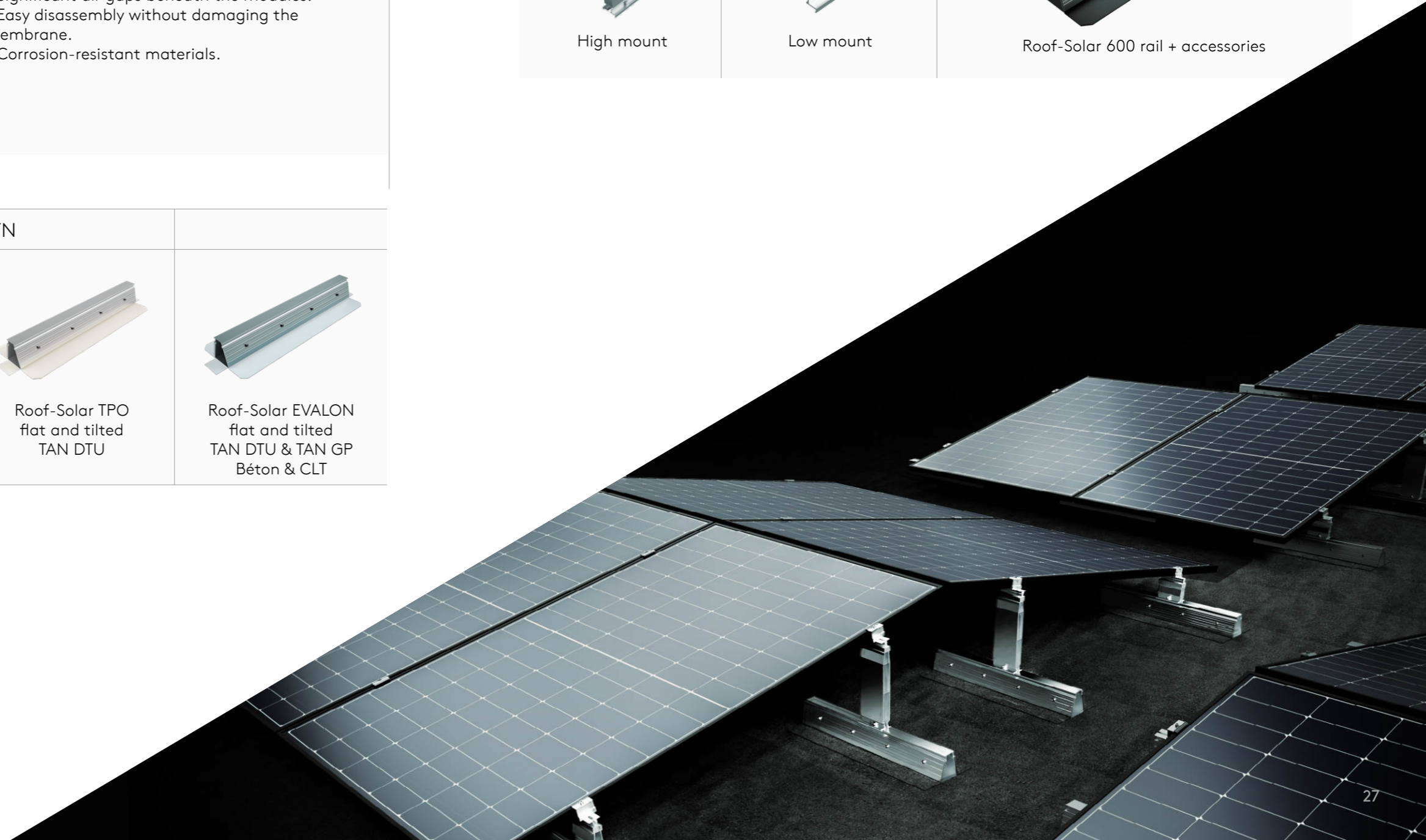
BENEFITS

- All types of buildings: buildings subject to biodiversity laws, logistics platforms, commercial, and residential buildings.
- No waterproofing penetration.
- Easy installation.
- Lightweight system.
- Panels can be tilted up to 10°.
- Significant air gaps beneath the modules.
- Easy disassembly without damaging the membrane.
- Corrosion-resistant materials.

MOUNTS /

TILTED	FLAT	
 High mount	 Low mount	 Roof-Solar 600 rail + accessories

ATec		AVIS  TECHNQUE		ETN	
 Roof-Solar BITUMEN flat and tilted TAN DTU	 Roof-Solar PVC flat and tilted TAN DTU	 Roof-Solar TPO flat and tilted TAN DTU	 Roof-Solar EVALON flat and tilted TAN DTU & TAN GP Béton & CLT		
ATEx		CSTB  le futur en construction			
 Roof-Solar BITUMEN TAN GP					



ZOOM ON THE COMPLEX COMPONENTS

ROOF-SOLAR BITUMEN/PVC/TPO/EVALON

1 LOAD-BEARING ELEMENT RIBBED STEEL SHEETS

2 INSULATION PANELS CLASS C COMPRESSION

3 WATERPROOFING MEMBRANE

4 ROOF-SOLAR SYSTEM

- ROOF-SOLAR BITUMEN flat or tilted double/simple shed
- ROOF-SOLAR PVC flat or tilted double/simple shed
- ROOF-SOLAR TPO flat or tilted double/simple shed
- ROOF-SOLAR EVALON flat or tilted double/simple shed

5 REFERENCED PHOTOVOLTAIC MODULE

