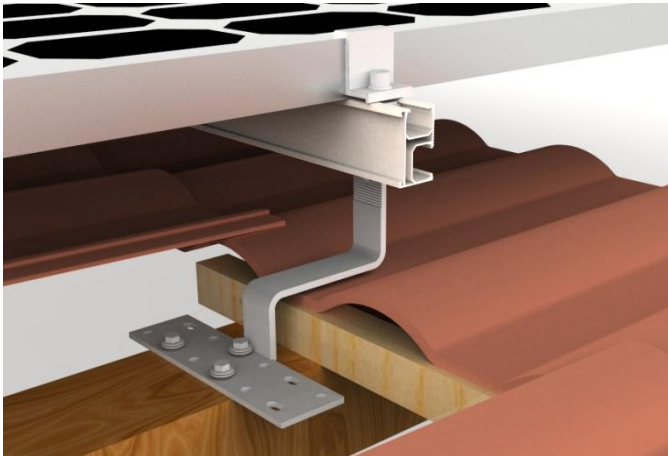


Roman Tile Roof Mount



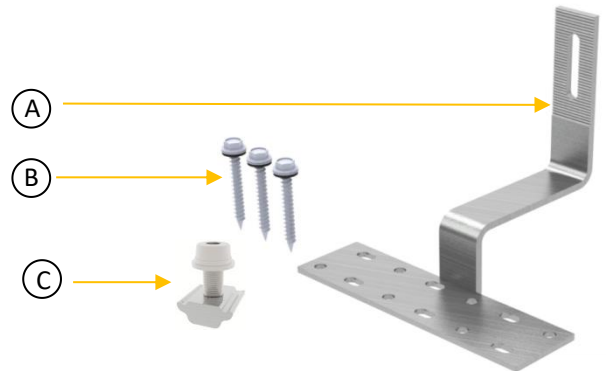
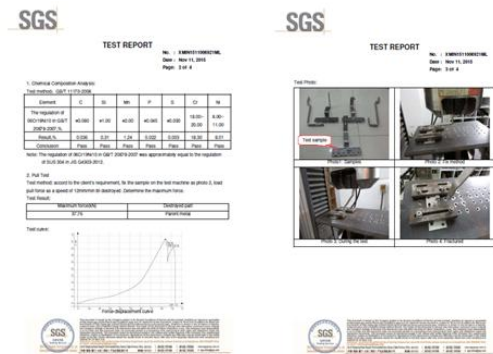
Roman Tile Hook, different options offered to install on top of roof and side of roof rafter

1. Accommodate different types of PV solar panels
2. Custom-made tile hooks based on tile specifications
3. Made of SUS 304
4. Easy and fast installation
5. No need to drill into tile
6. Slotted for easy adjustment

Component List

| Component | Quantity |
|---|----------|
| A. Stainless Steel 304 hook | 1 |
| B. 6.3x65mm wood screw & EPDM washer | 3 |
| C. M8x25mm SUS 304 bolt & rail nut & SUS washer | 1 |

SGS TEST REPORT



MG-SS-RTH-01

Aluminum Tile Hook



MG-AA-RTH-01

Roman Tile Hook Series



MG-SS-RTH-02

MG-SS-RTH-03

MG-SS-RTH-04

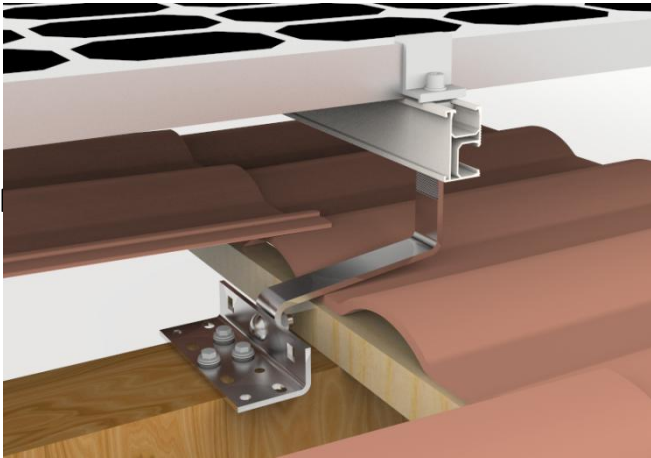


MG-SS-RTH-05

MG-SS-RTH-06

MG-SS-RTH-07

Adjustable Tile Roof Mount

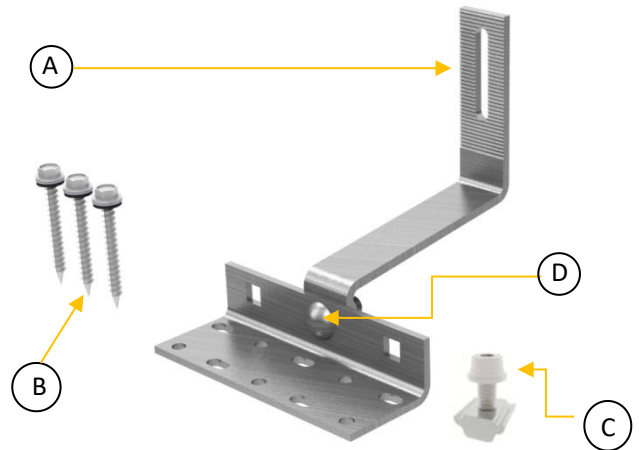


Adjustable Tile Hook can be adjusted horizontally and vertically, which extend the chance where regular tile hook can't be used.

1. Accommodate different types of PV solar panels
2. Custom-made tile hooks based on tile specifications
3. Made of SUS 304
4. Easy and fast installation
5. No need to drill into tile
6. Slotted for easy adjustment

Component List

| Components | Quantity |
|---|----------|
| A. Stainless Steel 304 hook | 1 |
| B. 6.3x65mm wood screw & EPDM washer | 3 |
| C. M8x25mm SUS 304 bolt & rail nut & SUS washer | 1 |
| D. M10x25mm bolt & hex nut | 1 |



MG-SS-ATH-01

SGS TEST REPORT



TEST REPORT

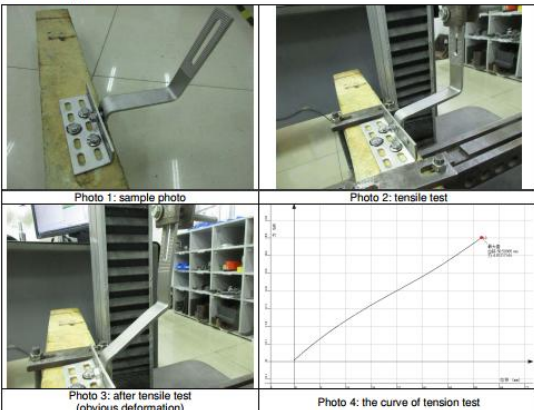
No. : XMIN1810006911ML
 Date : Oct 16, 2018
 Page: 2 of 3

Pull test:

Test method: According to the client's requirement, the base plate of the hook was fixed to the wood with three 8"100 wood screws, while the wood was fixed to the test bench (see photo 2); Increase the tensile force as 5mm/min until the hook has obvious deformation. Record the force.

Test result: When the force increased to 4.91kN, hook presented obvious deformation (see photo 3).
 Note: Screws and wood are provided by the customer.

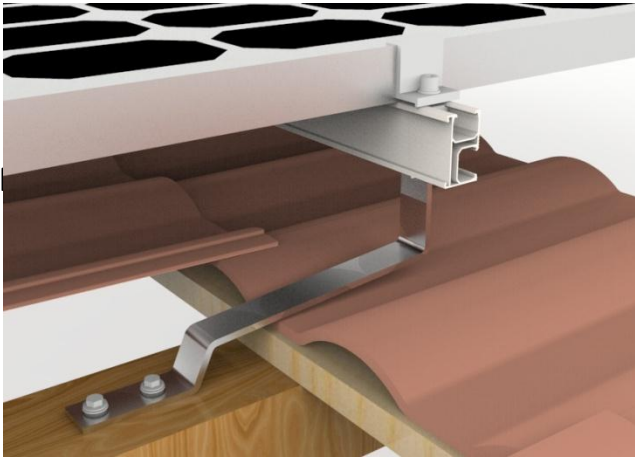
Test Photo(s):



Adjustable Tile Roof Hook Series



Flat Tile Roof Mount

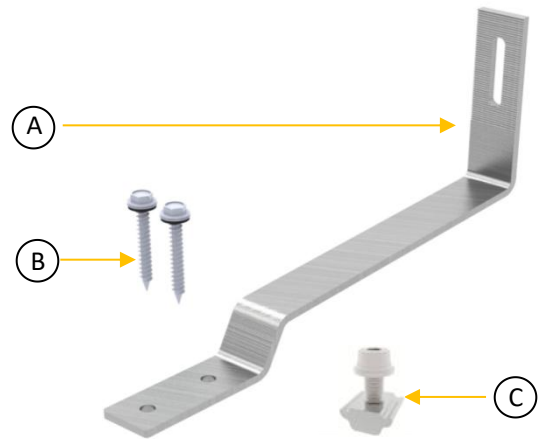


Flat Tile Hook offers the best and easiest solution when install a solar system on cement or flat tile roof.

1. Accommodate different types of flat tile roofs
2. Made of SUS 304
3. Pre-assembled parts for easy and fast installation
4. No need to drill into tile
5. Slotted for easy adjustment

Component List

| Components | Quantity |
|---|----------|
| A. Stainless Steel 304 hook | 1 |
| B. 6.3x65mm wood screw & EPDM washer | 2 |
| C. M8x25mm SUS 304 bolt & rail nut & SUS washer | 1 |



MG-SS-FTH-01

Shingle Tile Roof Hook Series



MG-SS-STH-01



MG-SS-STH-02



MG-SS-STH-03



MG-SS-STH-04

Flat Tile Roof Hook Series



MG-SS-FTH-02



MG-SS-FTH-03

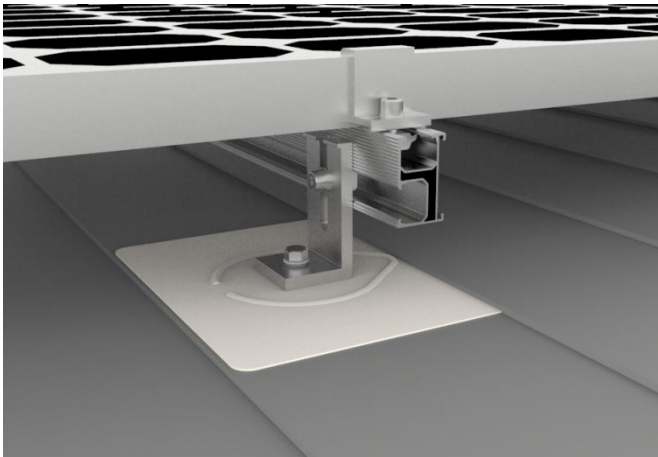


MG-SS-FTH-04



MG-SS-FTH-05

Composition Shingle Roof Mount

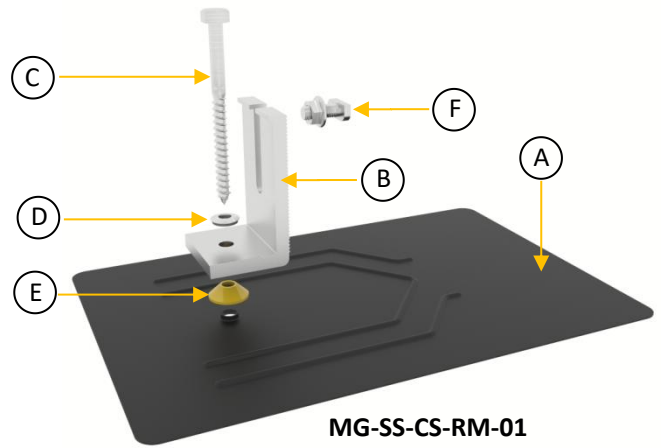


This flashing mount kit is the best solution for composition shingle roof.

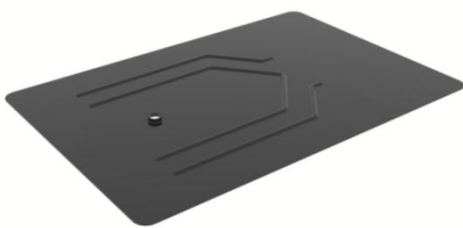
1. Simple and fast installation
2. Flashing mount for high water proof protection
3. Waterproof EPDM rubber gasket integrated
4. Flashing and L Foot made of 100% aluminum
5. Hardware included

Component List

| Components | Quantity |
|---------------------------------|----------|
| A. Aluminum flashing | 1 |
| B. Aluminum L Foot | 1 |
| C. 3/8"-5/16" SUS 304 lag screw | 1 |
| D. Waterproof Washer | 1 |
| E. Waterproof Rubber Gasket | 1 |
| F. M8x25mm T Bolt Kit | 1 |



Composition Shingle Roof Mount Series



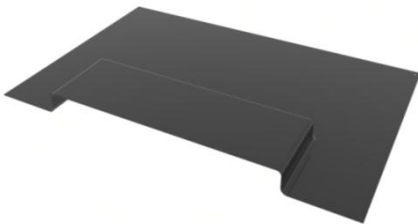
MG-SS-CS-AF-01



MG-SS-CS-AF-02



MG-SS-CS-AF-03



MG-SS-CS-AF-04

