



VRLA Rechargeable Battery

BC75-12



FEATURES

- Maintenance free(no water topping-up required)
- No free acid(Non-spillable battery)
- Can be used in any orientation(excluding used inverted)
- Absorbent Glass Mat technology for efficient gas recombination


APPLICATIONS

- UPS
- Telecom




SPECIFICATIONS

Nominal Voltage	12 V
Nominal Capacity	75Ah @ 20 hour rate F.V.(1.75V/cell)
Approx. Weight	20.2Kg(44.53lbs.)
Terminals	B5 (Fitting M6 bolt & nut) I2 is optional
Internal Resistance	≤8mΩ (Fully Charged)
Max. Discharge Current	750 A (5 sec.)
Max. Charge Current	22.5 A
Operating Temperature Range	Charge : 0°C~40°C(32°F~104°F) Discharge : -20°C~50°C(-4°F~122°F) Storage : -20°C~40°C(-4°F~104°F)
Container Material	Standard: ABS(UL94 HB) BC75-12 Optional: Flame Retardant ABS(UL94 V-0) BC75-12FR

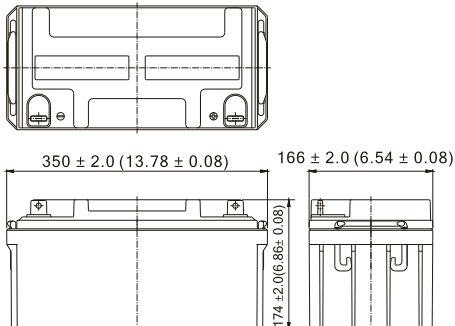
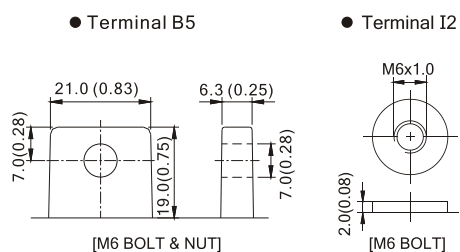


MH19884



C4M20310-2474-E-16

- IEC 61056-1
- JIS C 8702-1
- GB/T 19639.1

DIMENSION(mm/inch)	OUTER DIMENSIONS	TERMINAL TYPE
<ul style="list-style-type: none"> ■ Length 350±2.0 (13.78±0.08) ■ Width 166±2.0 (6.54±0.08) ■ Container Height 174±2.0 (6.85±0.08) ■ Total Height 174±2.0 (6.85±0.08) 		<ul style="list-style-type: none"> ● Terminal B5 ● Terminal I2  <p style="text-align: center;">Terminal Hardware Initial Torque: B5,I2(5.5Nm±5%)</p>

Constant power discharge characteristics at 25 °C/77 °F Unit: W

Discharge Time	10 Min	15 Min	30 Min	1 Hr	3 Hr	5 Hr	10 Hr	20 Hr
F.V. (V/cell)								
1.80V	1537.0	1254.8	850.0	534.9	218.7	150.75	84.23	44.33
1.75V	1664.5	1312.2	882.8	551.0	223.0	153.00	85.50	45.00
1.70V	1721.9	1352.1	902.8	560.9	225.0	153.83	85.95	45.23
1.65V	1763.3	1383.8	915.6	567.7	226.6	154.35	86.18	45.38
1.60V	1801.6	1410.8	924.8	573.3	227.9	154.80	86.18	45.38

Constant current discharge characteristics at 25 °C/77 °F Unit: A

Discharge Time	10 Min	15 Min	30 Min	1 Hr	3 Hr	5 Hr	10 Hr	20 Hr
F.V. (V/cell)								
1.80V	138.6	112.2	72.8	44.9	18.2	12.60	7.05	3.68
1.75V	150.2	117.2	75.6	46.3	18.6	12.75	7.13	3.75
1.70V	155.5	120.9	77.3	47.2	18.8	12.83	7.20	3.75
1.65V	162.2	123.7	78.3	47.7	18.9	12.90	7.20	3.75
1.60V	168.6	126.1	79.2	48.1	19.0	12.90	7.20	3.75

All data and artworks shall be changed without prior notice, BB reserves the right to explain and update the information contained hereinto.