



ATec



Single skin metal roofs



Sandwich Panels



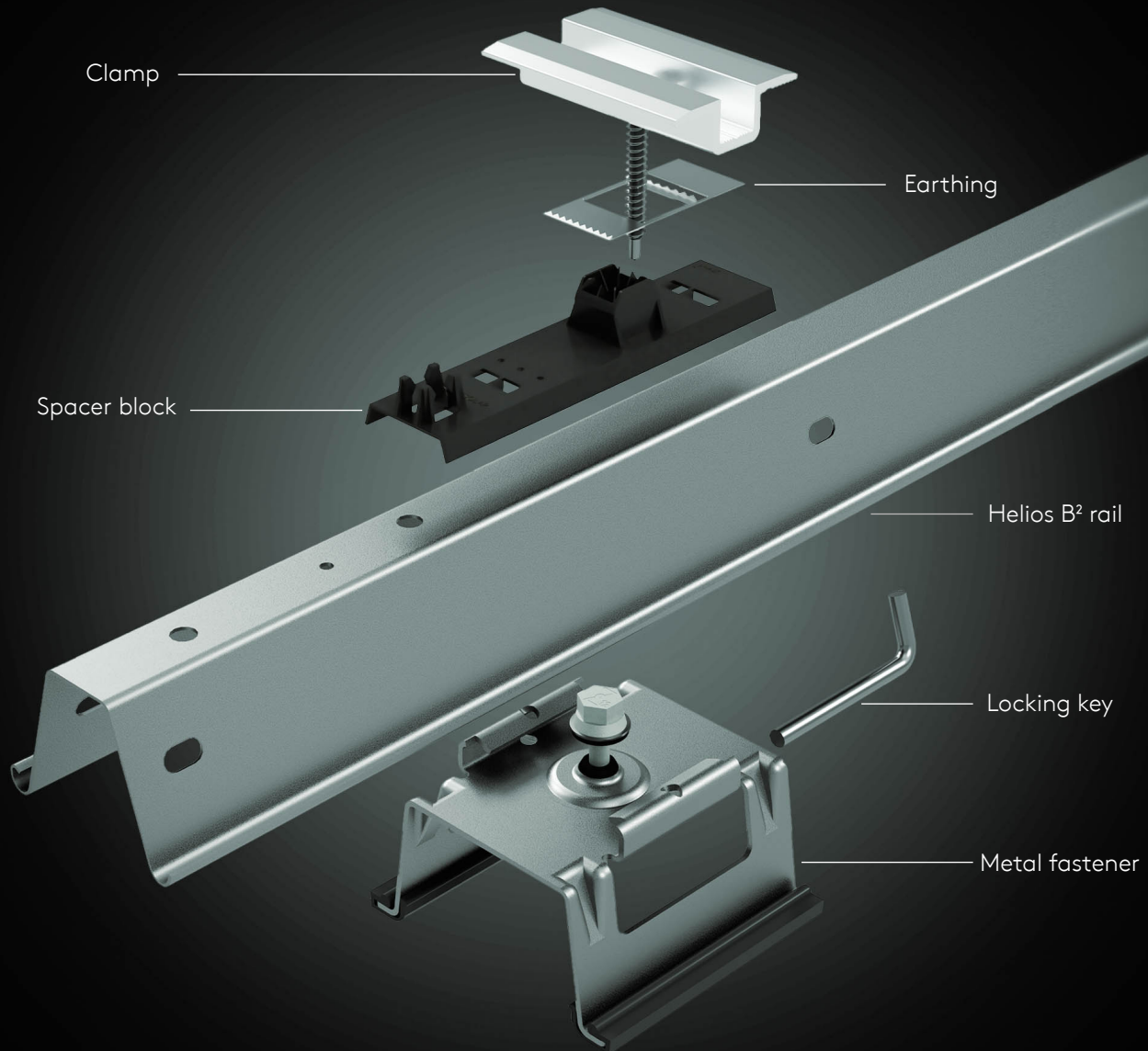
Landscape Orientation



Low-carbon green steel



Green List C2P



THE ADVANTAGES OF THE HELIOS B² SYSTEM.

- Fastening only in the purlin without drilling the roof metal sheet.
- Custom cut to measure rails to the width of the PV module for quick installation.
- Large ventilation space under the module (92 mm air gap).

