

NPA 3.45 V2

Fixing in the single skin metal roof



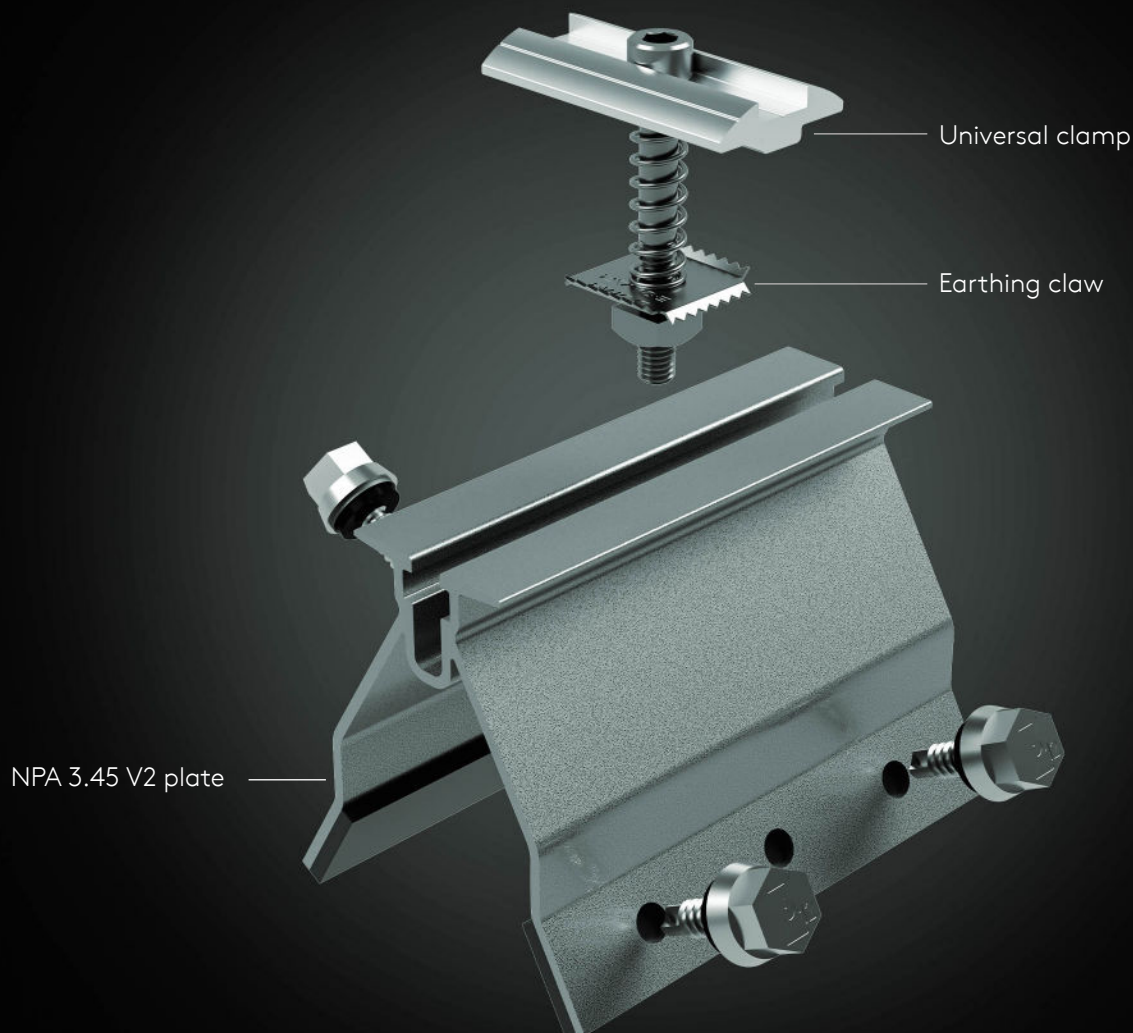
ETN



Single skin metal roofs



Landscape Orientation



THE ADVANTAGES OF THE NPA 3.45 V2 SYSTEM.

- System with an outstanding performance/quality/price ratio.
- Fixing to the sides of the crown ensures stronger pull resistance
- Distance between modules 10 mm

