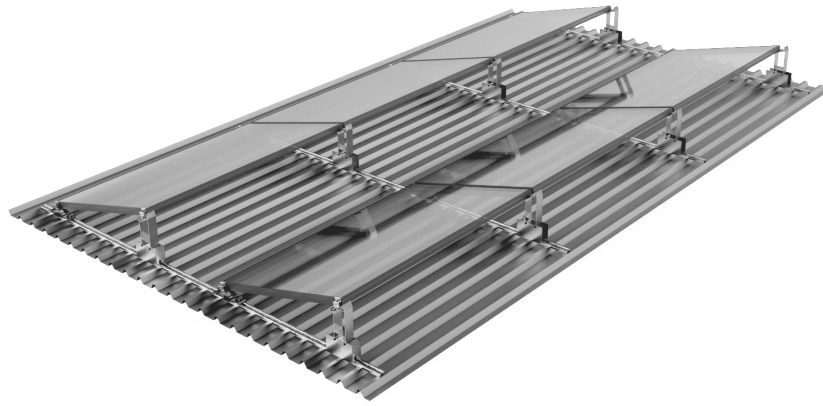




mounting  
systems



## Trapeze-S ProLine

<b>Application</b>	On-roof
<b>Roof cladding</b>	Trapezoidal sheet
<b>Min. sheet thickness</b>	Steel: 0.4 mm Aluminium: 0.4 mm
<b>Min. bead height</b>	From 20 mm
<b>Roof slope</b>	Up to 20°
<b>Building height</b>	Up to 20 m
<b>PV-Modules</b>	Framed, frameless
<b>Module width</b>	950 – 1052 mm
<b>XL version 10°</b>	1030 – 1134 mm with additional rail
<b>XL version 15°</b>	1134 mm with additional rail
<b>Module orientation</b>	Landscape
<b>Module inclination</b>	10° or 15°
<b>Standards</b>	Eurocode 1 – Action on structures Eurocode 9 – Design of aluminium structures
<b>Supporting profiles</b>	Extruded aluminium profiles (EN AW 6063 T66)
<b>Small parts</b>	Stainless steel (V2A)
<b>Colour</b>	Aluminium: plate finish
<b>Warranty</b>	10 years



On-roof



Framed  
modules



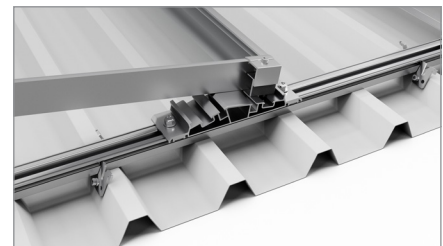
Frameless  
modules



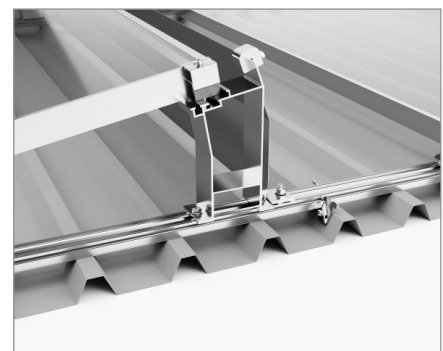
Landscape  
orientation



Trapezoidal sheet



Front Support



Back support

