

1722×1134×35/30 182×91

Dimensions (mm)

Cell size (mm)

108CELL

425-445W_p

Mono TOPCon

Power output

1500V DC

22.78%

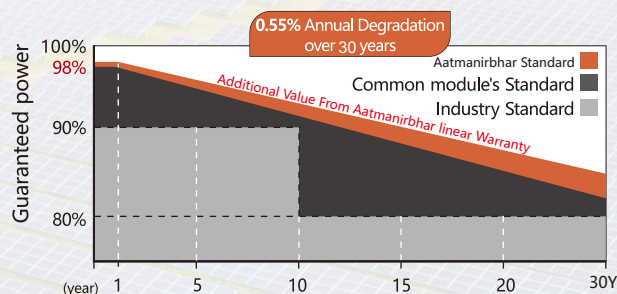
Max. system voltage

Max. efficiency

Quality Guarantee

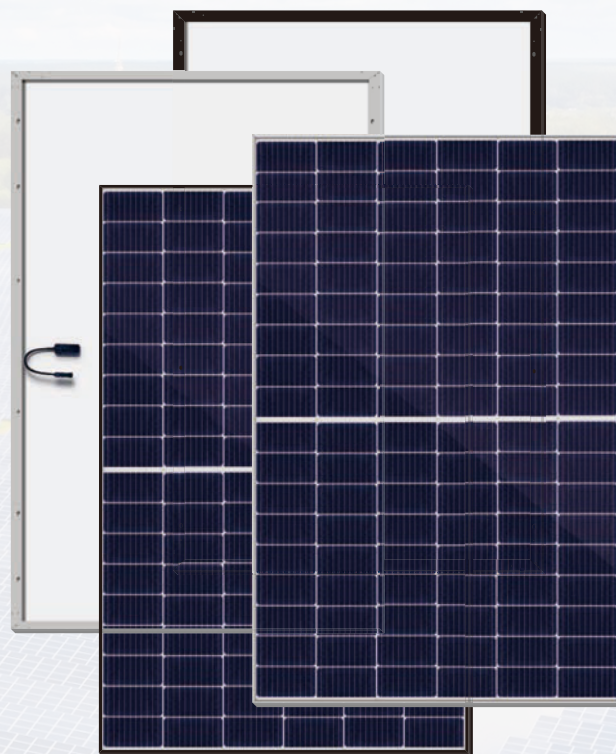
12-Years Material & technology warranty

30- Years Linear power output warranty



▶ Aatmanirbhar solar Liner power Output Guarantee

▶ Standard Liner Power Output Guarantee



KEY FEATURES



Higher Power Output

Module power increases by 5-25% generally, bringing significantly lower LCOE and higher IRR. 0-5w positive tolerance output warranty.



ZERO LID

N-Type cell is characterized by "0" LID, which generates more power



PID Resistance

Excellent Anti-PID performance guarantee via optimized mass-production process and material control.



Optimal Choice for Ultra-large Power Plants

Contribute to Lower BOS cost and LCOE.



Durability Against Extreme Environmental Conditions

High salt mist and ammonia resistance, Lower temperature coefficient and operating temperature.



More Outstanding Low-light Performance

Higher power output even under low-light environments like on cloudy days



Enhanced Mechanical Load

Certified to withstand: wind load (2400 Pa) and snow load (5400 Pa).



EL Full Inspection

Three stage 100% EL Inspection warranting defect-free product.

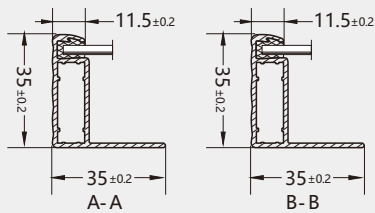
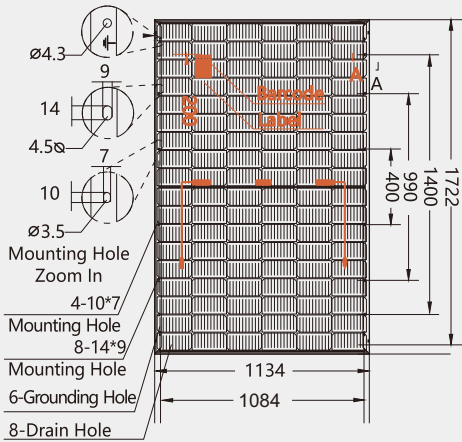
Reg. Office:

304 - Vraj Valencia, B/H, Mahindra Show Room,
S.G. Hwy, Sola, Ahmedabad, Gujarat 380060

Factory Address :

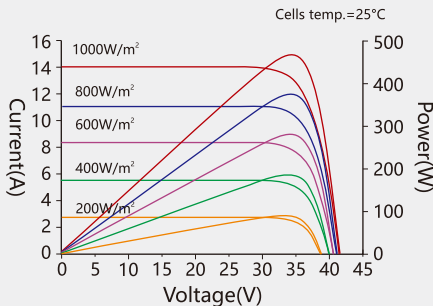
Survey No: 192, At Dudhathal Village, Taluko-Kapadvanj,
Dist.Kheda, Pin 387 620, Gujarat, India.

Dimensions of PV Module

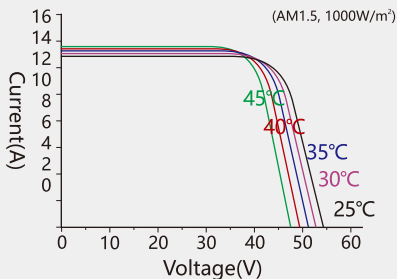


ASPL-435W-182MP108

I-V characteristics at different irradiances



I-V characteristics at different temperatures



ELECTRICAL CHARACTERISTICS (STC*)

Model Number	RM-425W-182M/108T	RM-430W-182M/108T	RM-435W-182M/108T	RM-440W-182M/108T	RM-445W-182M/108T
Rated Power in Watts-Pmax(Wp)	425	430	435	440	445
Open Circuit Voltage-Voc(V)	38.75	38.95	39.16	39.38	39.59
Short Circuit Current-Isc(A)	13.66	13.73	13.80	13.86	13.93
Max. Power Voltage-Vmpp(V)	32.18	32.38	32.59	32.81	33.02
Max. Power Current-Impp(A)	13.21	13.28	13.35	13.41	13.48
Module Efficiency(%)	21.76	22.02	22.28	22.53	22.78
Maximum system voltage	1500V DC				
Fuse Rating(A)	25				
Temperature coefficient Pmax	-0.29%/°C				
Temperature coefficient Isc	0.045%/°C				
Temperature coefficient Voc	-0.25%/°C				

*STC: Irradiance 1000W/m², module temperature 25°C, AM=1.5

WORKING CHARACTERISTICS (NOCT*)

Model Number	RM-425W-182M/108T	RM-430W-182M/108T	RM-435W-182M/108T	RM-440W-182M/108T	RM-445W-182M/108T
Rated Power in Watts-Pmax(Wp)	320	323	327	331	335
Open Circuit Voltage-Voc(V)	36.81	37.00	37.20	37.41	37.61
Short Circuit Current-Isc(A)	11.03	11.09	11.14	11.19	11.25
Max. Power Voltage-Vmpp(V)	29.99	30.10	30.33	30.56	30.76
Max. Power Current-Impp(A)	10.67	10.73	10.78	10.83	10.89
Power tolerance	0~+3%				
NOCT	45°C±2°C				
Operating Temperature	-40°C~85°C				

*NOCT: Irradiance 800W/m², ambient temperature 20°C, wind speed 1m/s

MECHANICAL CHARACTERISTICS

Number of cells	108pcs
Size of cell(mm)	182×91
Type of cell	N-TOPCon Mono
Thickness of glass(mm)	3.2
Junction box	IP68
Type of frame	Anodized Aluminum Alloy, Silver/Black Color
Size of module(mm)	1722×1134×35/30
Weight(kg)	21.5
Cables/connectors	4.0mm², MC4 compatible
Length of Cable	+300mm/-300mm (connector included)

PACKAGING CONFIGURATION

Height of Modules (mm)	35	30
Number of Modules Per Pallet	31	36
Packaging Box Dimensions (l×w×h) (mm)	1750×1120×1260	1750×1120×1260
Box Gross Weight (kg)	706	803
Number of Modules Per 40ft (HQ) Container	806	936
Number of Pallets Per 40ft (HQ) Container	26	26

