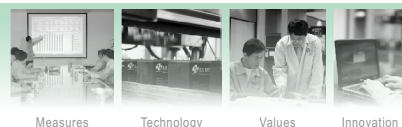


VRLA Rechargeable Battery

BPX7-12



FEATURES

- Maintenance free(no water topping-up required)
- No free acid(Non-spillable battery)
- Can be used in any orientation(excluding used inverted)
- Absorbent Glass Mat technology for efficient gas recombination


APPLICATION

- UPS
- Laboratory Equipment
- Toy-Cars
- Power Packs
- Fishing Lights




SPECIFICATIONS

Nominal Voltage	12 V
Nominal Capacity	7.00Ah @ 20 hour rate F.V.(1.75V/cell)
Approx. Weight	2370g(5.22lbs.)
Terminals	T2 (Faston Tab 250) T1 is optional
Internal Resistance	≤27mΩ (Fully Charged)
Max. Discharge Current	105 A (5 sec.)
Max. Charge Current	2.1 A
Operating Temperature Range	Charge: 0°C~40°C(32°F~104°F) Discharge: -20°C~50°C(-4°F~122°F) Storage: -20°C~40°C(-4°F~104°F)
Container Material	Standard: ABS(UL94 HB) BPX7-12 Optional: Flame Retardant ABS(UL94 V-0) BPX7-12FR

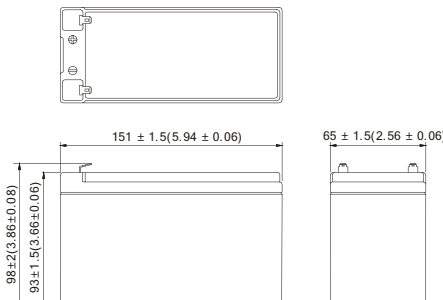
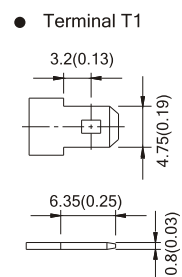
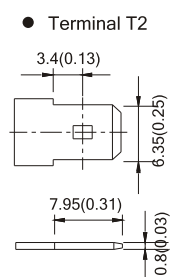


MH19884



C4M20310-2474-E-16

- IEC 61056-1
- JIS C 8702-1
- GB/T 19639.1

DIMENSION(mm/inch)	OUTER DIMENSIONS	TERMINAL TYPE
<p>■ Length</p> <p>151±1.5 (5.94±0.06)</p> <p>■ Width</p> <p>65±1.5 (2.56±0.06)</p> <p>■ Container Height</p> <p>93±1.5 (3.66±0.06)</p> <p>■ Total Height</p> <p>98±2.0 (3.86±0.08)</p>		<p>● Terminal T1</p>  <p>● Terminal T2</p> 

Constant power discharge characteristics at 25 °C/77 °F Unit: W

F.V. (V/cell) \ Discharge Time	5 Min	10 Min	15 Min	30 Min	1 Hr	3 Hr	5 Hr	10 Hr	20 Hr
1.80V	253	186	149	88.8	50.9	20.40	14.07	7.86	4.14
1.75V	293	202	156	92.2	52.5	20.81	14.28	7.98	4.20
1.70V	311	209	161	94.3	53.4	21.00	14.36	8.02	4.22
1.65V	325	214	165	95.6	54.1	21.15	14.41	8.04	4.24
1.60V	336	218	168	96.6	54.6	21.27	14.45	8.04	4.24

Constant current discharge characteristics at 25 °C/77 °F Unit: A

F.V. (V/cell) \ Discharge Time	5 Min	10 Min	15 Min	30 Min	1 Hr	3 Hr	5 Hr	10 Hr	20 Hr
1.80V	22.8	16.4	13.0	7.53	4.28	1.70	1.172	0.655	0.345
1.75V	26.9	17.8	13.6	7.81	4.41	1.73	1.190	0.665	0.350
1.70V	28.6	18.4	14.0	7.99	4.49	1.75	1.196	0.668	0.352
1.65V	29.8	18.8	14.3	8.11	4.54	1.76	1.201	0.670	0.353
1.60V	30.8	19.2	14.6	8.19	4.59	1.77	1.204	0.670	0.353

All data and artworks shall be changed without prior notice, BB reserves the right to explain and update the information contained hereinto.

For operation, please refer to the instruction from technical manual.

A/5 REV. Aug. 2021

Powered by **B.B. Tech(Changsha)Co., Ltd.**