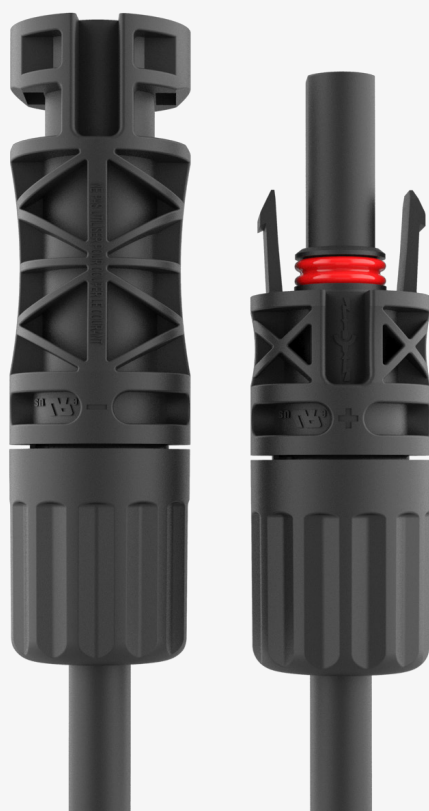


产品规格书

Product Specification



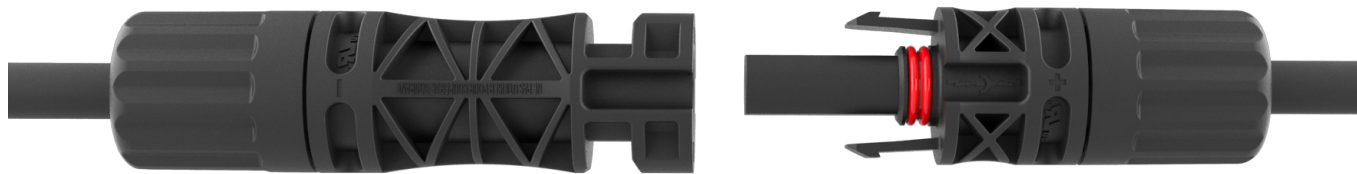
QC4.10-mate

承认签章 (Confirmation)					
快可承认 (QC Solar confirmation)			客户承认 (Customer confirmation)		
批准 Approved by	审核 Audited by	设计 Designed by	采购 Purchased by	品保 Quality Assured by	技术 Technical verified by

目录

01/ 产品外观及设计性能参数 / Product appearance and technical parameters ·····	01
02/ 连接器 BOM 清单 / Connector BOM List ·····	03
03/ 连接器图纸 / Drawing of connector ·····	04
04/ 连接器证书 / Certificates of connector ·····	06

1. 产品外观及设计性能参数 / Product appearance and technical parameters



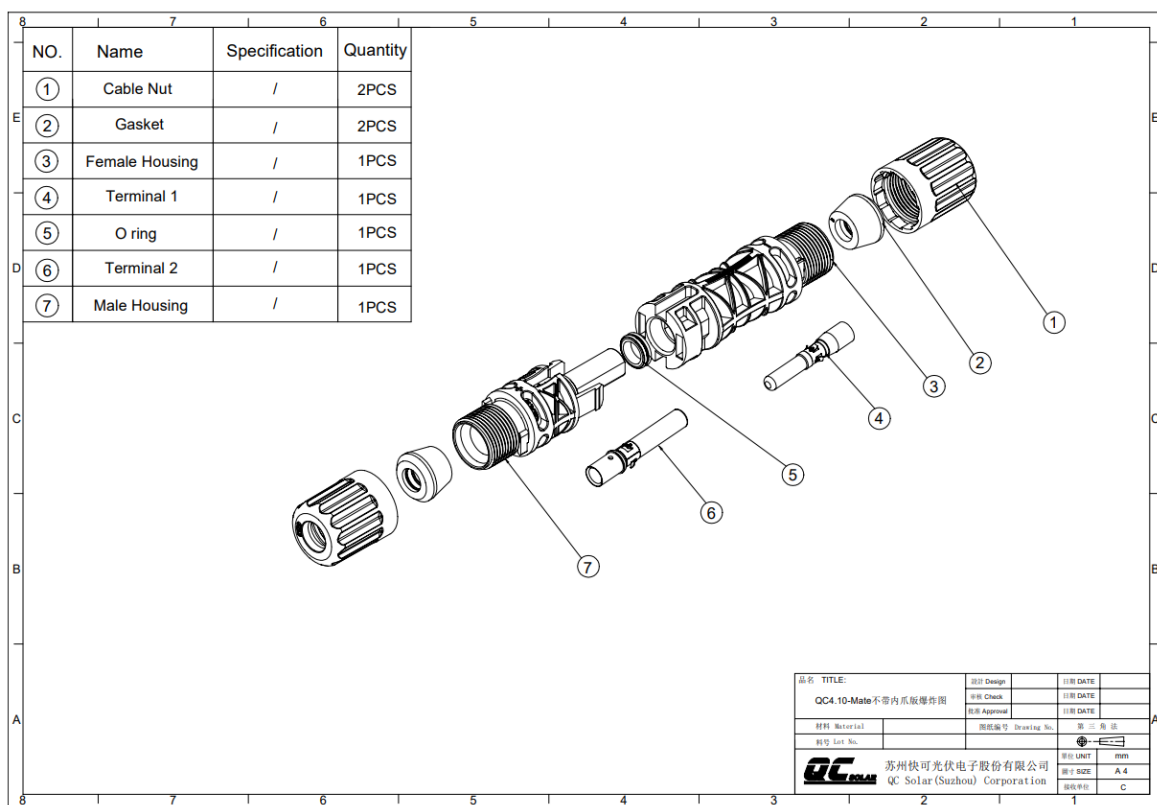
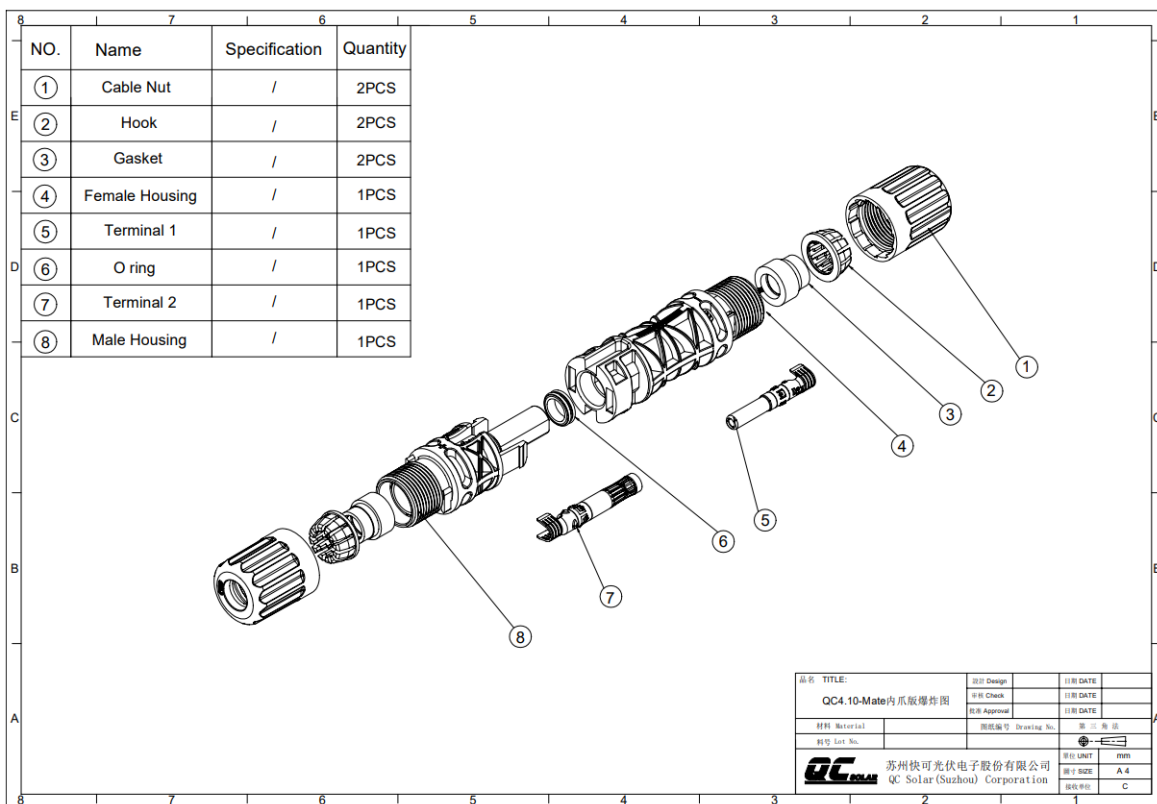
技术参数 Product Specifications

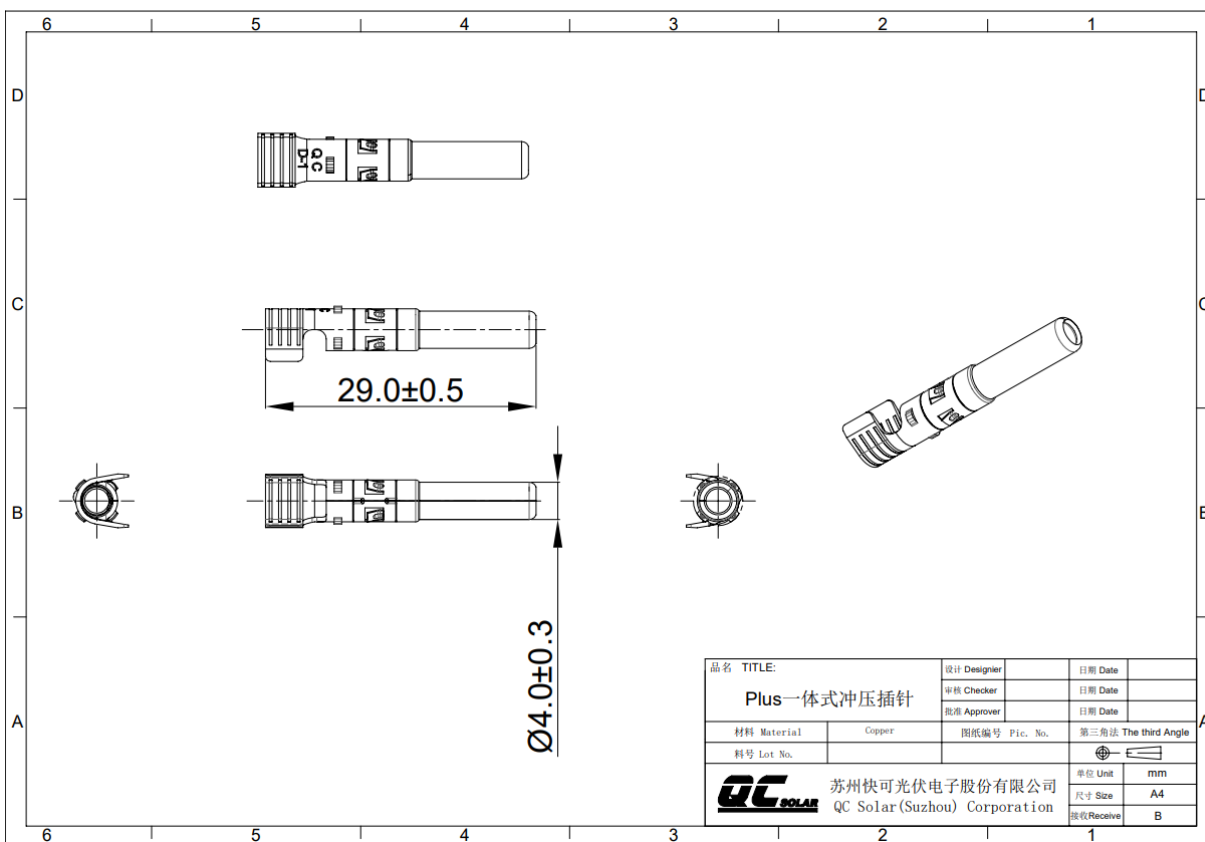
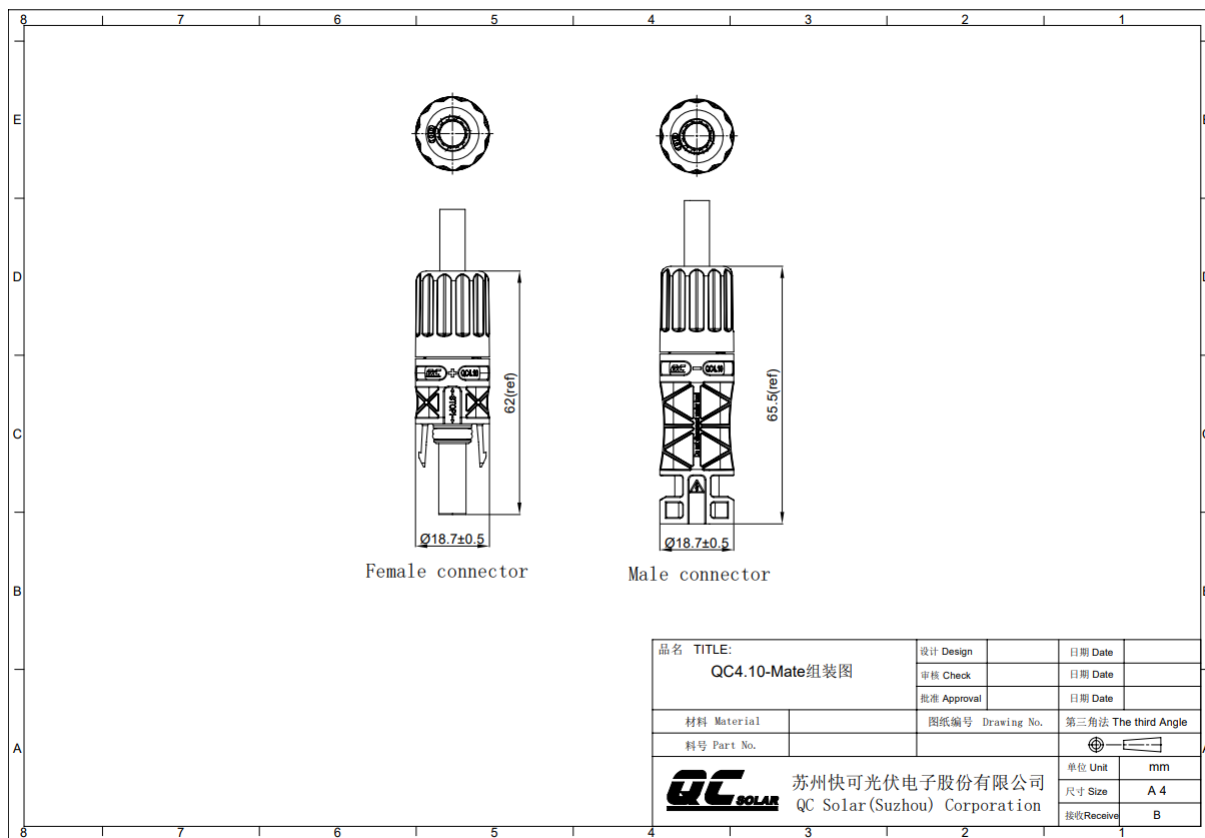
认证 Certificate	TUV	UL
名称 Product Name	QC4.10-mate	QC4.10-mate
认证型号 Certified Model	QC4.10-efs	QC4.10-a6CDEf2g1H
额定电压 Rated Voltage	IEC2000V	UL2000V
额定电流 Rated Current	41A for 2.5mm ² 46A for 4.0mm ² 55A for 6.0mm ² 70A for 10.0mm ²	30A for 14AWG 35A for 12AWG 50A for 10AWG
线缆规格 Cable Specification	OD 4.7~8.7mm, 2.5mm ² , 4.0mm ² , 6.0mm ² , 10mm ²	OD 4.7~7.6mm, 14AWG, 12AWG, 10AWG
防护等级 IP degree	IP65/IP68(1m,1h)	N/A
安全等级 Protection Class	Class II	N/A
接触电阻 Resistance of Connector	Max 0.2mΩ	Max 0.2mΩ
防火等级 Flammability Class	UL94 V-0	UL94 V-0
温度范围 Temperature Range	-40°C~ +85°C	-40°C~ +85°C
Caution	"Do Not Disconnect Under Load: PV plug connections must not be disconnected while under load. They can be placed in a no load state by switching off the DC/AC converter or breaking the AC circuit" .	N/A

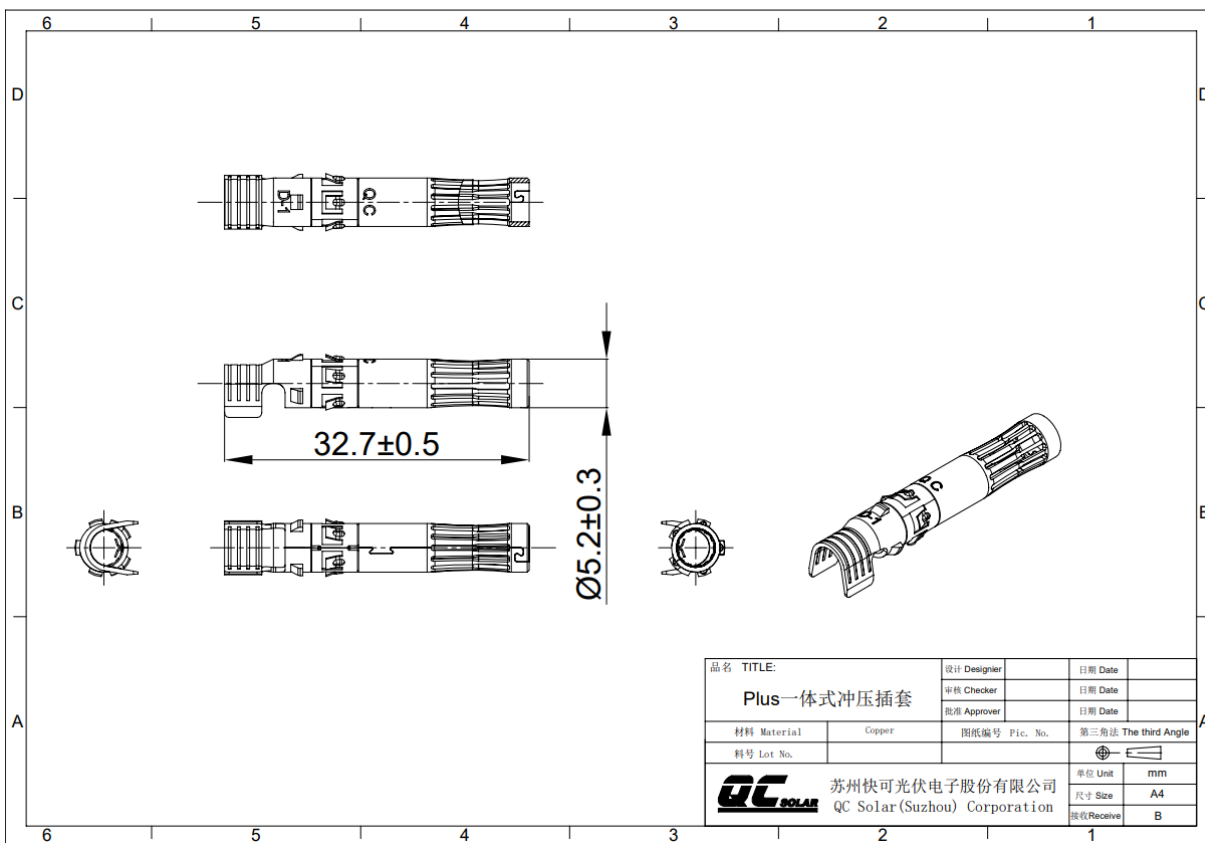
2. 连接器BOM清单 / Connector BOM List

苏州快可光伏电子股份有限公司 QC Solar (Suzhou) Corporation					
产品名称 Product Name	连接器 Connector	材料清单 Bill Of Materials		版本 Version	A/0
产品型号 Model	QC4.10-mate			张数 Page	1
客户 Customer	/			发行日期 Version Date	2023.02.25
序号 S/N	名称 Description	材质 Material	生产厂商 Manufacturer	数量 Quantity	备注 Remark
1	正极本体 Female housing	PPE	QC Solar	1 pcs	
2	负极本体 Male housing	PPE	QC Solar	1 pcs	
3	后罩 Screw cap	PA	QC Solar	2 pcs	
4	内爪 Cable clamp	PA	QC Solar	2 pcs	选配
5	堵头 Sealing gasket	硅橡胶 Silicon rubber	QC Solar	2 pcs	规格一 :5.5-5.9 规格二 :5.8-6.2 规格三 :6.2-6.6 规格四 :6.6-7.0 规格五 :7.0-7.4 规格六 :7.2-8.7
6	M 型密封圈	硅橡胶 Silicon rubber	QC Solar	1 pcs	
7	冲压插针或 车削插针	铜镀锡 Tin-plated copper	QC Solar	1 pcs	
8	冲压插套或 车削插套	铜镀锡 Tin-plated copper	QC Solar	1 pcs	
以上原料符合欧盟 ROHS 要求 All the materials above are subject to RoHS requirement.					
制表: Written By:		审核: Reviewed By:		批准: Approved By:	

3. 连接器图纸 / Drawing of connector







4.连接器证书 / Certificates of connector



快速可靠, 成就客户!

Quick and reliable, QC Solar devotes to satisfying customers.



苏州快可光伏电子股份有限公司

QC Solar (Suzhou) Corporation

 中国苏州工业园区新发路 31 号 (No.31,Xinfa Road,SIP,Suzhou,China, 215123.)

 0086-0512-62603392

 market@quick-contact.com

 www.quick-contact.com



快可官方微信