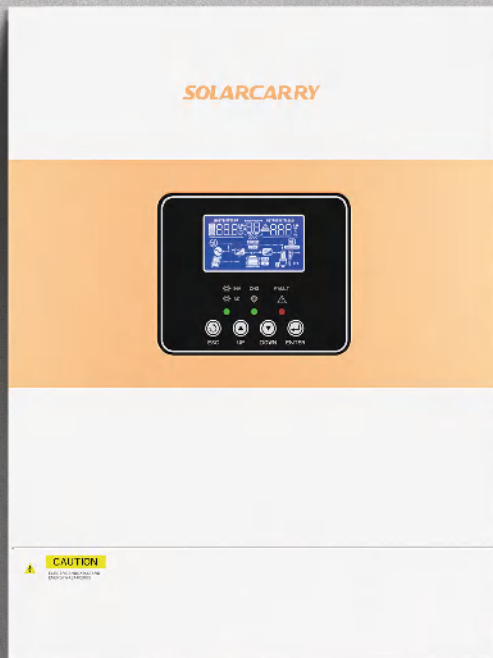


Hybrid parallel inverter

Support lithium battery charge
and discharge management

SC HF 5500-48 PLUS



Solar
Power



PC



TV



Fridge



Electric
fan



PVP



AC



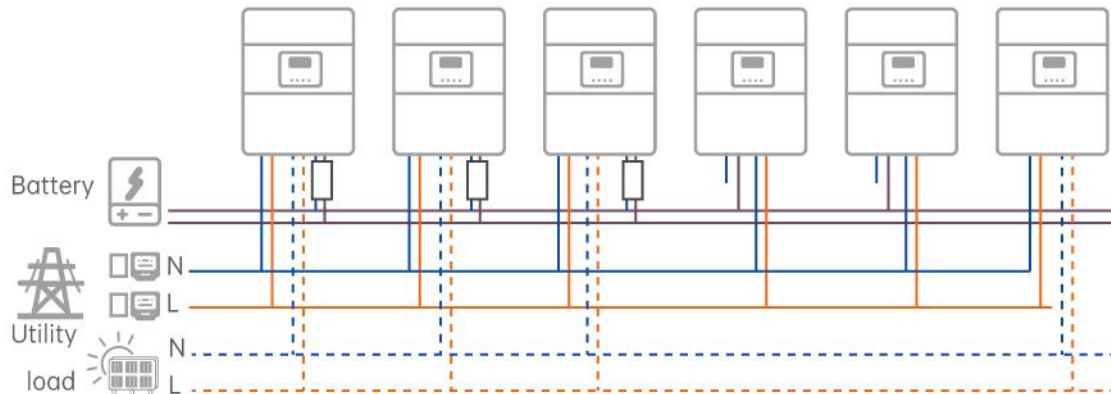
FM
Radio

Support three-phase mode

Support grid connection mode

Max 6 units can be used in parallel

- Single-phase hybrid solar inverter.
- Optional Wifi module , supports remote App monitoring.



Specifications

Technical Parameters

Model	SC HF 5500-48 PLUS
Rated Power	5500VA/5500W
Parallel function	support (up to 6 units)

input and output parameters

Voltage	230VAC
Optional Voltage Range	170~280VAC(personal computer) 90~280VAC (household appliances)
Frequency Range	50Hz/60Hz (adaptive)
AC Voltage Regulation	230V AC±5%
Surge Power	11000VA
Peak efficiency	93.5%
Switching time	10ms(For PC) 20ms(For Home Appliances)
Waveform	Pure Sine Wave

Battery parameters

Battery type	Lead acid + Lithium battery
Battery voltage range	42~60V
Charging curve	Three-Stage
Lithium battery-charging strategy	Adaptive to lithium battery

Photovoltaic Charging & AC Charging

Maximum photovoltaic power	5500W
Maximum PV open circuit voltage	120~450V DC
MPPT Range & Working Voltage	500VDC
Maximum Solar Charging Current	100A
Maximum AC charging current	60A
Solar Charger Type	MPPT

General parameters

Product size(mm)	302*490*110
Package size(mm)	346*536*178
Net Weight(kg)	9.7
Communication Interface	RS232/RS485CAN/ Dry contact
Relative Humidity	5%to95%
Operating Temperature	-10°Cto50°C
Storage Temperature	-15°Cto60°C